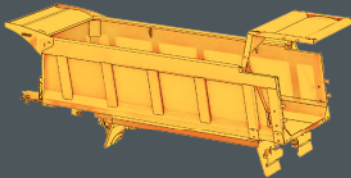


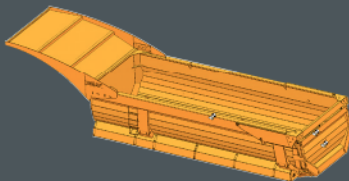
# BODY TYPE

## SQUARE (ROCK)



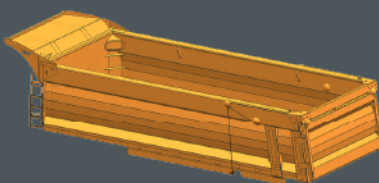
Type	Square model for heavy rock	
	<b>HD 5395 TS</b>	<b>HD 5380 T</b>
Volume	± 40m <sup>3</sup> (liquid) <sup>1</sup>	± 34m <sup>3</sup> (liquid) <sup>1</sup>
Cilinders	Two under body	One cilinder front
Canopy	Canopy over equipment behind cab / over full cab	
Tipping up	Tipping up ± 40sec	
Tipping down	Tipping down ± 29sec	
Floor	Sandwich, 8mm S355, 20mm rubber, 10mm 450HB	
Stabilisor	Scissor stabiliser, form maximised stability during tipping	
Opening back	Rear hatch opening by hydraulic cylinders. Rear hatch locked to keep it in place, opened by same cylinder as hatch	
Color:	Same as cabin, target payload and volume indicated at the side	
Safety:	Hyfix system to lock body on to chassis in lowered position Safety body props to be used when service is being applied	

## HALF PIPE



Type	Half pipe shape for several types of ore	
	<b>HD 5395 TS</b>	<b>HD 5380 T</b>
Volume	± 32m <sup>3</sup> (liquid) <sup>1</sup>	± 27m <sup>3</sup> (liquid) <sup>1</sup>
Cilinders	Two under body	One cininder front
Canopy	Canopy over equipment behind cab / over full cab	
Tipping up	Tipping up ± 40sec	
Tipping down	Tipping down ± 29sec	
Material	Hardox 450 8mm, last 2.500mm from floor 10mm	
Stabilisor	Scissor stabiliser, form maximised stability during tipping	
Opening back	Rear hatch automated opening with chain 8mm Hardox 450, rear hatch slides into locks to keep it in place	
Color:	Same as cabin, target payload and volume indicated at the side	
Safety:	Hyfix system to lock body on to chassis in lowered position Safety body props to be used when service is being applied	

## MULTI BENDED



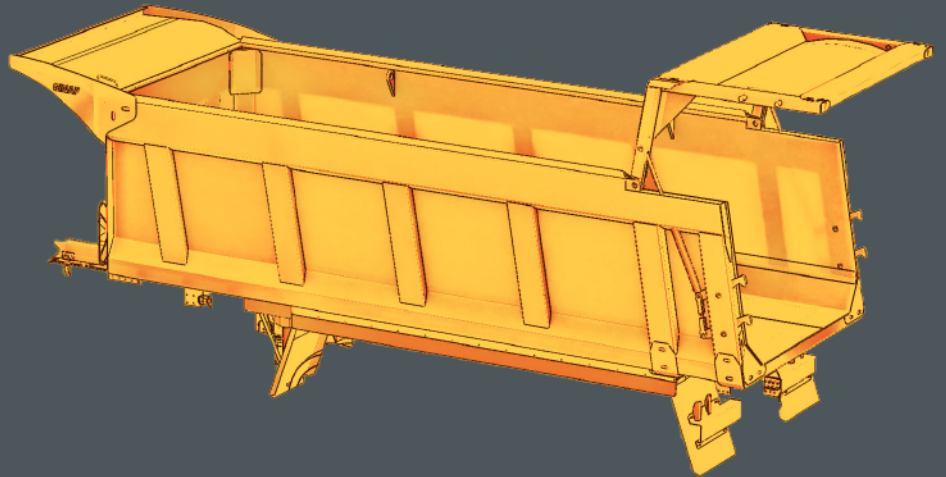
Type	Multi bended model for relative light materials	
	<b>HD 5395 TS</b>	<b>HD 5380 T</b>
Volume	± 40m <sup>3</sup> (liquid) <sup>1</sup>	± 30m <sup>3</sup> (liquid) <sup>1</sup>
Cilinders	Two under body	One cilinder front
Canopy	Canopy over equipment behind cab / over full cab	
Tipping up	Tipping up ± 40sec	
Tipping down	Tipping down ± 29sec	
Material	Hardox 450 10mm, last 2.500mm from floor 10mm	
Stabilisor	Scissor stabiliser, form maximised stability during tipping	
Opening back	Rear hatch automated opening with chain 6mm Hardox 450, rear hatch slides into locks to keep it in place	
Color:	Same as cabin, target payload and volume indicated at the side	
Safety:	Hyfix system to lock body on to chassis in lowered position Safety body props to be used when service is being applied	

<sup>1</sup> Adaptable to customer requirements



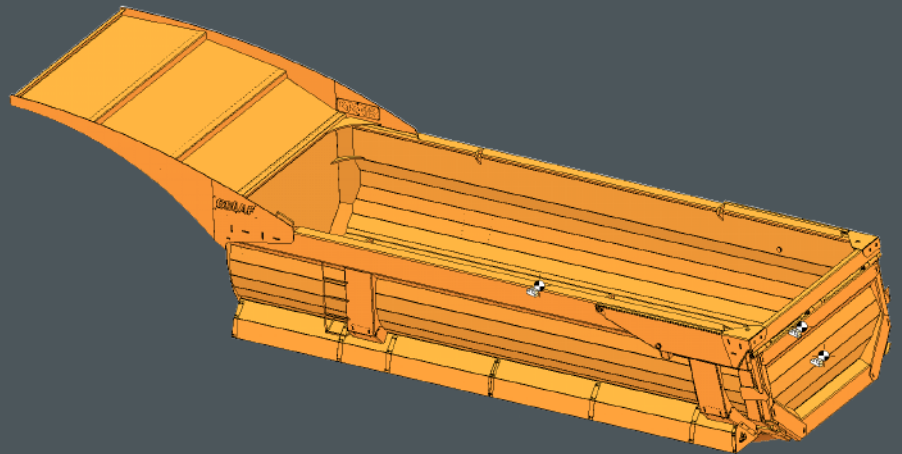
# BODY TYPE

## SQUARE (ROCK)



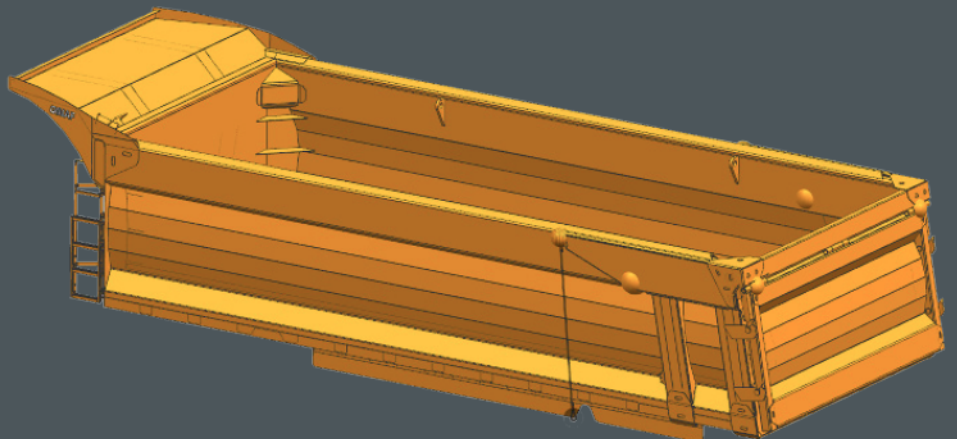
Liquid Volume	
HD 5380 T	± 34m <sup>3</sup>
HD 5395 TS	± 40m <sup>3</sup>

## HALF PIPE



Liquid Volume	
HD 5380 T	± 27m <sup>3</sup>
HD 5395 TS	± 32m <sup>3</sup>

## MULTI BENDED



Liquid Volume	
HD 5380 T	± 30m <sup>3</sup>
HD 5395 TS	± 40m <sup>3</sup>

