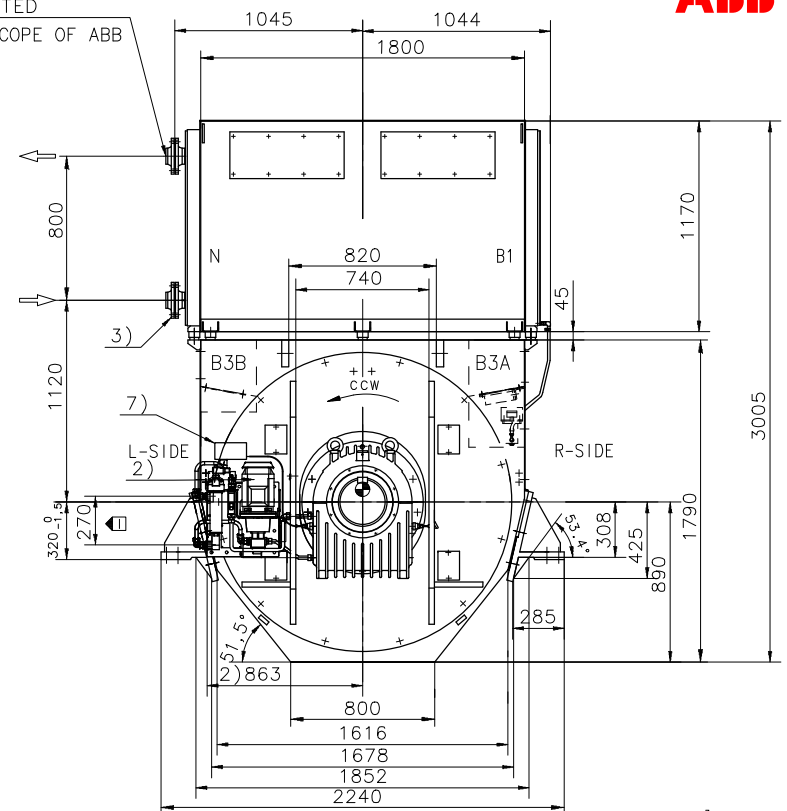
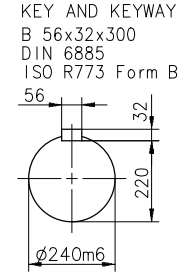
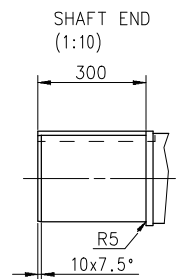
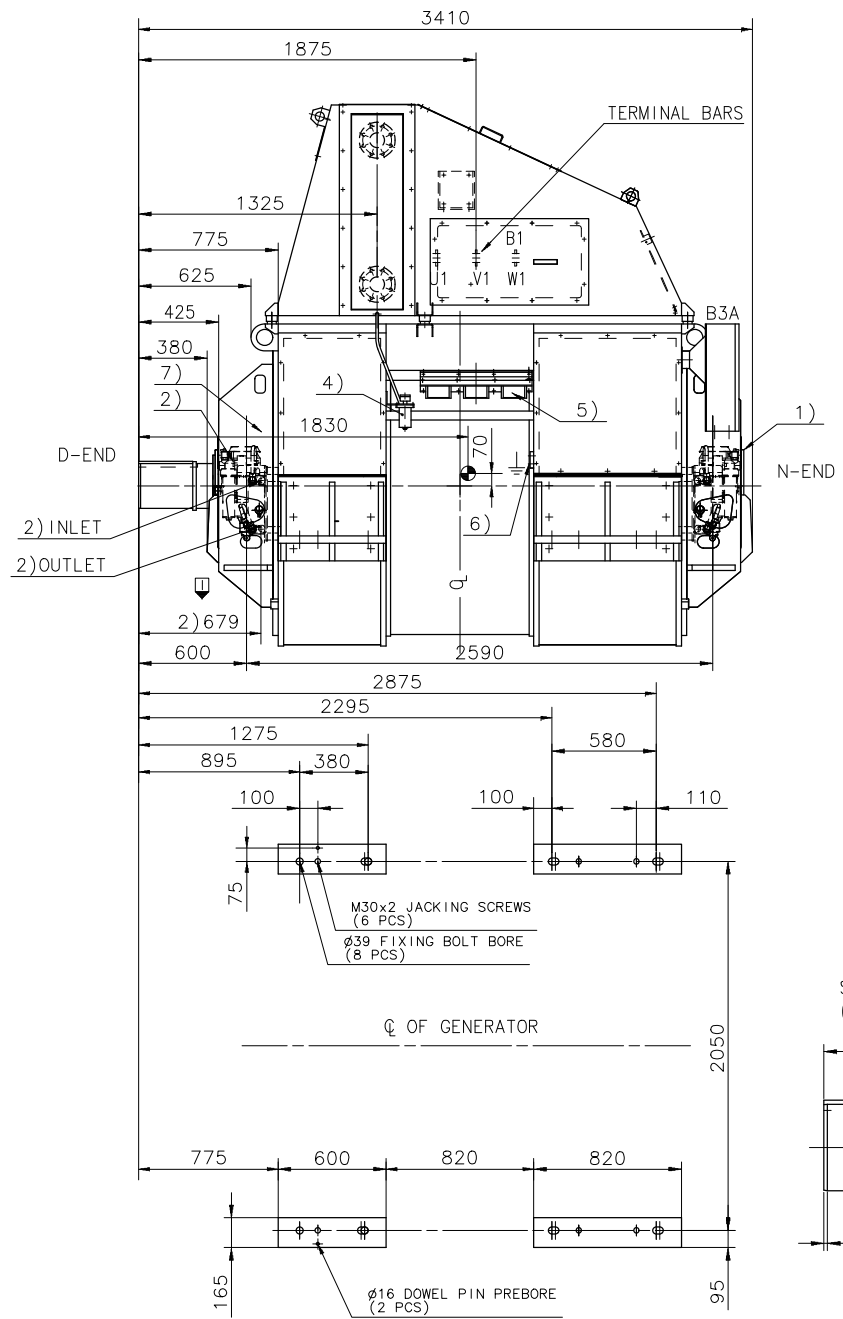


COPY - 工事使用不可

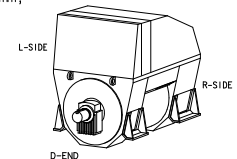


Checked by Vojtech Liska
BUU Marine NO - Billingslad
2015-11-10

FLEXIBLE CONNECTION
TO BE MOUNTED
NOT IN THE SCOPE OF ABB



- 1) OIL CIRCULATION UNIT, OIL ISO VG 68, OIL CAPACITY 23dm³
OIL FLOW 4.5 dm³/min. TO n-BEARING
 - 2) OIL CIRCULATION UNIT, OIL ISO VG 68, OIL CAPACITY 23dm³
OIL FLOW 14 dm³/min. TO D-BEARING
WATER INLET MAX.38°C, WATER CONNECTION ON L-SIDE
COUNTER FLANGES DN15, DIN 2633
WATER FLOW 8 dm³/min TO D-BEARING COOLER
 - 3) DOUBLE TUBE COOLER
FLANGES DN80 PN16 DIN 2633, L-SIDE, WITH COUNTER FLANGES
WATER FLOW 19 m³/h, 38°C
PRESSURE DROP <22 kPa, MAX. PRESSURE 0,6 MPa
 - 4) LEAKAGE WATER DETECTOR
 - 5) ROXTEC CABLE GLANDS FOR MAIN TERMINAL FOR CABLE ø28...54mm;
NON DRILLED ALUMINIUM PLATE FOR NEUTRAL POINT
 - 6) EARTHING POINTS ON BOTH SIDES OF GENERATOR 2XM16
 - 7) CAPILLARY THERMOMETER
- AXIAL PLAY 0,3...0,72 mm
B1 MAIN TERMINAL R-SIDE, NEUTRAL POINT L-SIDE
B3A TERMINAL BOX FOR ACCESSORIES, R-SIDE
B3B TERMINAL BOX FOR TEMPERATURE SENSORS, L-SIDE



No.1 Main generator : 651.175.01
No.2 Main generator : 651.275.01
No.5 Main generator : 651.575.01
No.6 Main generator : 651.675.01

Customer ref. KH 1724 Island Off LOCV #1		Our ref. 5692HG401-404	Protection/Cooling IP44 / IC84IW7	Poles 10
Additional information				
Prepared 2014-05-19 Vinogradov, Igor	Separate part list with separate No. <input type="checkbox"/>	Title MAIN DIMENSIONS		
Reviewed 2014-05-19 Petuhhov, Vladislav	Responsible department DMMG/JTENG	Scale 1:20		
Approved 2014-05-19 Matsuo, Oliver	Original sig	Language EN		
Distribution AH 5692HG	Functional code AH 5692HG	Weight 20000	Type AMG 0900SM10 LSE	Mounting 1101
Document No. 3AFP9048648		Revision A2		
ABB BU Motors and Generators		1/1		

1	Lubrication unit dimensions corrected	2015-10-29	IGVI	VLPE	OLM1
Rev	Change	Date	Prep.	Rev.	Appr.

We reserve all rights in this document and in the information contained therein. Reproduction, use or disclosure to third parties without the prior written consent of ABB BU Motors and Generators is prohibited.
 Symbols for roughness according to ISO 1327.
 Symbols for linear and angular dimensions according to ISO 9013.
 Referential standards: SMDA 422, DIN 71881-1, DIN 71881-2, SMDA 431.