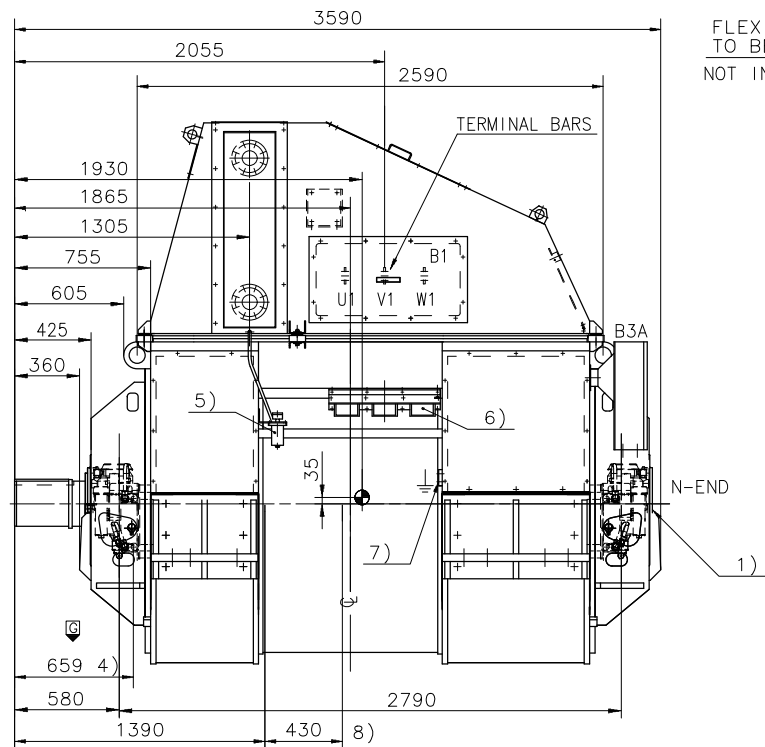


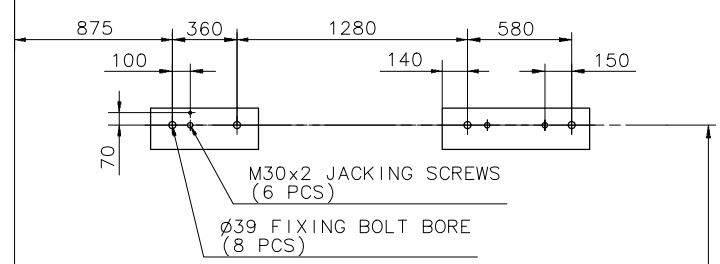
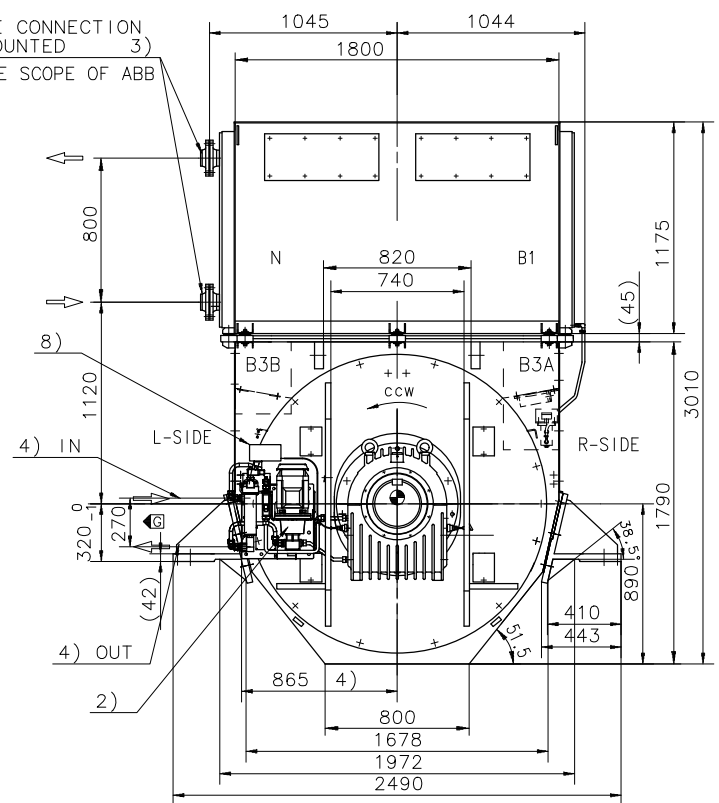
COPY - 工事使用不可



Checked by Vojtech Liska  
BUU Marine NO - Billingstad  
2015-11-10

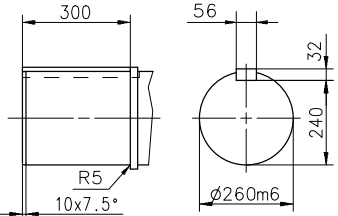


FLEXIBLE CONNECTION  
TO BE MOUNTED  
NOT IN THE SCOPE OF ABB

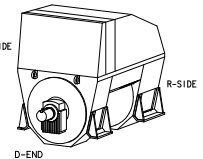


SHAFT END  
DIN 748  
SHORT SERIES  
(1:10)

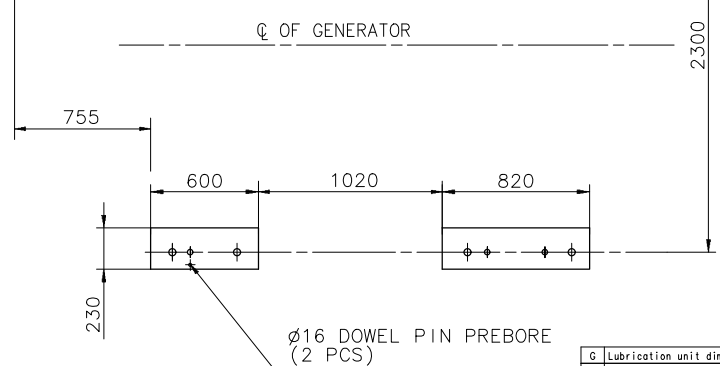
KEY AND KEYWAY  
B 56x32x300  
DIN 6885  
ISO R773 Form B  
(1:10)



- 1) OIL CIRCULATION UNIT, N-END BEARING, OIL ISO VG 68, OIL FLOW 4,7 dm<sup>3</sup>/min
  - 2) OIL CIRCULATION UNIT, D-END BEARING, OIL ISO VG 68 OIL FLOW 14,3 dm<sup>3</sup>/min
  - 3) DOUBLE TUBE COOLER  
FLANGES DN80, PN16, DIN 2633, WITH COUNTER FLANGES  
WATER FLOW 24 m<sup>3</sup>/h, 38 °C, PRESSURE DROP MAX. 0.22 bar  
MAX. OP.PRESSURE 6 bar
  - 4) COOLING WATER INLET/OUTLET FEMALE G3/4"  
WATER FLOW 10 dm<sup>3</sup>/min to D-BEARING COOLER
  - 5) LEAKAGE WATER DETECTOR
  - 6) ROXTEC CABLE GLANDS FOR MAIN TERMINAL FOR CABLES ø28...54mm  
NON DRILLED ALUMINIUM PLATE FOR NEUTRAL END
  - 7) EARTHING POINTS ON BOTH SIDES OF GENERATOR 2xM16
  - 8) CAPILLARY THERMOMETER
- AXIAL PLAY 0.30-0.72 mm



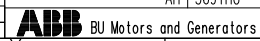
B1 MAIN TERMINAL R-SIDE, NEUTRAL POINT L-SIDE  
B3A TERMINAL BOX FOR ACCESSORIES, R-SIDE  
B3B TERMINAL BOX FOR TEMPERATURE SENSORS, L-SIDE



No.3 Main generator : 651.375.01  
No.4 Main generator : 651.475.01

G	Lubrication unit dimensions corrected	2015-10-29	IGV1	VLPE	OLM1
Rev	Change	Date	Prep.	Rev.	Appr.

Customer ref. KH 1724 Island Off LOCV #1	Our ref. 5691HG401-402	Protection/Cooling IP44 / IC84IW7	Poles 10
Additional information			Scale 1:20
Prepared 2014-05-16 Vinogradov, Igor	Separate part list with separate No.	Title MAIN DIMENSIONS	
Reviewed 2014-05-16 Petuhov, Vladislav	Responsible department DM/MC/JT/ENG	Language EN	
Approved 2014-05-16 Matsuo, Oliver	Original sig	Revision Sheet	
Distribution AH 5691HG	Functional code AH 5691HG	Weight 21250	Mounting Size 1101 A2
Type AMG0900MR10LSE		Document No. 3AFP9048581	Revision Sheet G 1/1



We reserve all rights in this document and in the information contained therein. Reproduction, use or disclosure to third parties without the prior written consent of ABB BU Motors and Generators is prohibited.

Symbols for roughness according to ISO 1302  
SDA1 A31

General instructions for linear and angular dimensions are given in the general part of the drawing.

Referential standards SDA 422, DIN 71851.1, DIN 71681.2