

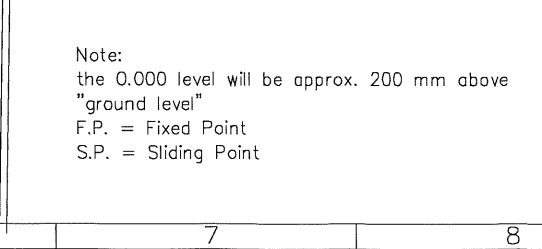
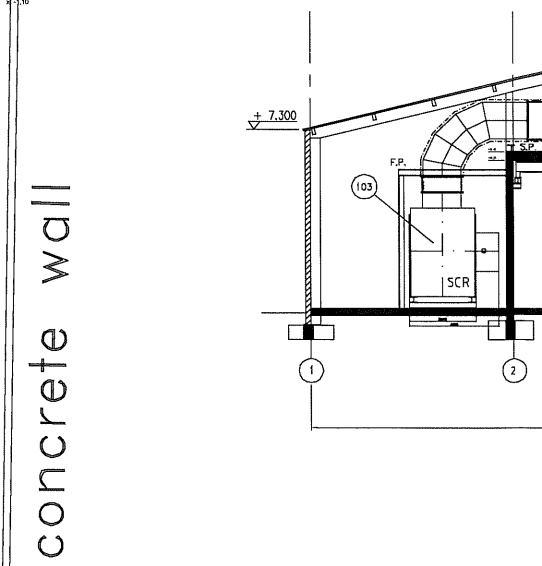
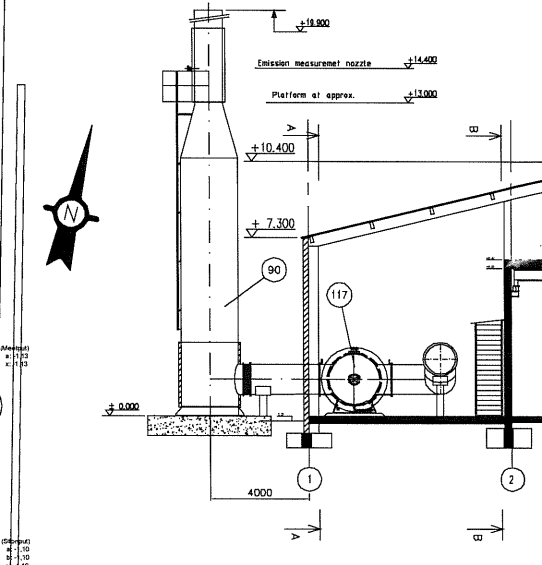
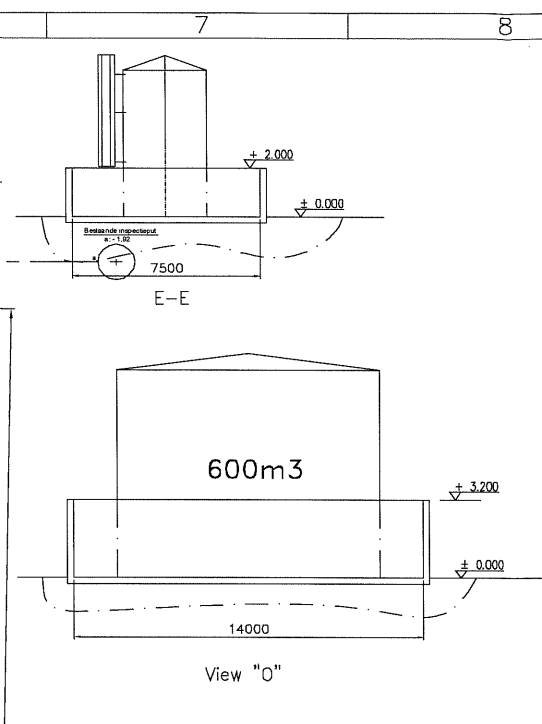
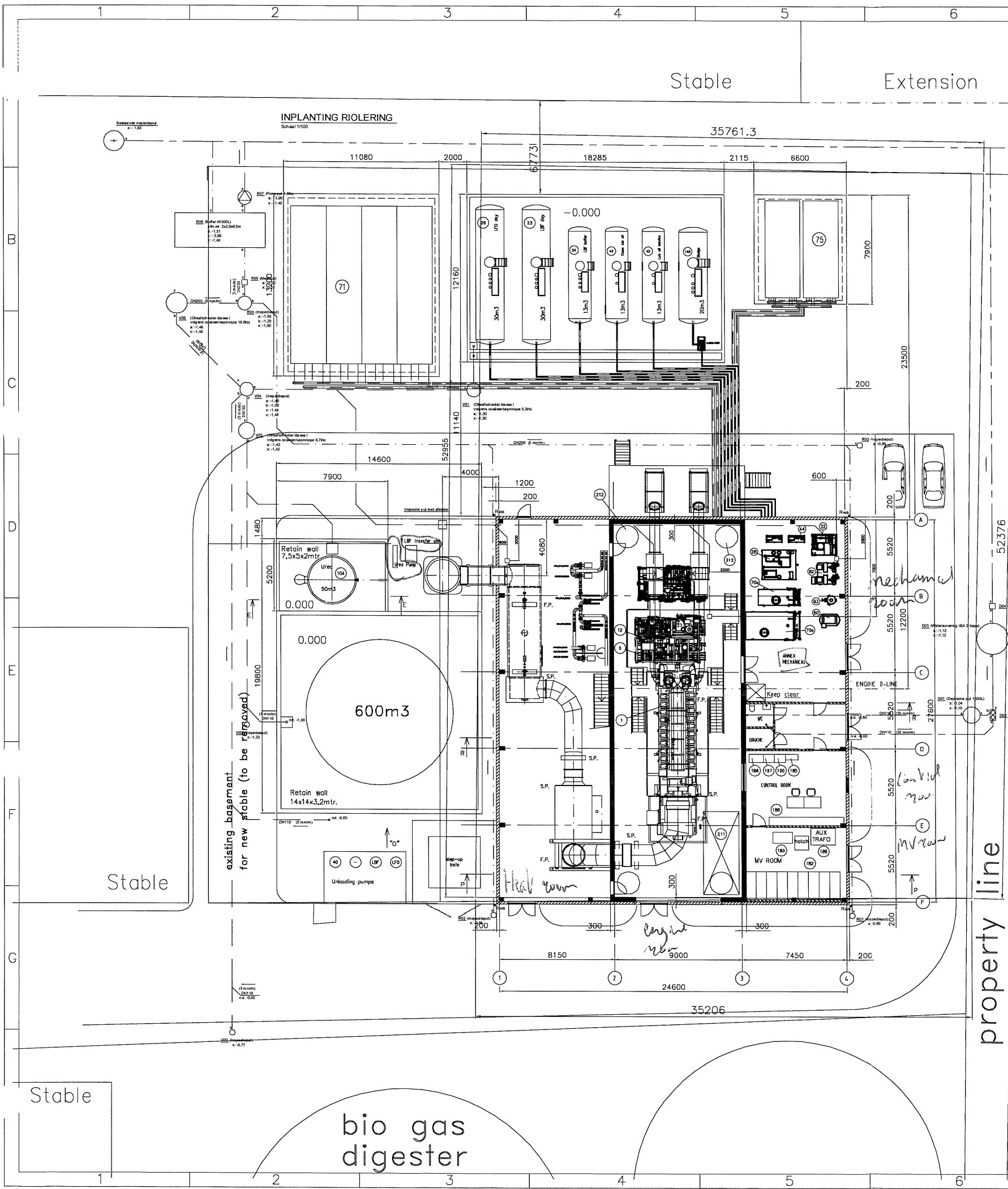
ITEM NO.	PCS.	CODE	NAME	WEIGHT/kg Incl. liquids	MOUNTING LEVEL (Floor level)
1	1	SQA 011	Engine generator set W20V32		+0.000
5	1	MOD 011	Engine auxiliary module		+0.000
12	1	PCA 011	Fuel oil module (Compact Booster Unit)		+0.000
-	-	-	-	-	-
22	1	PBB 901	Fuel oil separator		+0.000
23	1	PBC 901	LBF day tank 30m3		+0.000
24	1	PBA 901	LBF buffer tank 13m3		+0.000
26	1	PBF 901	LFO day tank 30m3		+0.000
28	1	PCA 901	Feeder unit		+0.000
40	1	QAA 901	LO unloading pump unit		+0.000
42	1	QAC 901	Clean lube oil tank 13m3		+0.000
43	1	QAD 901	Lube oil service 13m3		+0.000
44	1	QAE 901	LO transfer pump unit from 13m3 tank to engine		+0.000
-	-	-	-	-	-
46	1	QBB 011	Lube oil separator unit		-
60	1	TCA 901	Working air unit		+0.000
62	1	TSA 901	Starting air unit		+0.000
63	1	TSB 901	Starting air bottle 1m3		+0.000
70a	1	VBA 902	Maintenance water tank 4 m3		+0.000
70b	1	VBA 901	Maintenance water tank 10 m3 (Glycol)		+0.000
71	4	VCA 011	Engine cooling radiator		-
72	1	VEA 012	LT-water expansion vessel-1200L (glycol)		-
73	1	VEA 011	HT-Jacket water expansion vessel-600L		+6.300
-	-	-	-	-	-
75	2	RWR 011	Boiler cooling radiator		+0.000
90	1	NHA 010	Exhaust gas silencer		+0.000
103	1	YBA 011	SCR (DeNox)		+0.000
104	1	YAB 901	Urea tank 50m3		+0.000
117	1	RWA 011	Exhaust gas boiler		+0.000
145	1	DDB 901	Sludge tank 20m3		+0.000
182	-	-	MV-Switchgear		+0.000
183	1	BAN 901	Neutral point cubicle		+0.000
185	-	BEY 901	DC system		+0.000
186	-	BFA 901	LV-Switchgear		+0.000
189	1	BFB 901	Station transformer		+0.000
190	1	-	Privo Control panel		+0.000
196	1	CFA 901	Control panel, common		+0.000
197	1	CFC 011	Control panel, engine wise		+0.000
210	2	NGA 010	Air intake filter		+0.000
211	1	-	Ventilation unit		+0.000
212	1	-	Ventilation outlet		-

05.12.08	JLR	JY		Updated
17.10.08	SMN	JY		Updated
REV	DATE	MADE	APPV'D.	MEMO INCL
				EXPLANATION

© Wärtsilä Finland Oy
 Power Plants
 UNIT LOCATION
 POWER HOUSE
 LOWER LEVEL

Product: ACA UNITS: mm
 MADE: 02.07.08 TMH ASLY.DRG
 CHKD: 02.07.08 JY SCALE: 1:75 SIZE: A1 Page No.: 1 DRG. No.: DBAA636297
 APPD: 02.07.08 MSL Rev.

Proj. no. P/08011
 This drawing is the property of Wärtsilä and shall neither be copied, shown nor communicated to a third party without the consent of the owner.



ITEM NO.	PCS.	CODE	NAME	WEIGHT/kg Incl. liquids	MOUNTING LEVEL (Floor level)
1	1	SQA 011	Engine generator set W20V32		+0.000
5	1	MOO 011	Engine auxiliary module		+0.000
12	1	PCA 011	Fuel oil module (Compact Booster Unit)		+0.000
22	1	PBB 901	Fuel oil separator		+0.000
23	1	PBC 901	LBF day tank 30m3		+0.000
24	1	PBA 901	LBF buffer tank 13m3		+0.000
26	1	PBF 901	LFO day tank 30m3		+0.000
28	1	PCA 901	Feeder unit		+0.000
40	1	QAA 901	LO unloading pump unit		+0.000
42	1	QAC 901	Clean lube oil tank 13m3		+0.000
43	1	QAD 901	Lube oil service 13m3		+0.000
44	1	QAE 901	LO transfer pump unit from 13m3 tank to engine		+0.000
46	1	QBB 011	Lube oil separator unit		-
60	1	TCA 901	Working air unit		+0.000
62	1	TSA 901	Starting air unit		+0.000
63	1	TSB 901	Starting air bottle 1m3		+0.000
70a	1	VBA 901	Maintenance water tank 4 m3		+0.000
70b	1	VBA 902	Maintenance water tank 10 m3 (Glycol)		+0.000
71	4	VCA 011	Engine cooling radiator		-
72	1	VEA 012	LT-water expansion vessel-1200L (glycol)		-
73	1	VEA 011	HT-Jacket water expansion vessel-600L		+6.300
75	2	RWR 011	Boiler cooling radiator		+0.000
90	1	NHA 010	Exhaust gas silencer		+0.000
103	1	YBA 011	SCR (DeNox)		+0.000
104	1	YAB 901	Urea tank 50m3		+0.000
117	1	RWA 011	Exhaust gas boiler		+0.000
145	1	DDB 901	Sludge tank 20m3		+0.000
182	-	BAN 901	MV-Switchgear		+0.000
183	1	BEY 901	DC system		+0.000
185	-	BFA 901	LV-Switchgear		+0.000
186	-	BFB 901	Station transformer		+0.000
189	1	-	Privo Control panel		+0.000
190	1	-	Privo Control panel		+0.000
196	1	CFA 901	Control panel, common		+0.000
197	1	CFC 011	Control panel, engine-wise		+0.000
210	2	NGA 010	Air intake filter		+0.000
211	1	-	Ventilation unit		+0.000
212	1	-	Ventilation outlet		-

LV = 11 kV
(gen. out pu)
MV = 15,6 kV
(kabel disk)

property line
concrete wall

Note:
the 0.000 level will be approx. 200 mm above "ground level"
F.P. = Fixed Point
S.P. = Sliding Point

© Wärtsilä Finland Oy
Power Plants

WÄRTSILÄ

Product: ACB UNITS
MADE 03-Nov-2008 Seino Hoekjen ASLY.DRG
SCALE: 1:150
SIZE: A1
Page No. 1
DRG. No. DBAA813206 XX
Rev.

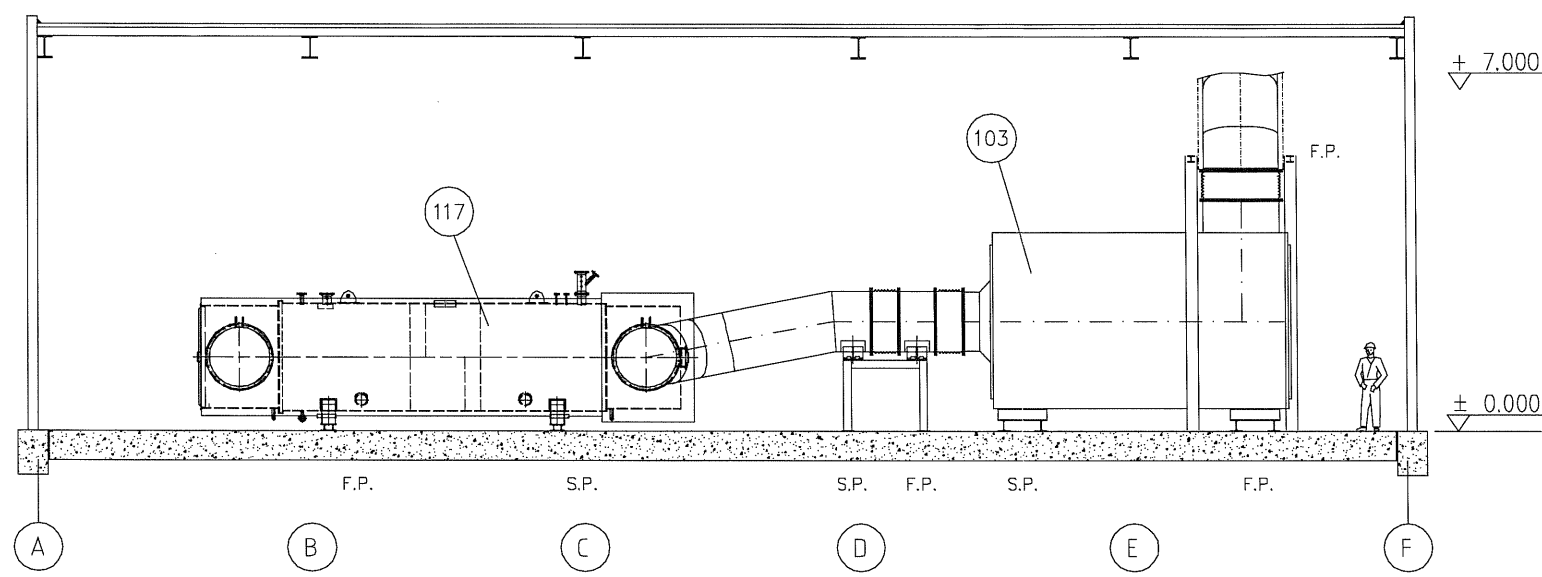
Layout drawing
Master layout, Site layout
SSSSSS
XXXXXX

Proj. no. P/08011

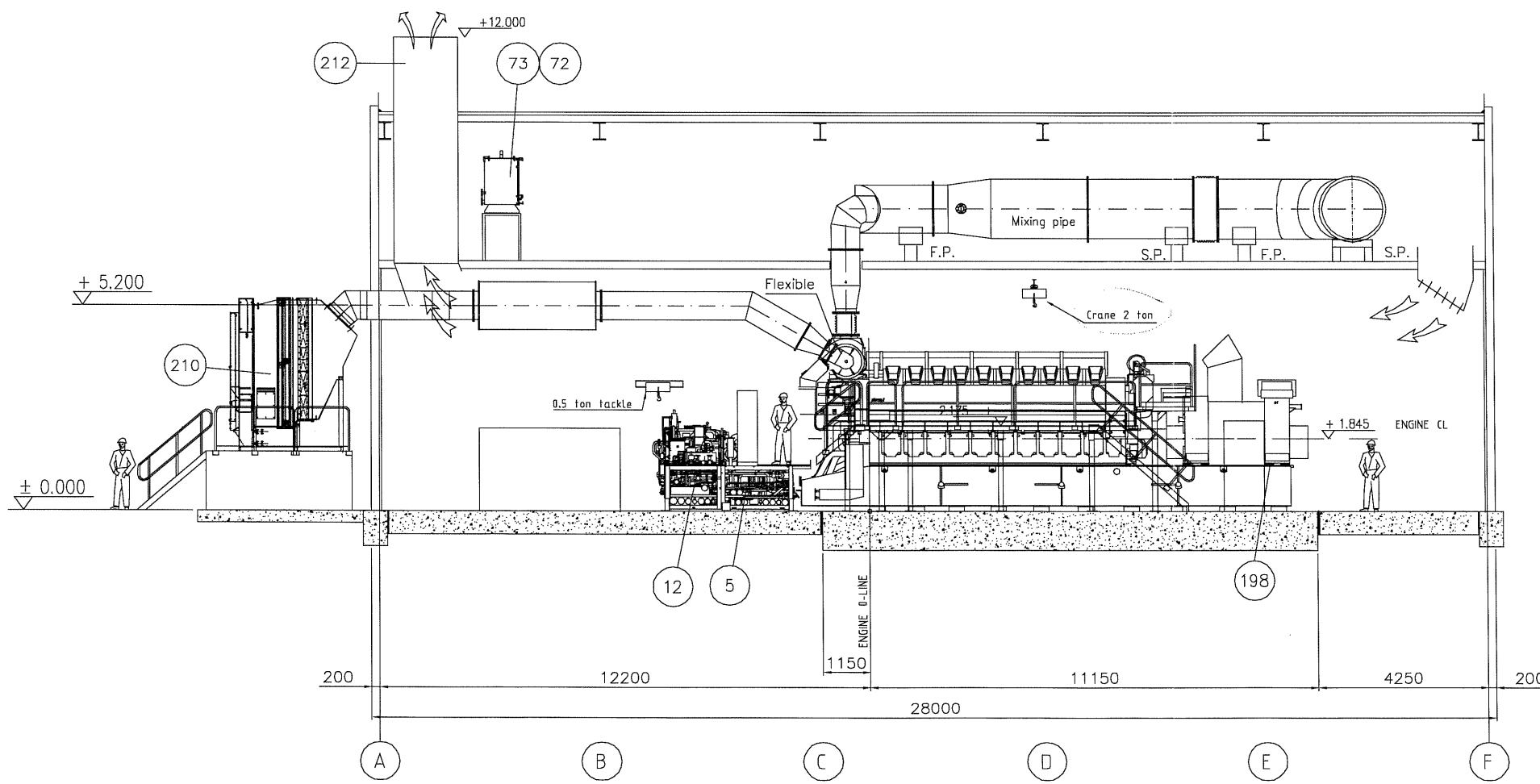
This drawing is the property of Wärtsilä and shall neither be copied, shown nor communicated to a third party without the consent of the owner.

ITEM NO.	PCS.	CODE	NAME	WEIGHT/kg (incl. liquids)	MOUNTING LEVEL (Floor level)
1	1	SGA 011	Engine generator set W20V32		+0.000
5	1	MOD 011	Engine auxiliary module		+0.000
12	1	PCA 011	Fuel oil module (Compact Booster Unit)		+0.000
-	-	-	-	-	-
22	1	PBB 901	Fuel oil separator		+0.000
23	1	PBC 901	LBF day tank 30m ³		+0.000
24	1	PBA 901	LBF buffer tank 13m ³		+0.000
26	1	PBF 901	LFO day tank 30m ³		+0.000
28	1	PCA 901	Feeder unit		+0.000
40	1	QAA 901	LO unloading pump unit		+0.000
42	1	QAC 901	Clean lube oil tank 13m ³		+0.000
43	1	QAD 901	Lube oil service 13m ³		+0.000
44	1	QAE 901	LO transfer pump unit from 13m ³ tank to engine		+0.000
-	-	-	-	-	-
46	1	QBB 011	Lube oil separator unit		+0.000
60	1	TCA 901	Working air unit		+0.000
62	1	TSA 901	Starting air unit		+0.000
63	1	TSB 901	Starting air bottle 1m ³		+0.000
70a	1	YBA 901	Maintenance water tank 4 m ³		+0.000
70b	1	YBA 902	Maintenance water tank 10 m ³ (Glycol)		+0.000
71	4	VCA 011	Engine cooling radiator		-
72	1	VEA 012	LT-water expansion vessel-1200L (glycol)		-
73	1	VEA 011	HT-Jacket water expansion vessel-600L		+6,300
-	-	-	-	-	-
75	2	RWR 011	Boiler cooling radiator		+0.000
90	1	NHA 010	Exhaust gas silencer		+0.000
103	1	YBA 011	SCR (DeNox)		+0.000
104	1	YAB 901	Urea tank 50m ³		+0.000
117	1	RWA 011	Exhaust gas boiler		+0.000
145	1	DDB 901	Sludge tank 20m ³		+0.000
182	-	-	MV-Switchgear		+0.000
183	1	BAN 901	Neutral point cubicle		+0.000
185	-	BEY 901	DC system		+0.000
186	-	BFA 901	LV-Switchgear		+0.000
189	1	BFB 901	Station transformer		+0.000
190	1	-	Priva Control panel		+0.000
196	1	CFA 901	Control panel, common		+0.000
197	1	CFC 011	Control panel, engine-wise		+0.000
210	2	NGA 010	Air intake filter		+0.000
211	1	-	Ventilation unit		+0.000
212	2	-	Ventilation outlet		-

B
C
D
E
F
G



SECTION A-A



SECTION B-B

Note:
the 0.000 level will be approx. 200 mm above
"ground level"

		© Wärtsilä Finland Oy Power Plants		Layout Section and Elevations Master layout Sections SSSSSS	
Product	ACA UNITS ASLYDRG	SCALE	SIZE	Page No.	DRG. No.
MADE 03-Nov-2008	Saino Hoekjen	1:75	A1	1	DBAA813216 XX
CHKD		1:1			
APPD 03-Nov-2008	Saino Hoekjen				