

1

2

3

4

5

6

7

8

A

A

B

B

C

C

D

D

E

E

F

F

GENERAL ARRANGEMENT DRAWING

CLIENT :
CONTRACTOR : GMB E&C CO., LTD.
PROJECT : 2x1760kW CUMMINS GENSET

1

2

3

4

5

6

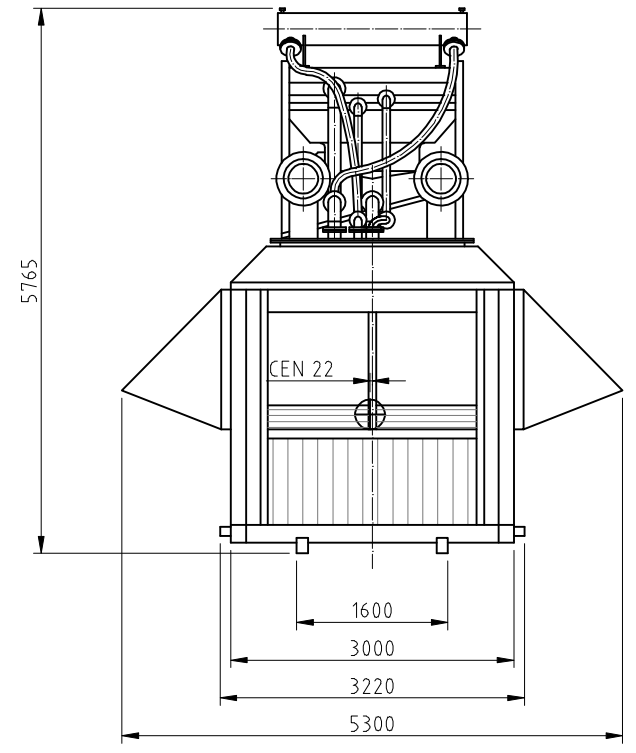
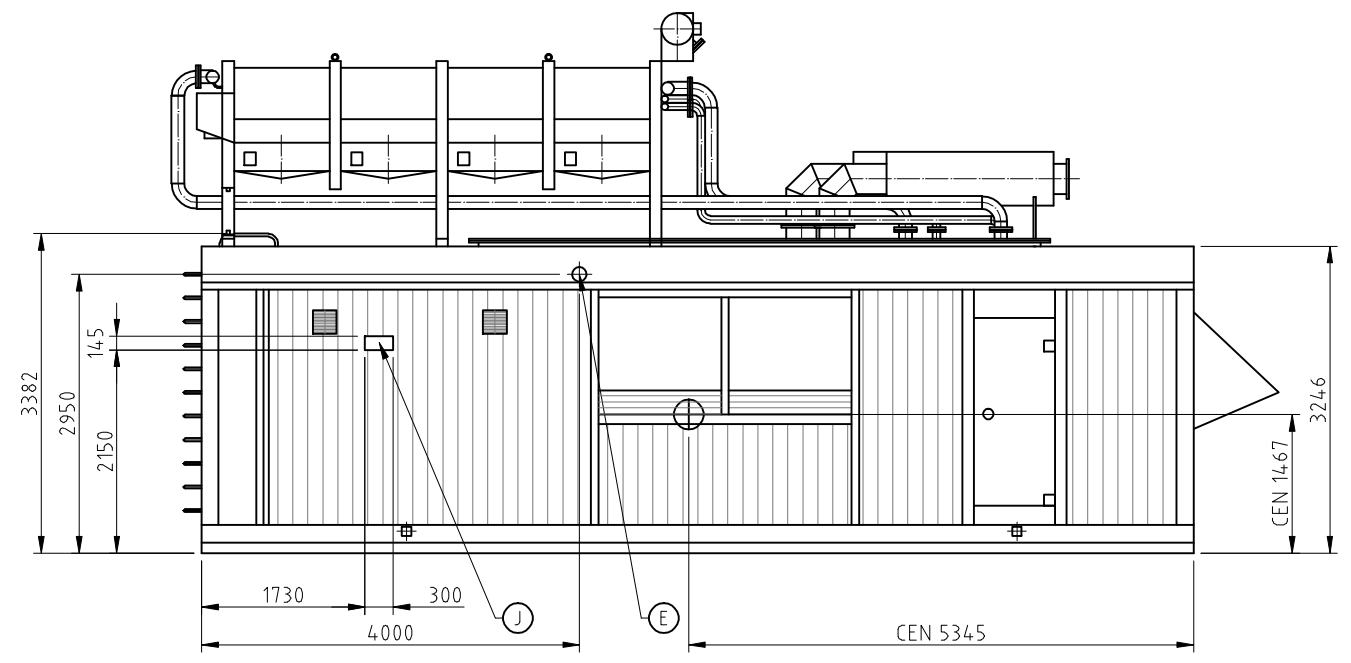
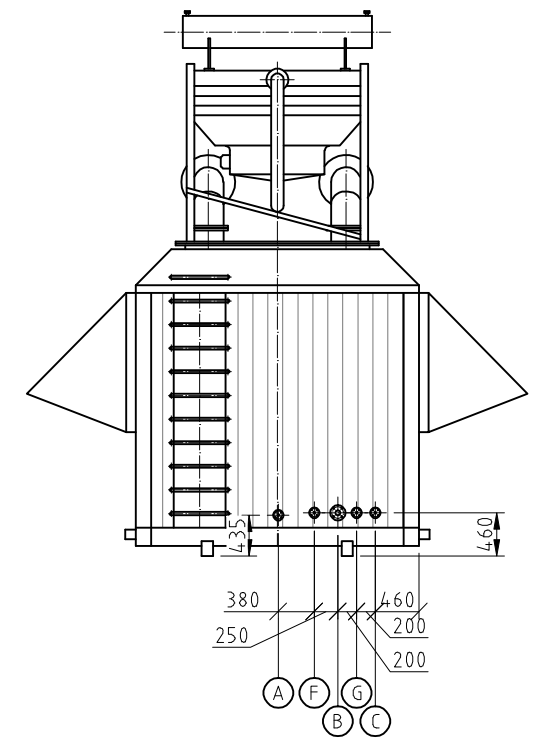
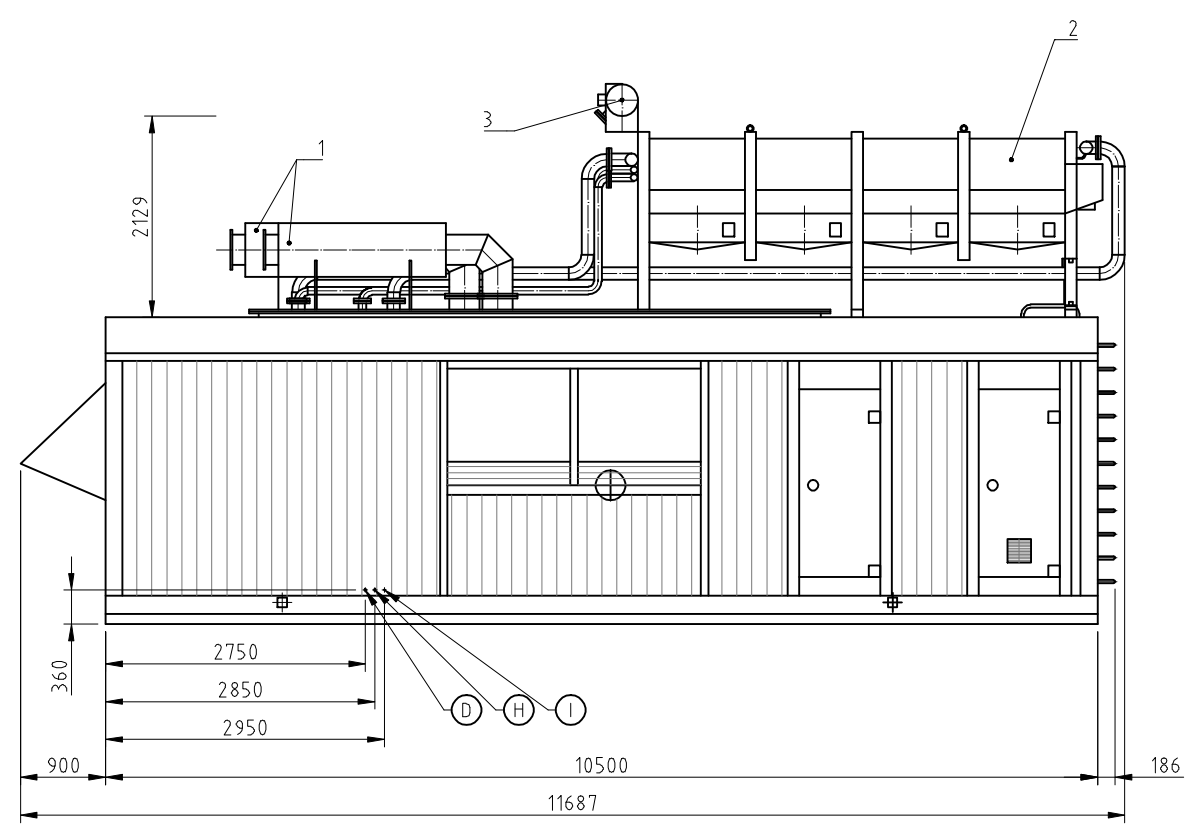
7

8

1 2 3 4 5 6 7 8

A
B
C
D
E
F

A
B
C
D
E
F



NO	DESCRIPTION	REMARK
1	SILENCER	-
2	COOLING RADIATOR	-
3	EXPANSION TANK	-

NOZZLE NO.	NOZZLE NAME	REMARK
A	L.O. INLET	DN25 x PN10
B	D.O. OUTLET	DN50 x PN10
C	D.O. INLET	DN25 x PN10
D	COOLING WATER OUTLET	Ø25
E	POWER CABLE OUTLET	-
F	DRAIN OUTLET	DN25 x PN10
G	D.O. TRANSFER LINE	DN25 x PN10
H	COOLING WATER INLET	Ø25
I	L.O. OUTLET	Ø20
J	CONTROL CABLE OUTLET	-

NO	DATE	DESCRIPTION	DESIGN	CHECKED	APP'D
	MAY 25'11	ISSUED FOR FINAL	J.Y.BANG	B.S.CHOO	Y.K.CHOI

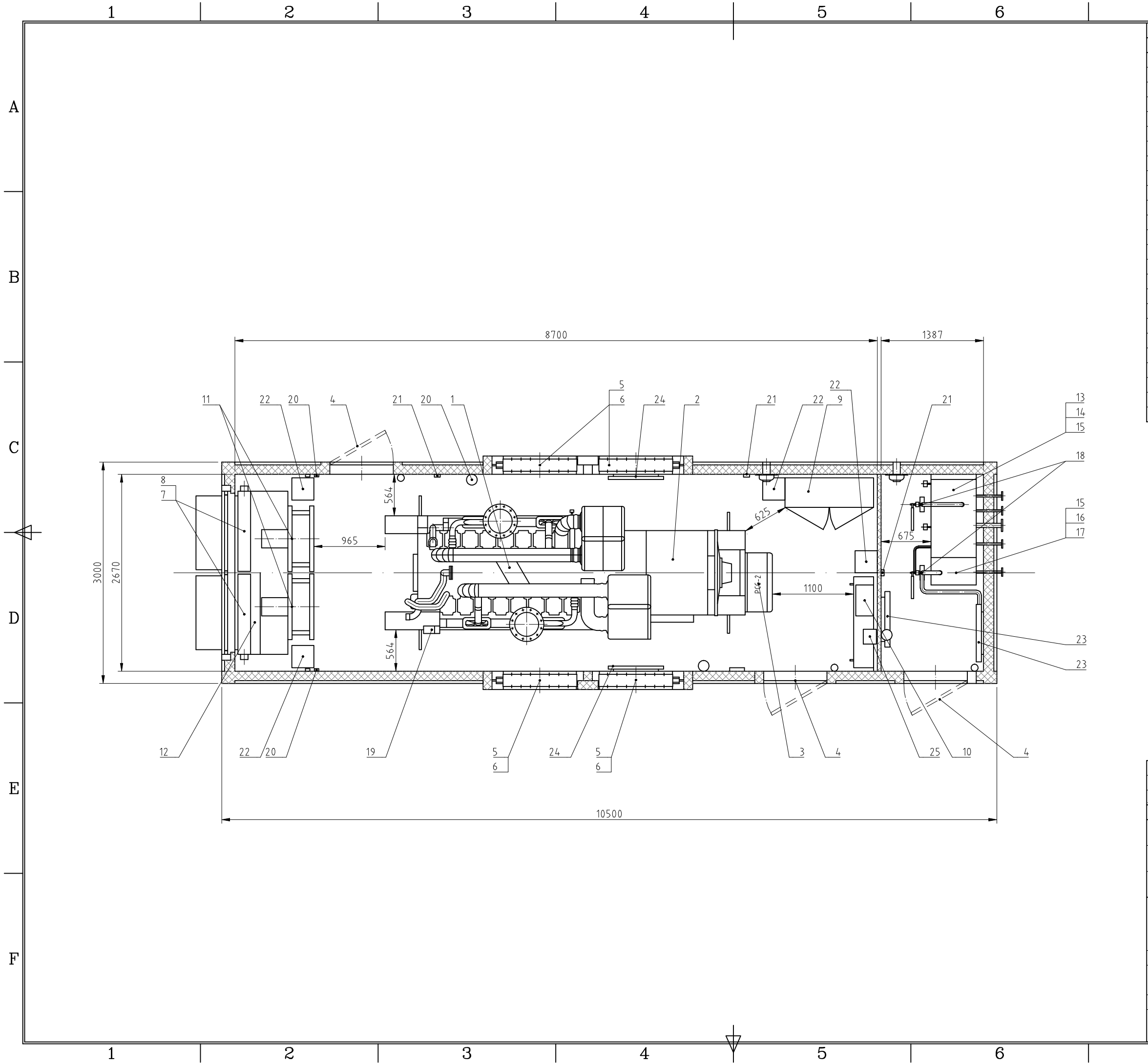
CLIENT :
 CONTRACTOR : GMB E&C CO., LTD.
 PROJECT : 2x1760kW CUMMINS GENSET

DESIGN				MAY 25'11	
CHECKED				SCALE	
APPROVED				1/80 A3 DRAW	
DATE				DWG NO	
J.Y.BANG				COV-G01-001	
B.S.CHOO				CODE NO	
Y.K.CHOI				-	
WORK NO.				-	

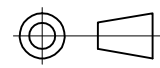
TITLE :
GENERAL ARRANGEMENT DRAWING
(ENCLOSURE OUTLINE)

PROJECT

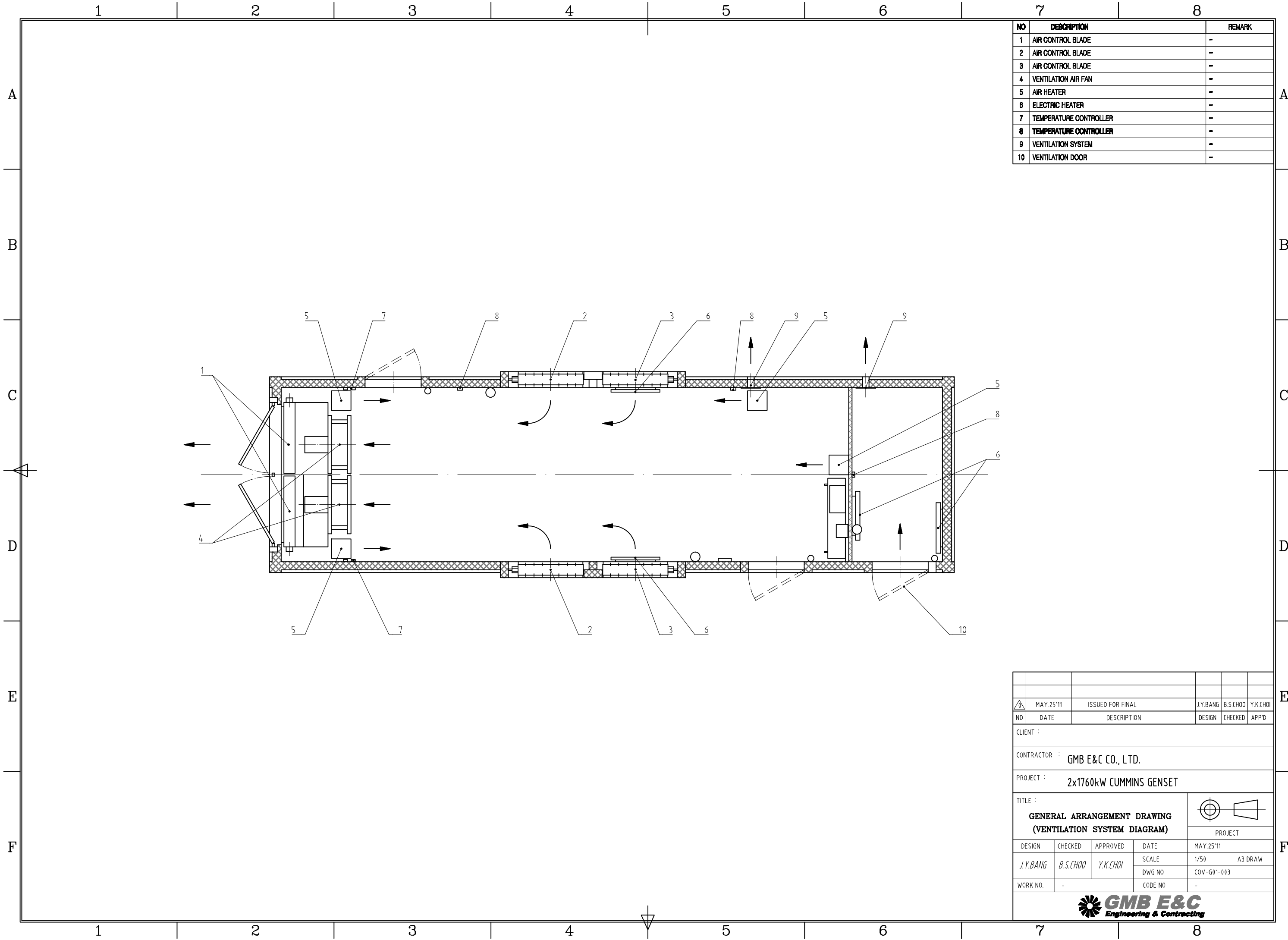
1 2 3 4 5 6 7 8



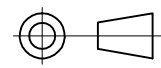
EQUIPMENT LIST				
NO	DESCRIPTION	Q'TY	TAG NO.	REMARK
1	DIESEL ENGINE	1	QSK60G4	-
2	GENERATOR	1	-	-
3	CONTROL PANEL	1	PCO-2	-
4	DOOR	3	-	-
5	VENTILATION AIR DOOR	4	KBY 1000x1000	-
6	LOUVER	4	-	-
7	VENTILATION AIR CONTROL BLADE	2	KBY 1000x1000	-
8	VENTILATION AIR DOOR	2	-	-
9	ELECTRIC PANEL	1	WCH	-
10	CONTROL PANEL	1	WAGY	-
11	VENTILATION FAN	2	BO-25-100-0-r1-40	-
12	D.O. COOLER	1	-	-
13	D.O. TANK	1	1000x	-
14	D.O. PUMP	1	PGA 40-30	-
15	ALARM SYSTEM	5	CY 5081	-
16	L.O. TANK	1	300x	-
17	L.O. PUMP	1	HMD 0.8-25	-
18	HAND PUMP	2	K-2B	-
19	HAND PUMP	1	PH 0.8-30	-
20	TEMPERATURE CONTROLLER	4	TCM	-
21	TEMPERATURE CONTROLLER	3	-	-
22	AIR HEATER	4	KCB-2	-
23	AIR HEATER	2	-	-
24	ELECTRIC HEATER	2	"Hera"	-
25	BATTERY	1	BCE 1084	-

NO		DATE		DESCRIPTION		DESIGN	CHECKED	APP'D
MAY 25'11		ISSUED FOR FINAL				J.Y.BANG	B.S.CHO0	Y.K.CHOI
CLIENT :								
CONTRACTOR : GMB E&C CO., LTD.								
PROJECT : 2x1760kW CUMMINS GENSET								
TITLE :							PROJECT	
GENERAL ARRANGEMENT DRAWING (EQUIPMENT ARRANGEMENT)								
DESIGN	CHECKED	APPROVED	DATE	MAY 25'11				
J.Y.BANG	B.S.CHO0	Y.K.CHOI	SCALE	1/50 A3 DRAW				
WORK NO.			CODE NO	-				
-			CODE NO	-				

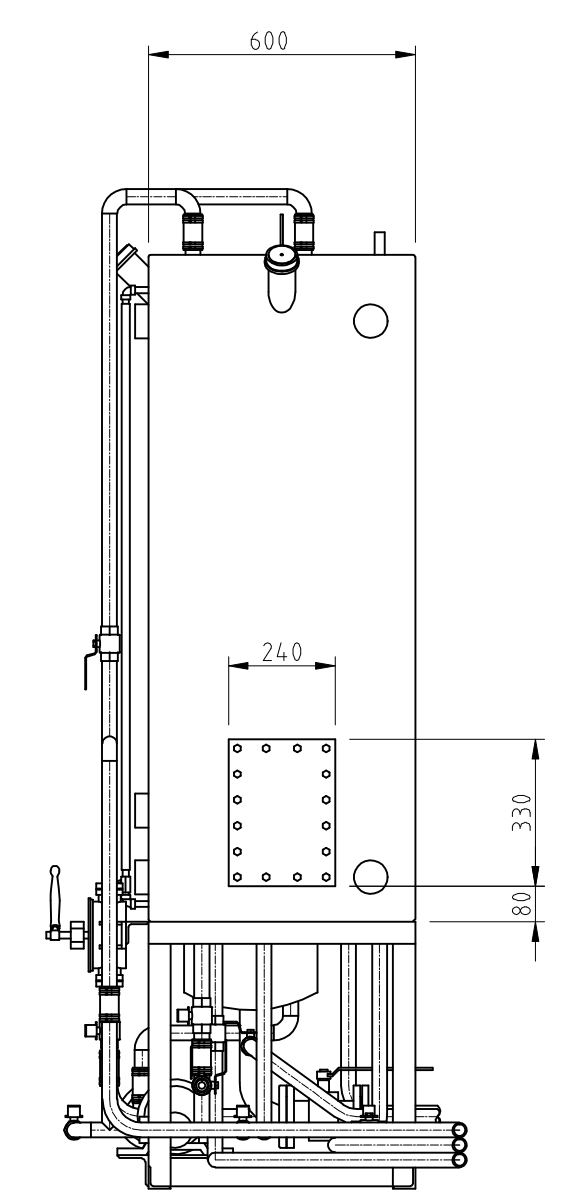
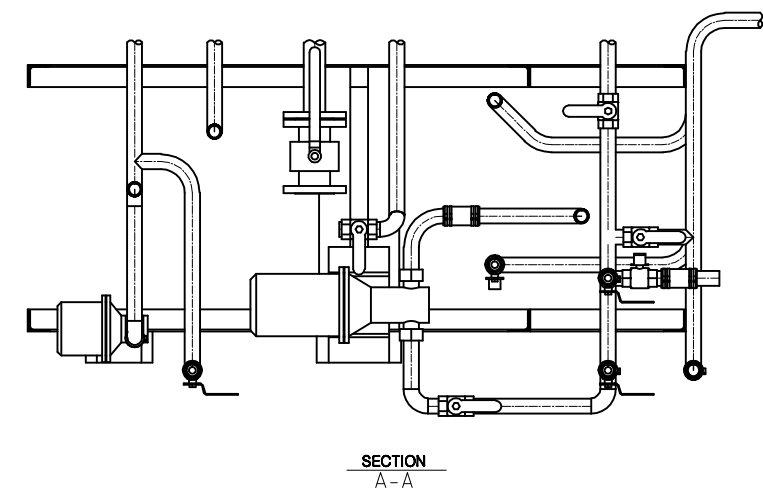
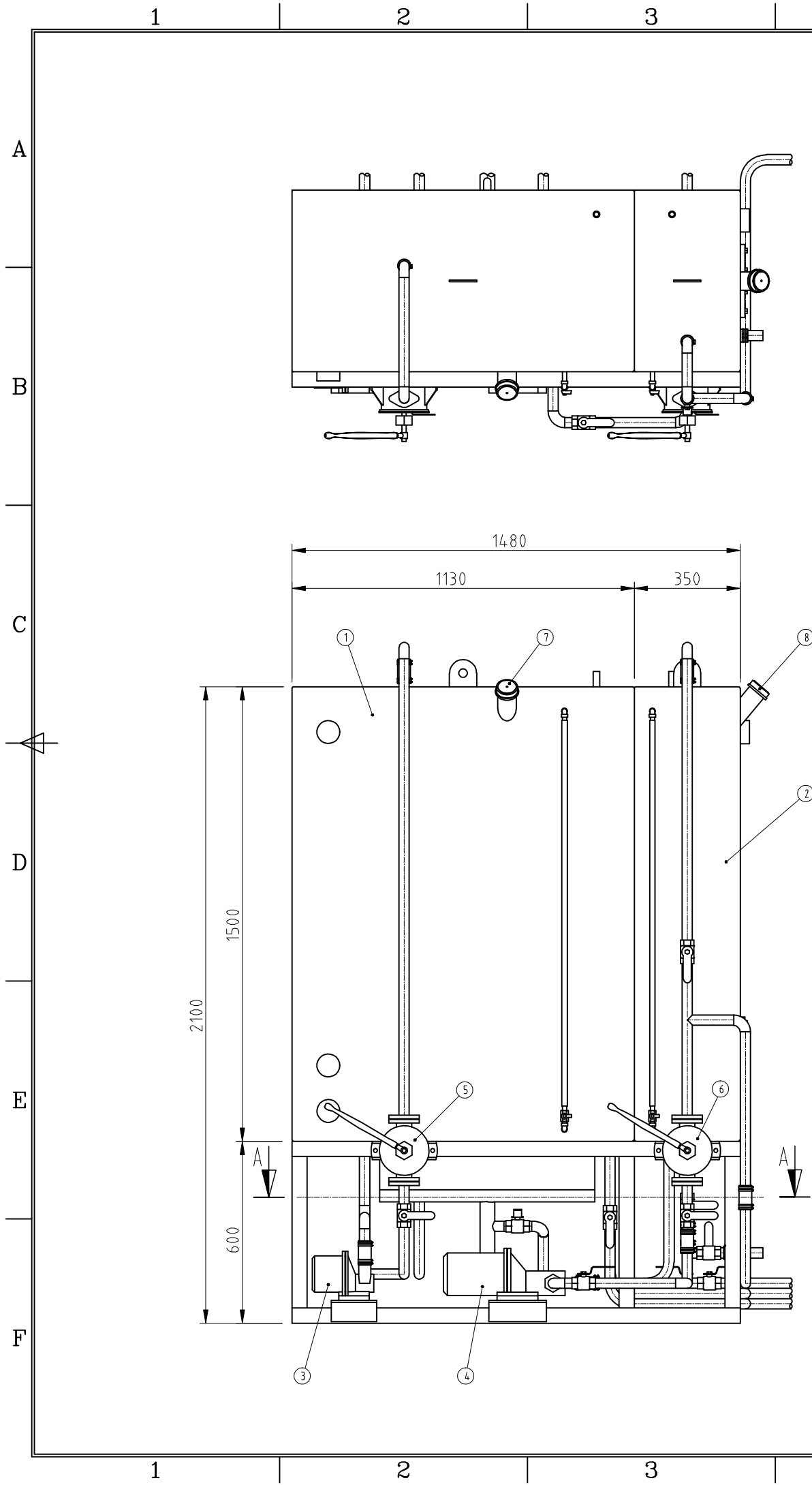




NO	DESCRIPTION	REMARK
1	AIR CONTROL BLADE	-
2	AIR CONTROL BLADE	-
3	AIR CONTROL BLADE	-
4	VENTILATION AIR FAN	-
5	AIR HEATER	-
6	ELECTRIC HEATER	-
7	TEMPERATURE CONTROLLER	-
8	TEMPERATURE CONTROLLER	-
9	VENTILATION SYSTEM	-
10	VENTILATION DOOR	-

NO		DATE		DESCRIPTION		DESIGN	CHECKED	APP'D
		MAY 25'11		ISSUED FOR FINAL		J.Y.BANG	B.S.CHOO	Y.K.CHOI
CLIENT :								
CONTRACTOR : GMB E&C CO., LTD.								
PROJECT : 2x1760kW CUMMINS GENSET								
TITLE :								 PROJECT
GENERAL ARRANGEMENT DRAWING (VENTILATION SYSTEM DIAGRAM)								
DESIGN	CHECKED	APPROVED	DATE	MAY 25'11				
J.Y.BANG	B.S.CHOO	Y.K.CHOI	SCALE	1/50	A3 DRAW			
WORK NO.	-	CODE NO	-					





NO	DESCRIPTION	REMARK
1	D.O. TANK	
2	L.O. TANK	
3	ELECT. D.O. PUMP	
4	ELECT. L.O. PUMP	
5	HAND D.O. PUMP	
6	HAND L.O. PUMP	
7	D.O. FILLING HOLE	
8	L.O. FILLING HOLE	

MAY 20'11		ISSUED FOR FINAL		J.Y.BANG	B.S.CHOO	Y.K.CHOI
NO	DATE	DESCRIPTION	DESIGN	CHECKED	APP'D	
CLIENT :						
CONTRACTOR : GMB E&C CO., LTD.						
PROJECT : 2x1760kW CUMMINS GENSET						
TITLE : GENERAL ARRANGEMENT DRAWING (D.O. & L.O. TANK)					PROJECT	
DESIGN	CHECKED	APPROVED	DATE	MAY 20'11		
J.Y.BANG	B.S.CHOO	Y.K.CHOI	SCALE	1/17	A3 DRAW	
WORK NO.	-	CODE NO	COV-G01-004			