



Mercedes Benz - 516 CDI Sprinter 90765713 KA 4325L 19+1+1 / 19+1



Vehicle type:	516 CDI Sprinter 90765713 KA 4325L
Baumuster:	90765713
Drivetrain:	RWD
Gross vehicle weight:	5000 kg
Model:	Mercedes-Benz Sprinter (907/910)
Engine power:	120 kW (163 PS)
Wheelbase:	4325 mm
Steering type:	left



Mercedes-Benz

Fuel consumption, urban:	9.2 l/100km	Fuel consumption, in total:	7.6 l/100km
Fuel consumption, extra urban:	6.6 l/100km	Emisii CO ₂ - per total:	199 g/km

Equipment list

Color

		EUR
MB 9147	Arctic White	-,-

Echipament standard

		EUR
AR3	Axis ratio i=4,182	-,-
BA3	Active Brake Assist	-,-
D03	High ceiling	-,-
DUP0	Base Duplicate Code 0	-,-
ED4	Baterie heavy-duty	-,-
ES0	Startup Assistant - Contact	-,-
FF5	Shelf above the windshield	-,-
FJ4	Comp. Deposits. under the board	-,-
GD8	Manual transmision ECO Gear 360 6 speed	-,-
H1B	Tachograph control under the ceiling	-,-
H21	Thermal insulation glass with windshield filter tape	-,-
IG4	Standard	-,-
IG5	Basic	-,-
J10	Tahometru km/h	-,-
J58	Warning signal for wearing sig, sof	-,-
J65	Temperature indicator	-,-
JA8	Crosswind Assist	-,-
JD2	CE digital tachograph with possible. download	-,-
JW5	Lane Keeping Assist	-,-



Mercedes-Benz

L94	Remove the parking lamp	-,-
LA2	Road light assistant	-,-
LB1	Overall side lamps	-,-
LB5	The third brake lamp	-,-
LE1	Adaptive brake light	-,-
MG3	Engine OM 651 DE 22 LA 120 kW (163 HP) 3800 rpm	-,-
MP6	Engine version Euro 6	-,-
MP8	OBD (on-board diagnostics) stage C	-,-
Q11	Reinforced side members	-,-
RD9	Tires without manufacturer's specification	-,-
RS6	Still rim 5,5 J x 16	-,-
S02	Driver's seat	-,-
SA5	Airbag driver	-,-
VF7	Fabric Maturin black	-,-
W54	Rear doors, 270 degree opening	-,-
X5G	Vehicle without detachment / overtaking 5 to	-,-
XV1	Reference mass of at least 2381 kg required	-,-
XZ0	Model generation 0	-,-
Y26	Wheel lock	-,-
Z2E	National version for EU - EFTA	-,-
Z2N	Category N2	-,-
Z4V	Production in Düsseldorf	-,-

Optional

A50	Front axle with increased load-bearing capacity	-,-
C6L	Multifunctional steering wheel	-,-
CB8	Grade II increased stability package	587.00
CE8	High body	-,-
D93	Remove the partition wall	-39.00
E1A	MBCConnect - 5	-,-
E2A	Access signals for bodybuilders in the dashboard	23.00
E3J	Pre-install switch panel	8.00
E3M	MBUX multimedia system with 7-inch screen	538.00
ED8	Pre-equipment and elect for the parameterizable module	16.00
EK1	Strips for electrical connections	47.00
F61	Interior rearview mirror	43.00
J51	Carb reserve indicator, adapted for additives	-,-
J52	Oil level display at start-up	-,-
KL1	Tank supply for heating installations	137.00
KL5	Diesel filter with water separator	126.00
KP6	SCR emission control system	-,-



Mercedes-Benz

M60	Alternator 14 V / 250 A	572.00
MD5	Speed limiter 100 km/h EG	109.00
N63	Front engine power socket with sup for agr frigo suplim	351.00
P38	Preparing for registration as a bus	-,--
P47	Front mudguards	39.00
P48	Rear mudguards	73.00
P93	Remove staples	-12.00
R65	Spare wheel support under the end of the chassis	66.00
R87	Spare tire	117.00
RG3	Tires 205/75 R 16 C	-,--
RM0	Tires all season	-,--
S91	Remove the front passenger seat	-82.00
S99	Remove the passenger seat frame	-,--
SW1	Remove the high seat belt and front passenger buckle	-23.00
T93	Removing the sliding door for loading space	-,--
V93	Removing wood flooring	-,--
XC1	Document COC, incomplete	-,--
XY9	model year 9	-,--
Y10	Firts aid kit	-,--
Y43	Hydraulic jack	-,--
Y44	Reflective triangle	-,--
Z11	Variant for unfavorable roads	135.00

Price for auto whit equipment 19+1+1 seats	47,900.00
Price for auto whit equipment 19+1 locuri	46,900.00

Technical details for minibus equipment 19 + 1 + 1 seats 2nd category

1. Equipped with raised, folding seats, with armrests and seat belts in 3 points - 19 pcs
2. Raised guide chair, with 3-point belt, with armrest and folding seat
3. Driver's seat cover in tune with the interior upholstery
4. Mounted itself for fastening the chairs (at the client's preference: on the floor / on the wall)
5. Mounted attic in the amphitheater on both sides, with aisle in the middle
6. Luggage compartment 1.5 m3, separate from the passenger compartment, with a luggage rack
7. A / C tubing with light profile in two colors, incorporated with lighting lamps in each row of seats, a / c grilles, audio speakers and light luggage space
8. Installed non-slip linoleum, wear-resistant, in tune with the interior upholstery, raised on the sides 10 cm
9. Interior upholstery on the sides in ecological leather / plus
10. Upholstered ceiling in addition to the upholstery of the chairs
11. Mounted set of double glazed windows with glazing
12. Panoramic sunroof with ventilation role and safety outlet
13. Mounted curtains in tune with the interior upholstery
14. White and blue LED ceiling lights, with two lighting positions, in the passenger compartment - 2 pcs
15. Air conditioning Webasto 12 kw (warranty 24 months)
16. A / C compressor support kit mounted on the right side, with belt separate from the engine
17. Additional parking heater Webasto Air Top Evo - 2 kw (24 month warranty)
18. Mounted on climbing aluminum bar, to support passengers, in tune with the upholstery
19. Passenger staircase with increased space for climbing, illuminated with white LED
20. Additional manually operated ladder
21. Mounted on the body installation, separate from the original installation



Mercedes-Benz

22. Mounted fuse panel with quick access for bodywork installation, separate from the original installation

23. Mounted Pioneer mp3 radio with USB slot and conference microphone

24. Safety exit hammers and ideograms



Mercedes-Benz

Technical data

Dimensions and weights

Type	
Wheels formula	RWD
Wheelbase	4325 mm

Mass	
<u>Chassis-/Kerb weight:</u>	
Front axle (empty)	1311 kg
Rear Axle (empty)	1239 kg
Total empty including additional equipment	2550 kg

<u>Maximum permissible weight:</u>	
Front axle	2000 kg
Rear axle	3500 kg

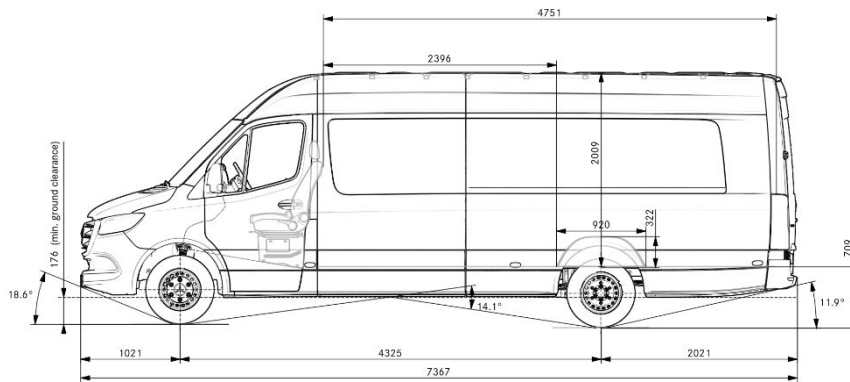
<u>Payload:</u>	2450 kg
<u>Total mass:</u>	5000 kg
<u>Maximum mass allowed in the road train:</u>	7000 kg

Engine technical data	
Cilinders cm ³	2143
Power max. kW / HP	120 / 163
Torque max.	0 Nm at 0 /min

Transmission	
Code	GD8
Short text	Manual transmisionECO Gear 360 6 speeds

Technical data

Dimensions and weights





Mercedes-Benz

