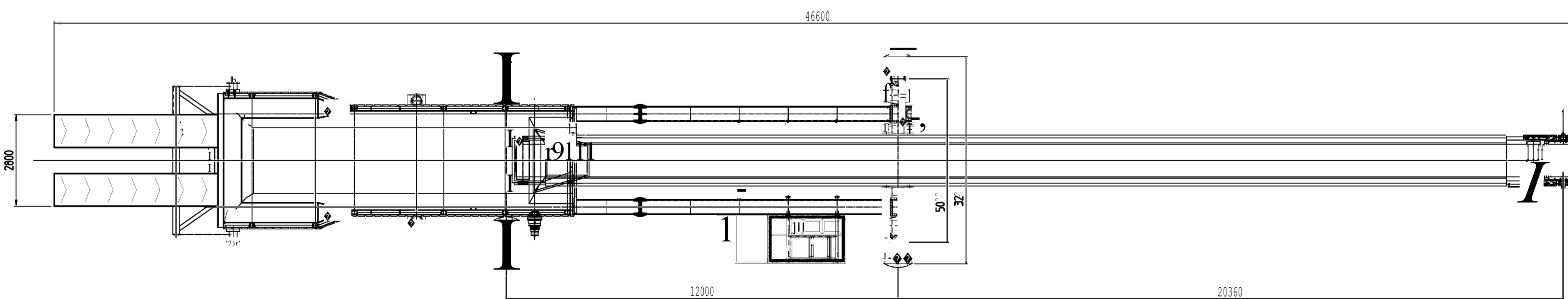
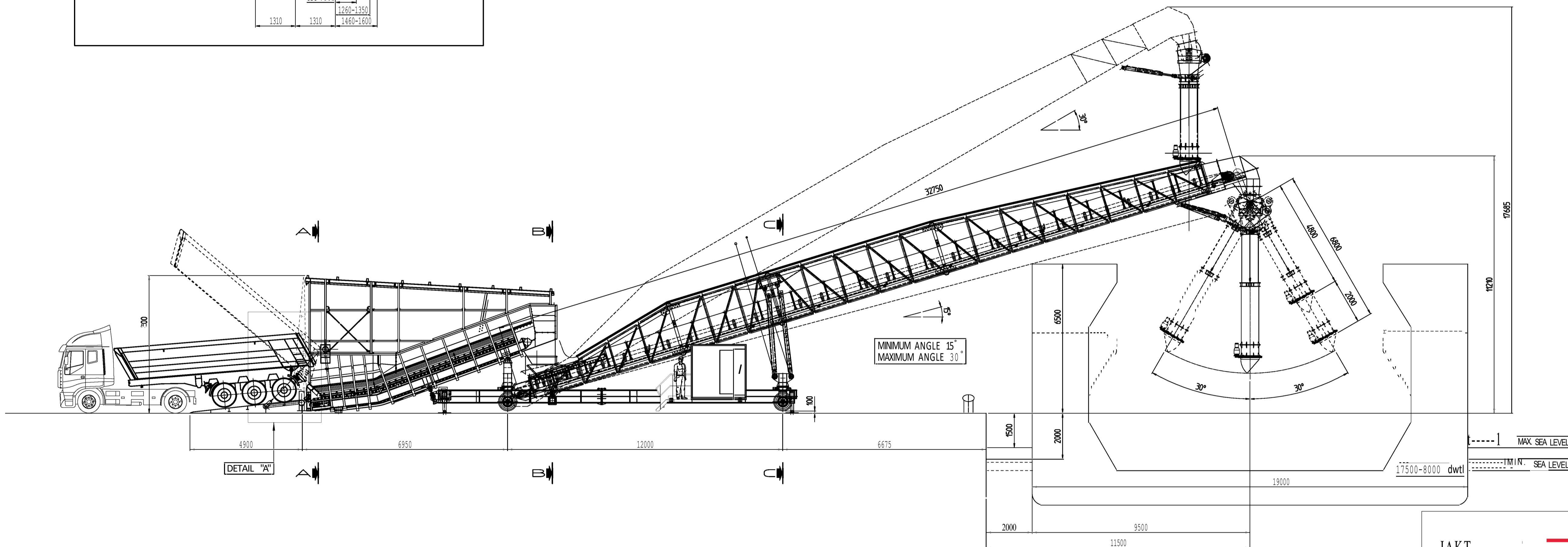
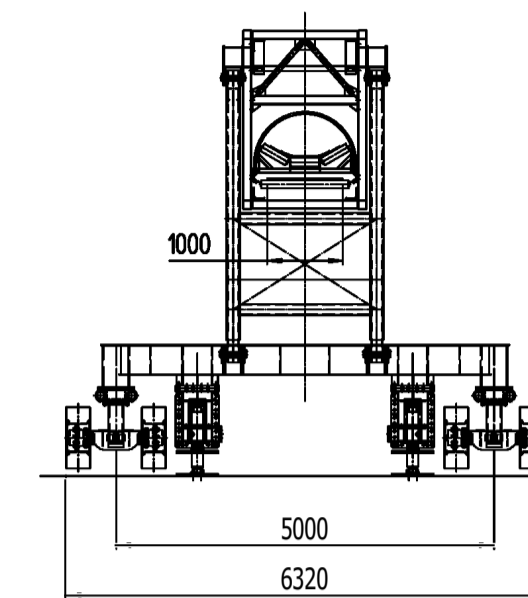
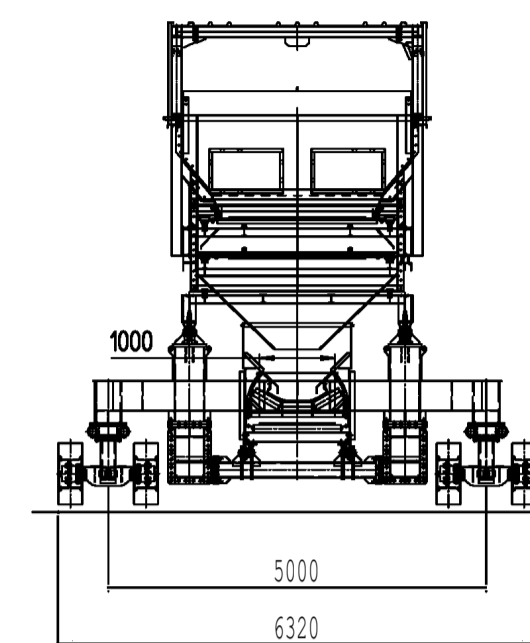
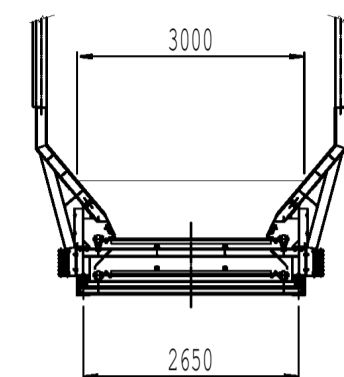
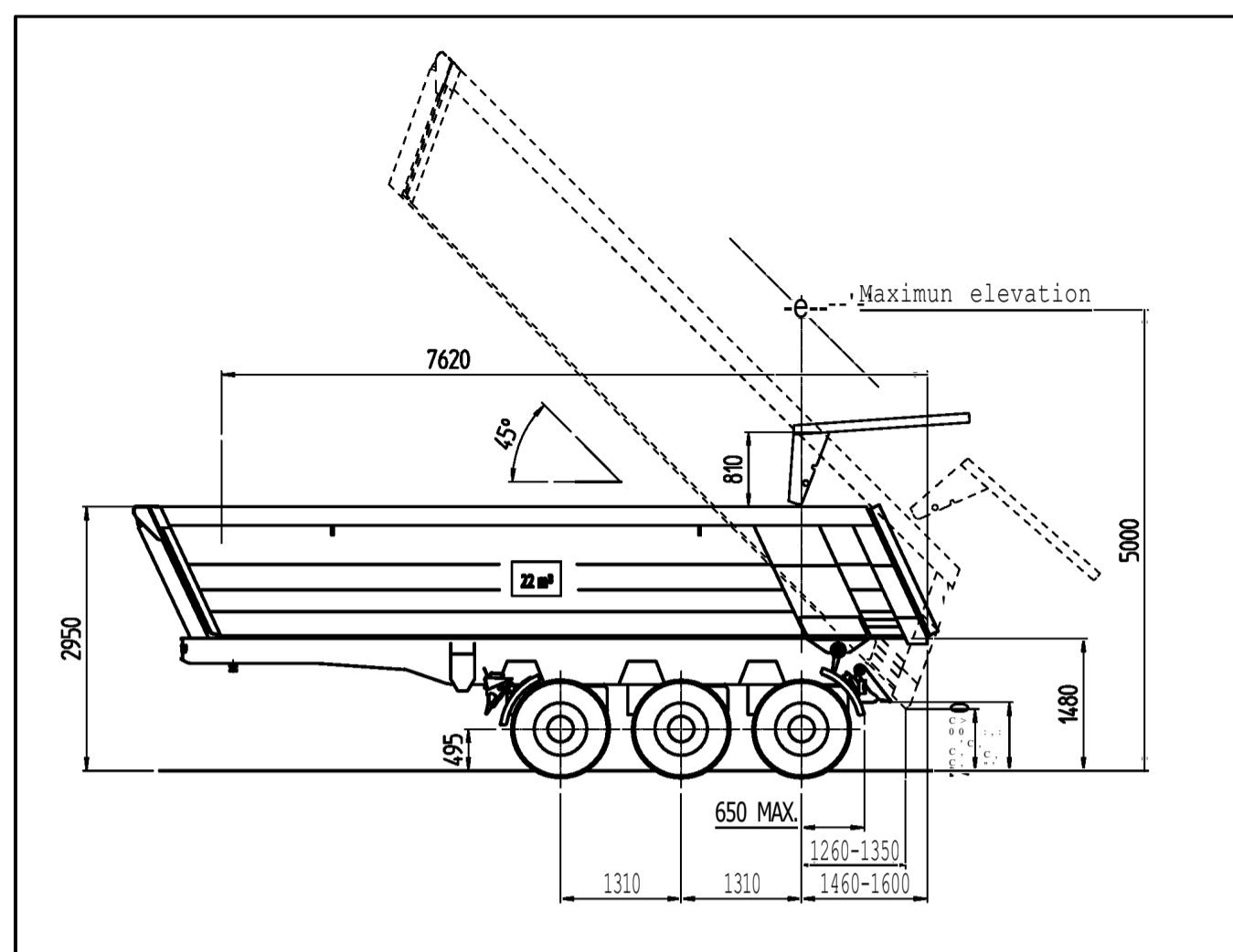


!METRIL "R"

!SECTION A-R1

!SECTION B-B1

!SECTION c-c1



IAKT Kinetics Technology		VENDOR DOCUMENT REVIEW	
MR N°: 4022.01 PO N°: 7500041800		<input type="checkbox"/> 1 REVISE AND RESUBMIT <input type="checkbox"/> 2 TO BE ISSUED AS FINAL PROVIDED COMMENTS ARE INCORPORATED <input type="checkbox"/> 3 NO COMMENT - FINAL ISSUE <input type="checkbox"/> 4 FOR INFORMATION ONLY (INTERNAL USE)	
ITEM: SL-01		U.O.: KT S.p.A.	
VR Doc. CODE: A2001		BY: DATE: 02/07/2014	
00 EMISSIONE OSEGGNO I FIRST ISSUE		DV	DV F/4 02/01/2014
REV. DESCRIZIONE I DESCRIPTION		=TO	pro.t4 DATA I DATA
CLIENTE I CLIENT: KT-KINETICS TECHNOLOGYS.P.A.			
6j BEDESCHI S.p.A. Via Pralboke, 38 - 35010 LIMENA Padova ITALY Tel./_39-049.7663100 - Fax_39-049.8848006 E-Mail: Sa/es@bedeschi - Skype: bedeschispoOskype		FORMA TO I SIZE A1	REV. 00
SHIPLOADER SHL-W-1000/32 OVERALL GENERAL		SCALA I SCALE 1:100	FOGLIO I SHEET 01
7145		NUMERO I ORER I REF. I REFEREN 7145	SOSTITUISCE I REPLACES SOSTITUITO I REPLACED

La BEDESCHI S.p.A. si riserva la proprietà del presente disegno e ne vieta la riproduzione e o duplicazione anche se solo parziale. This drawing is the property of BEDESCHI S.p.A. and cannot be copied or reproduced whether wholly or partially.