

Multi-function portable backup power

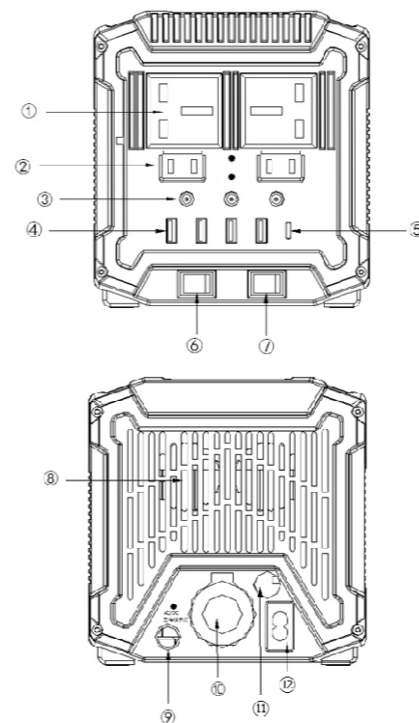
User Manual



Preface

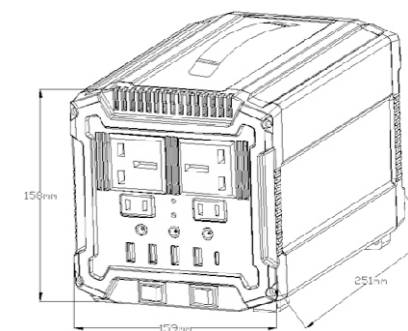
Thanks for choosing our portable AC power supply. Please read this manual carefully before using and keep it for review.
We have models of 110V/60Hz and 220V/50Hz ,Please choose the right type according to your local voltage frequency.
This manual helps you to operate this device correctly. But it is not the introduction of the soft & hard ware configuration. Any configuration of products. Please refer to the related contract or consult with your distributor. the images in this manual are for reference only. Thank you!

Description



- ① Universal AC sockets
- ② Japan/US AC sockets
- ③ 12V/15A DC output
- ④ 5V USB output
- ⑤ Type C output
- ⑥ AC on/off switch
- ⑦ USB/DC on/off switch
- ⑧ Cooling Fan
- ⑨ DC 12V~18V solar charge input
- ⑩ 12V Cigarette lighter socket
- ⑪ Built-in Fuse
- ⑫ 110V/220V AC charge input

Specifications



This product both can be used as a on-line UPS and a standby power bank

· 1 ·

· 2 ·

· 3 ·

Model:SRY1L12220-500

Multi-function Portable Backup Power

Model:SRY1L12220-500

Multi-function Portable Backup Power

Model:SRY1L12220-500

Multi-function Portable Backup Power

Model:SRY1L12220-500

Multi-function Portable Backup Power

Model:SRY1L12220-500

Model	Model:SRY1L12220-500
Battery Capacity	12V 40Ah 444Wh
Rated Power	500W,Peak 1000W
AC Charge Input	AC 110~220V 50/60Hz
AC Output	4 AC sockets, 110~220V 50/60Hz
USB Output	5V 2.1A
Type C Output	5V/3A ,9V/2.5A ,12V/2.2A ,14.5V/2A, 20V/1.5A
DC Output	9V~12V/15A max
Cigar port output	12V/15A max
Solar Charge Input	12V~18V 3A
Output Waveform	Pure Sine Wave
Transient Response Time	≤5MS
Net Weight	4.8KG
Size	L251*W159*T158mm
Operation Temperature	-20° C (-4° F) ~-60° C (140° F)
Protection Circuit	Short circuit,Over current,Over power, Over discharge,Over charge , over-temperature Multi-Protection

How to use the AC power supply

■ Please Turn on the DC or AC output switch before start to use it.



This portable UPS works as a power bridge during national grid power fluctuation, unit itself will not discharge as long as house power is on.



It is ready to power your device within 5ms when house AC power is cut, and keep your device working without shutdown.

■ When connect loads to the product,please note that don't charge the device power total more than 500W.or else, the power supply will come into self-protection, please remove all loads and reboot the power supply to make it recovery. it mainly causes short circuit or unusual surge to break the external fuse,just replace a new fuse.for AC220V,please use 5A fuse,for AC 110V,use 10A fuse.

■ When bring this power supply for outdoor use,please turn off the AC/DC switch to avoid Min power.

Three ways to charge your AC power supply

1. By Power cord

■ Please use our original cable , the AC charging indicator light is red when charging,turn green when full charged.

2. By Solar Panel

■ The solar panel should be under 18V 150W, the solar charging indicator light is red when charging,went out when full charged.

3. By Car charger

■ Only for 12V car charging! Avoid 24V car charging!

Function Description

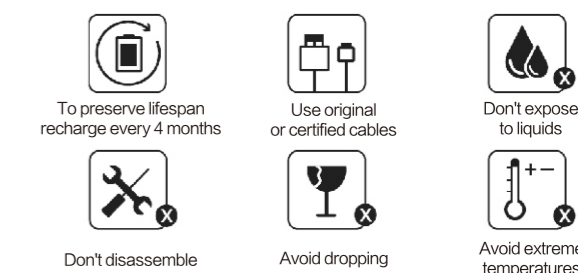
Device name	Backup Time (only for reference)
USB for iphone 5	80 times
12V 3W LED	145 hours
Desktop computer	Computer host +Display about 4.5 hours
50W Fan	8.5 hours
42 inch LCD TV	7 hours
80W Car Refrigerator	5 hours
10W Camera	44 hours

Built-in 4 AC Power Output,Provides continuous pure sine wave AC to power up major household appliances and camping equipments. Such as UAV、Laptop、Electric Scooter、iPad、Pump、mini printer,All kinds of lamps, fish tank heater, photographic equipment, Ventilator, massage instrument, medical equipment, travel by car, outdoor operations, camping picnic,Mountaineering adventure, fire relief, military troops and other essential products.

Packing List

sequence	Accessories	The number
1	The Power Supply	1PCS
2	AC adaptor	1PCS
3	Manual	1PCS
4	12V LED light (optional)	1PCS
5	Solar Panel (optional)	1PCS

Attention



Caution:

- Contains explosive material, away from fire
- please use this products in the place which well ventilated so that ups won't shut off because of overheating.
- Keep out of reach of children

· 4 ·

· 5 ·

· 6 ·

· 7 ·