

10L HIGH FLOW MEDICAL OXYGEN GENERATOR



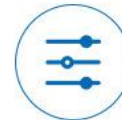
**1-10L
ADJUSTABLE**

PRODUCT DESCRIPTION

As expert on COPD, AE-10 oxygen Concentrator uses PSA Gas separation Technology and France imported CECA molecular sieve. It is very popular with the white Collar, the Pregnant, the students, the elder and the patients. You may find our oxygen concentrators in hospital, clinics, nursing home, beauty salon and other places.



LCD display



10l oxygen flow adjustable



psa adsorption technology



Timer function



Intelligent cooling system



Intelligent self-diagnostic system

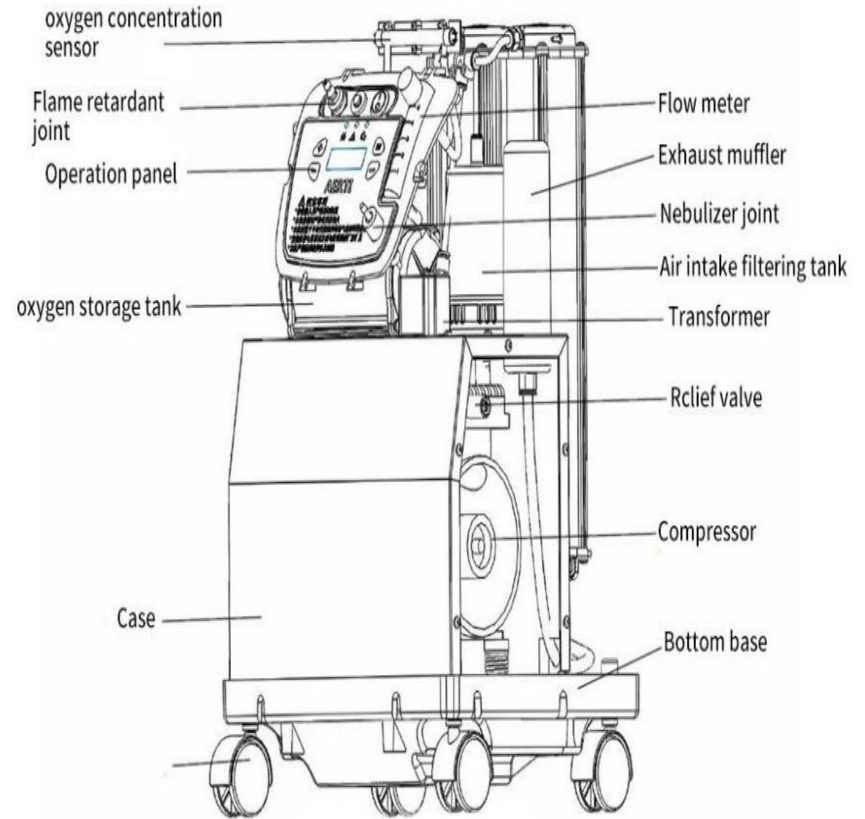


Mute



Oil-free compressor

SIX HUMANIZATION DESIGN









PRODUCT SPECIFICATION

Model	AE-3	AE-5	AE-8	AE-10
Flow Rate (L/min)	3	5	8	10
Power (W)	390	390	450	610
Size (mm)	372×340×612			
Net Weight (Kg)	21	21.5	24	24
Concentration (V/V)	93±3%			
Sound Level (dB (A))	≤36	≤36	≤50	≤50
Outlet Pressure (KPa)	45 ± 10%			
Standard Features	Low Noise Design; HEPA filters; Power Failure Alarm; Over-Heat Alarm; Suit for 24 hours operation; 20000 hours long working life.			
Optional Functions	<input type="checkbox"/> Low Purity Alarm <input type="checkbox"/> Nebulizer		<input type="checkbox"/> High and low pressure alarm <input type="checkbox"/> SPO ₂ Sensor <input type="checkbox"/> Remote Control	
Working voltage	<input type="checkbox"/> ~ 110V±10% 60Hz±1		<input type="checkbox"/> ~ 220V±10% 50Hz±1	
Optional Colors	<input type="checkbox"/> Dark Gray		<input type="checkbox"/> Creamy	

WE PROTECT YOUR HEALTH!

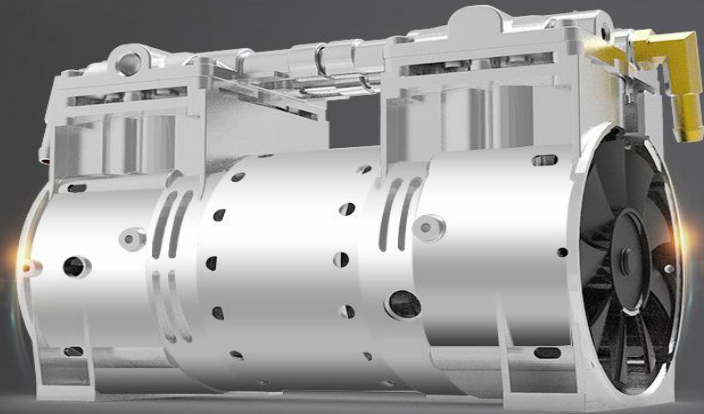


NO.	Picture	Name	Q'ty(pcs)	NO.	Picture	Name	Q'ty(pcs)
2-1		Nasal Pipe	2	2-4		Humidifier Bottle	1
2-2		Dust Filter	1	2-5		Power Line(EU/US/CN/AU/UK)	1
2-3		HEPA Filter	1	2-6		User Manual(CE/Neutral)	1

ULTRA-QUIET OIL-FREE COMPRESSOR

HIGH-END QUALITY, DURABLE, STABLE OXYGEN FLOW, NO OIL COMPRESSION

24 HOURS UNINTERRUPTED OPERATION




EFFICIENT


LOW NOISE


COPPER CORE


FAST HEAT
DISSIPATION

SUPER STABLE OXYGEN FLOW



FRANCE IMPORTED CECA MOLECULAR SIEVE

Seamless Alumina Alloy Molecular Sieve Tube to ensure high oxygen concentration

 **OXYGEN CONCENTRATION UP TO 93% ± 3%**

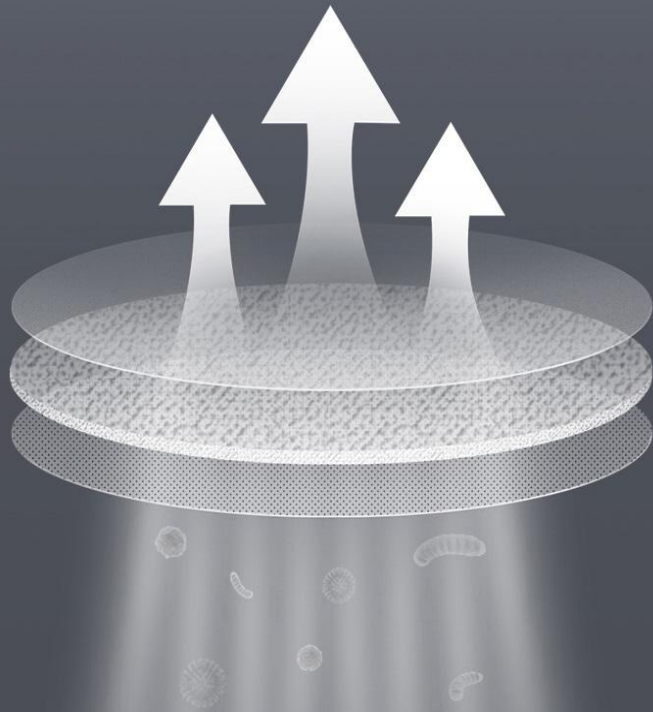
Using air as raw material and using physical Pressure swing adsorption, oxygen and nitrogen in the air are separated and impurities in the air are filtered to obtain high purity oxygen.



HEPA FILTERS AND BACTERIA FILTERS

TEN-STAGE FILTER

INNOVATIVE FIVE-STAGE FILTRATION SYSTEM, NEW UPGRADED LAYER FILTRATION FUNCTION CAN INCREASE THE PURITY OF OXYGEN, SO THAT EVERY BREATH OF OXYGEN IS PURE



PRODUCT SIZE



SIX ALARMS FOR MEDICAL USE

Power failure alarm
(detecting circure & safer)



Low pressure alarm
(examining pressure in real time)



Over-heat alarm
(monitoring the
operating temperature)



High pressure alarm
(examining pressure
in real time)



Low purity alarm
(examining oxygen
concentration)



Maintenance
reminder every
1500 hours (changing
HEPA filter)



INTELLIGENT ALARM FUNCTION, USE MORE AT EASE



- POWER FAILURE ALARM
- TEMPERATURE ALARM
- LOW PURITY ALARM
- HIGH AND LOW PRESSURE ALARM