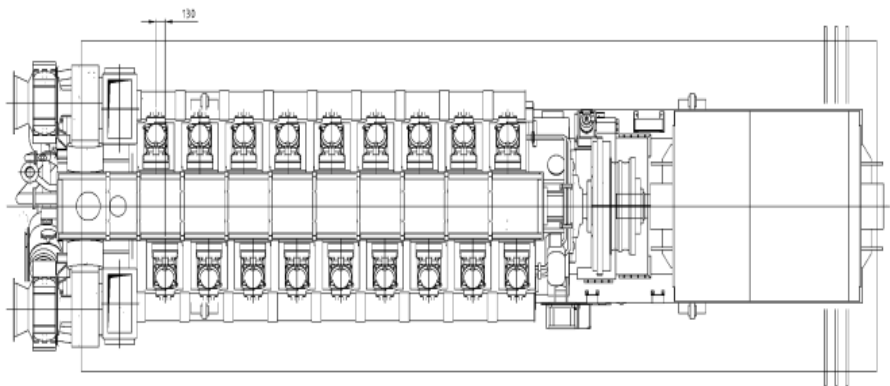
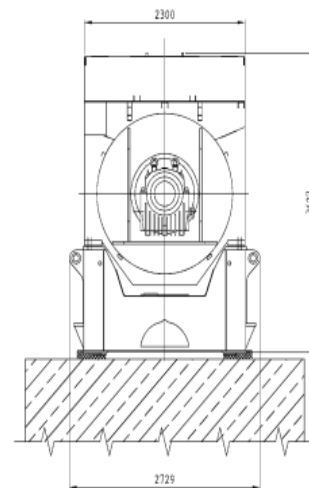
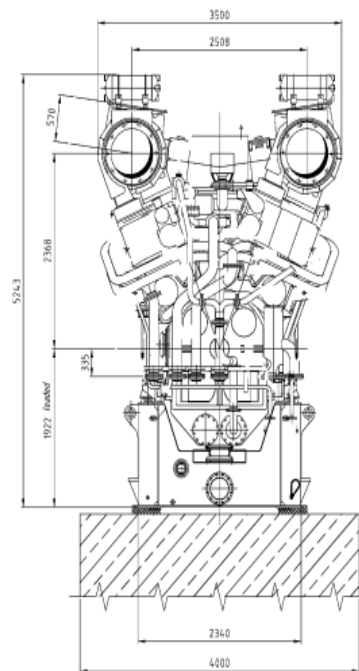
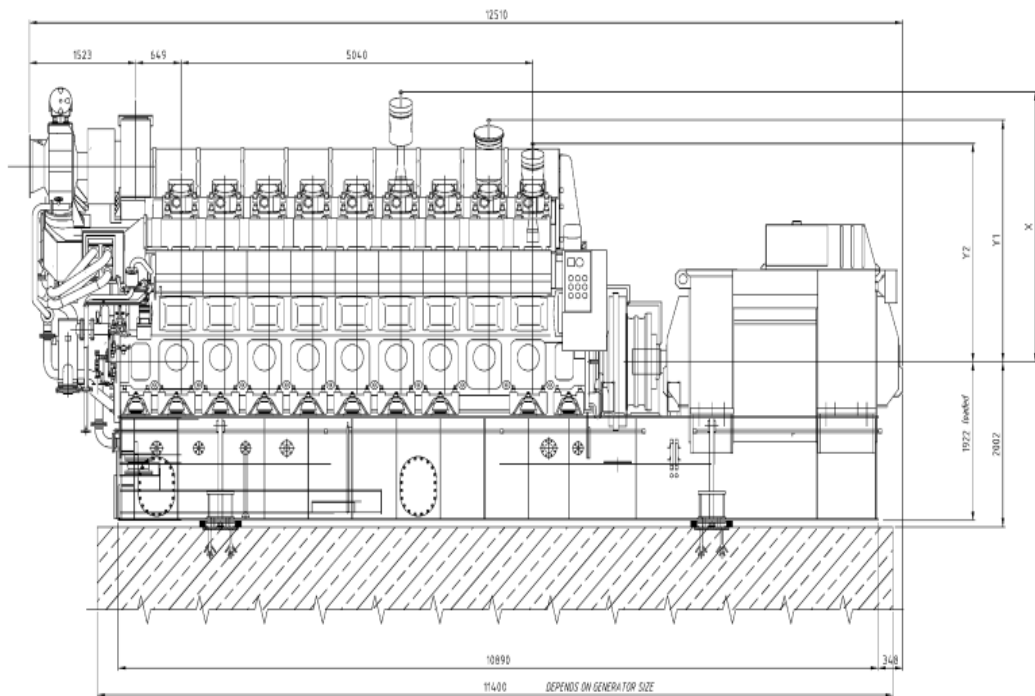
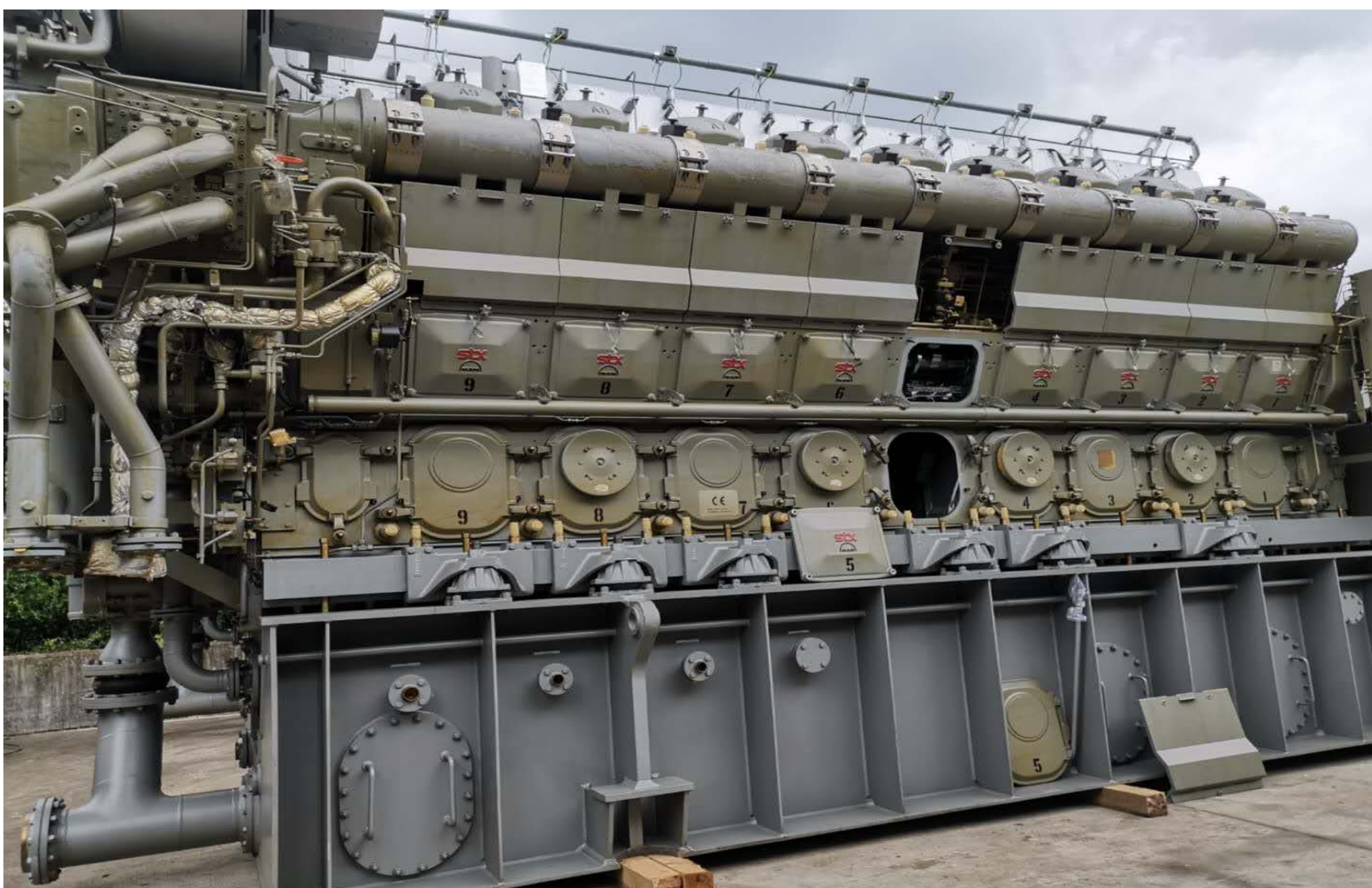


外形尺寸图



	Weight of Genset (TONS)		DIMENSIONS (mm)		
	Dry	Operating	LENGTH	WIDE	HEIGHT
18V 32/40	14.15	152	12510	3500	5243

* data depend on the generator applied







MAN Diesel



MODEL 18V32/40 ENG. NO. SB18V32-10241

MAN ENG. NO. 1 068 394

BORE x STROKE 320 X 400 mm

NO. OF CYL. 18 R.P.M 720

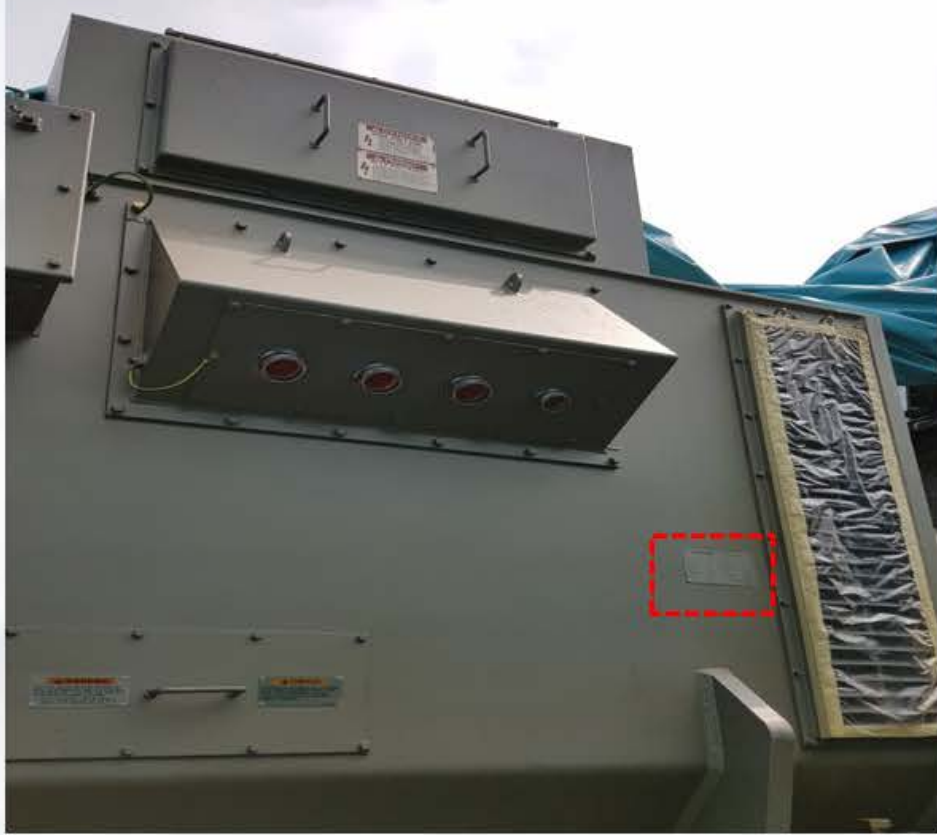
MAX. CONTINUOUS OUTPUT 9080 BHP
kW

FIRING ORDER A1-B1-A3-B3-A5-B5-A7-B7-A9
B9-A8-B8-A6-B6-A4-B4-A2-B2

WEIGHT 108000 kg YEAR 2011.

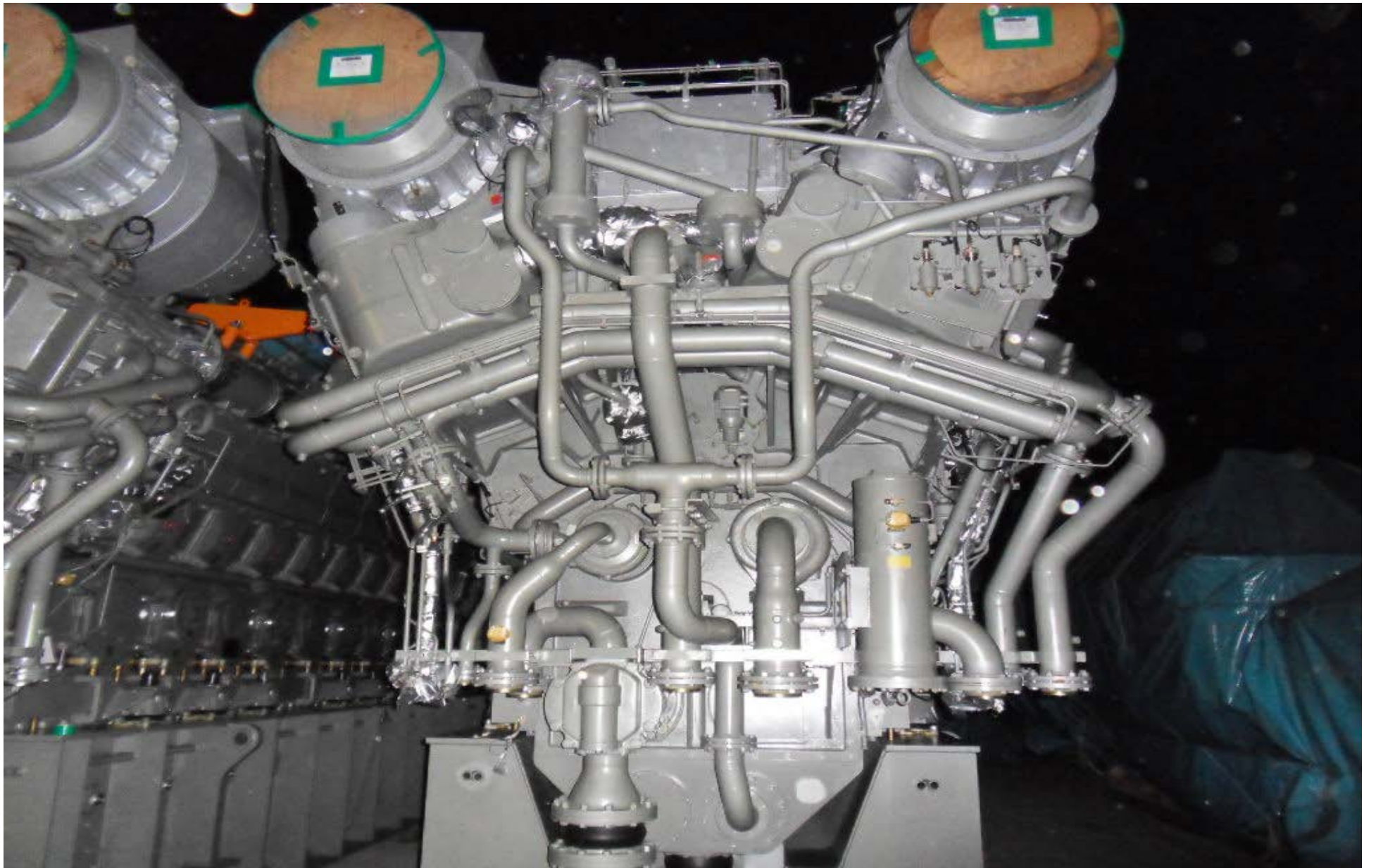
STX Engine

STX Engine Co.,Ltd.
80, SEONGSANDONG, CHANGWON KOREA











5. STX-MAN 18V32/40 Generator Set 保管 状態 (8/11)





5. STX-MAN 18V32/40 Generator Set 保管 状態 (11/11)











机器箱单照

