

AIRCRAFT B747-251F

GENERAL DATA

AIRCRAFT MODEL	B747-251F
TYPE	FREIGHTER NOSE LOADER
YOM	1975
TSN	108.000H
CYCLE	26.300

WEIGHT DATA

MAXIMUM TAXI WEIGHT	778Ibs
MAX T/OFF WEIGHT STAGE 3	775,000Ibs
MAX LANDING WEIGHT	630,000Ibs
MAX ZERO FUEL WEIGHT	590,000Ibs
OPERATORS EMPTY WEIGHT	335,000Ibs
PAYLOAD	253,000Ibs

ENGINE & APU

ENGINE TYPE	P&W JT9-7AH
APU TYPE	GARRETTE GTCP-660-4

ENGINE	FIRST LIMITER
1	1,045 CYCLES T2
2	1,075 CYCLES T2
3	1,020 CYCLES T2
4	907 CYCLES T2
APU	7,935 CYCLES

LANDING GEARS

POSITION	S/N	LIMIT	DUE DATE
NLG	93906	120M	DUE DATE
LBLG	00.100	120M	DUE DATE
RBLG	00.200	120M	DUE DATE
LWLG	5376	120M	DUE DATE
RWLG	1127	120M	DUE DATE

INTERIOR CONFIGURATION

CARGO PAYLOAD	115T
VOLUME	25,513CF
PALETS MAIN-DECK	33 (88 in. x 108 in.)
	29 (96 in. x 125 in.)

CURRENT PROGRAM

CHECK	INTERVAL	REMAINING
1/2A CHECK	300H	137H
1A CHECK	600H	485H
2A CHECK	1,200H	813H
3A CHECK	1,800H	1,298H
4A CHECK	2,400H	1,109H
5A CHECK	3,000H	2,106H
6A CHECK	3,600H	3,471H
H CHECK	18,000H	5,243H
L CHECK	6,000H	2,424H
L2 CHECK	12,000H	8,424H
M CHECK	36,000H	10,366H

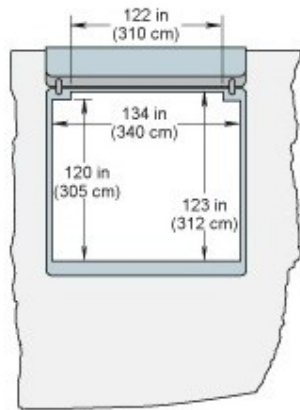
PROPOSED POST MAINTENANCE PROGRAM

CHECK	INTERVAL	REMAINING
A1 CHECK	500H	500H
A2 CHECK	1,000H	1,000H
A4 CHECK	1,500H	1,500H
C1 CHECK	3,600H	3,600H
C2 CHECK	7,200H	7,200H
C3 CHECK	10,800H	10,800H
C4 CHECK	14,400H	14,400H
C5 CHECK	18,000H	8,000H
C6 CHECK	21,600H	11,600H
C7 CHECK	25,200H	15,200H

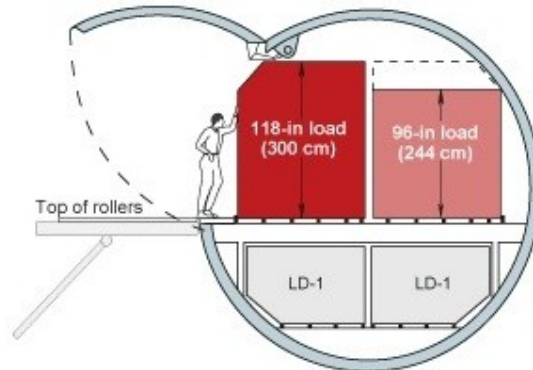
AVIONICS

HF TRANSMITTERS
VHF TRANSMITTERS (8,33 MHz)
VHF NAV (FM IMMUNE)
INU (LITTON 92, GPS UPDATE
SELCAL
COCPIT VOICE RECORDER
AIR DATA COMPUTER
VOR / ILS RECEIVERS
FLIGHT DIRECTOR
MARKER BEACONS
WEATHER RADAR
RADIO ALTIMETER
GPWS
EGPWS
GPS
DME
ADF
MODE S TRANSPONDERS
RNAV
TCAS
ELT (406 MHz)



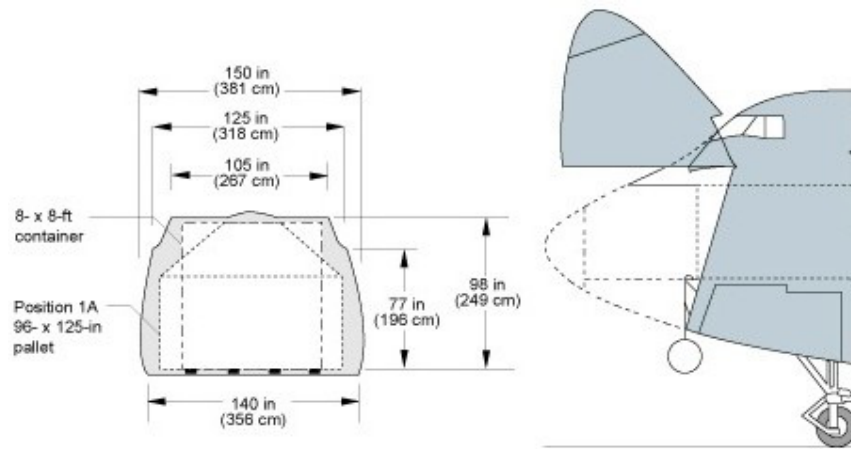


Side view



Rear view

NOSE CARGO DOOR of the 747-200F



LOWER DECK

Efficient Decks of the 747-200F handles

