

A330-200 Pax Freighter Specifications



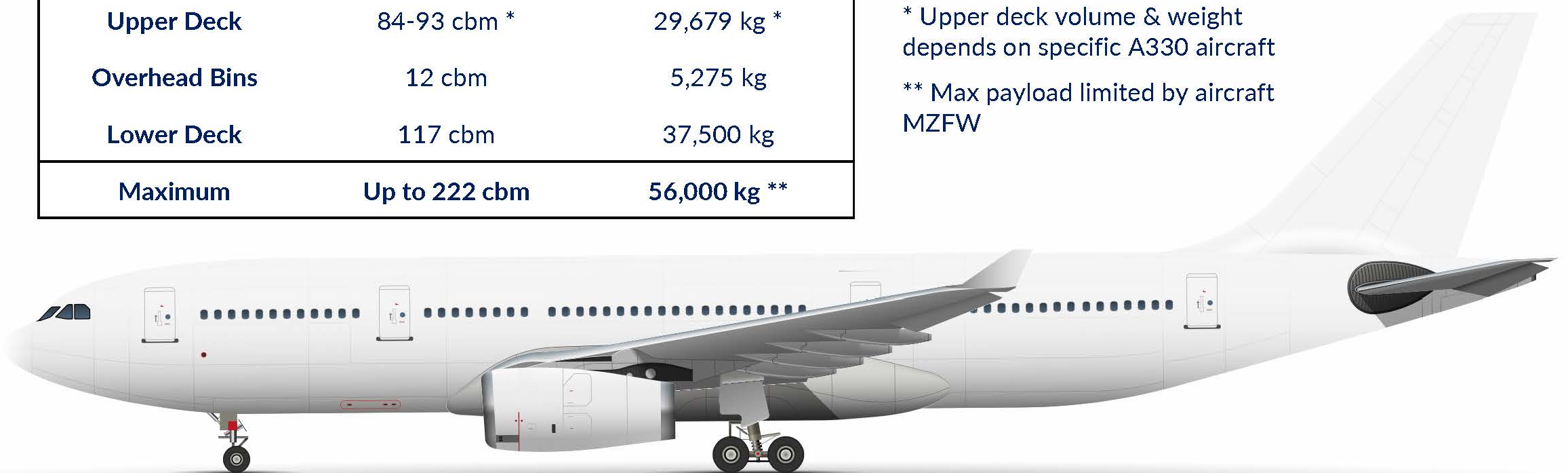
Auxiliary Cargo Fleet

A330-200 Fleet

CARGO HOLD	MAX VOLUME	MAX PAYLOAD
Upper Deck	84-93 cbm *	29,679 kg *
Overhead Bins	12 cbm	5,275 kg
Lower Deck	117 cbm	37,500 kg
Maximum	Up to 222 cbm	56,000 kg **

* Upper deck volume & weight depends on specific A330 aircraft

** Max payload limited by aircraft MZFW



Lower Deck Cargo Capacity

CONTAINER/ PALLET TYPE	FWD	AFT	BULK
Max Load Weight per Cargo Hold	18,869Kg	15,241Kg	3,468kg
Max Weight/Vol. per Pallet Type	PMC or P6P (LD7) - 5,100Kg / 11m3	PMC or P6P (LD7) - 5,100Kg / 11m3	
Max Weight/Vol. per Pallet Type	PAG or P1P (LD7) - 4,600Kg / 10.80m3	PAG or P1P (LD7) - 4,600Kg / 10.80m3	
Max Weight/Vol. per Container Type	AKE (LD3) - 1,516Kg / 4.50m3	AKE (LD3) - 1,516Kg / 4.50m3	
Cargo Configurations	4 PMC + 2 AKE or 14 AKE	4 PMC or 12 AKE	BULK



Recommended Lower Deck Layout

	TYPE	QTY	DIMENSIONS	VOLUME (cbm)	MAX WEIGHT (kg)
Pallets	PMC	8	243.84 x 317.50	88.00	5,100.00
Containers	LD3	2	192 x 145 x 162	9.00	1,516.00
Bulk		1		20.00	3,468.00
Total Lower Deck				117.00	37,578.00 LOWER DECK MAX

Airbus A330-200



General

A330-200

CF6-80E1A4 Engines

68,530lbs Thrust

Weights & Volumes

MTOW 233T

MLW 182T

OEW 114T

MZFW 170T

Fuel Capacity 114T

Max Payload 56T

Dimensions

Length 59M

Height 18M

Wingspan 60M

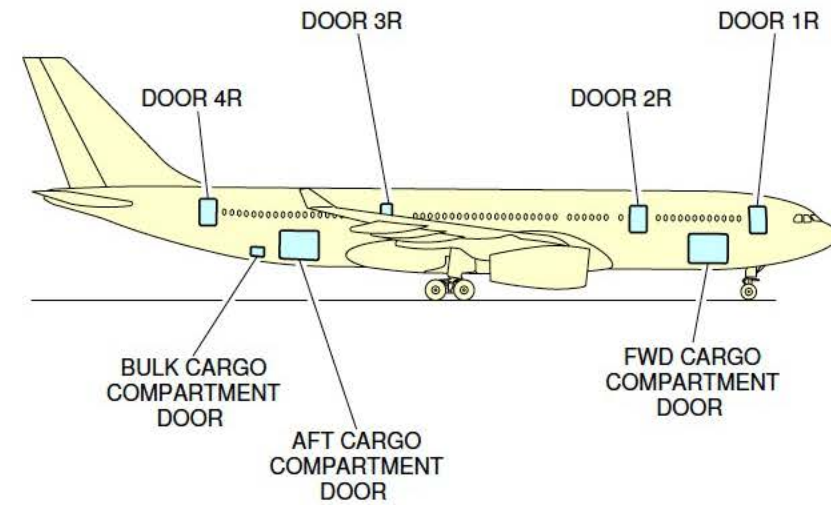
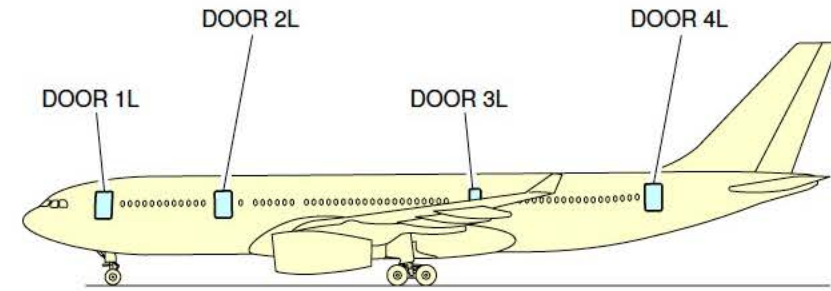
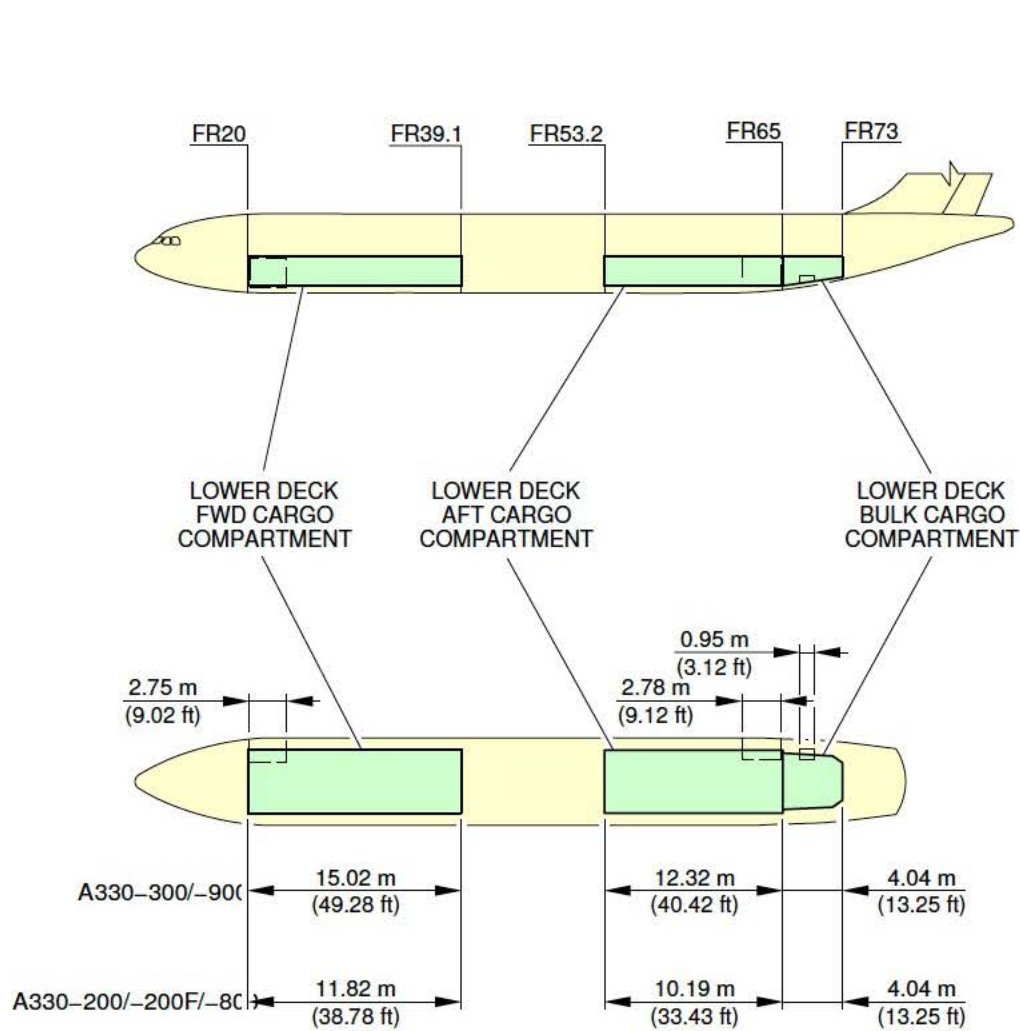
Lower Deck Cargo Capacity

Max Weight 37.5T

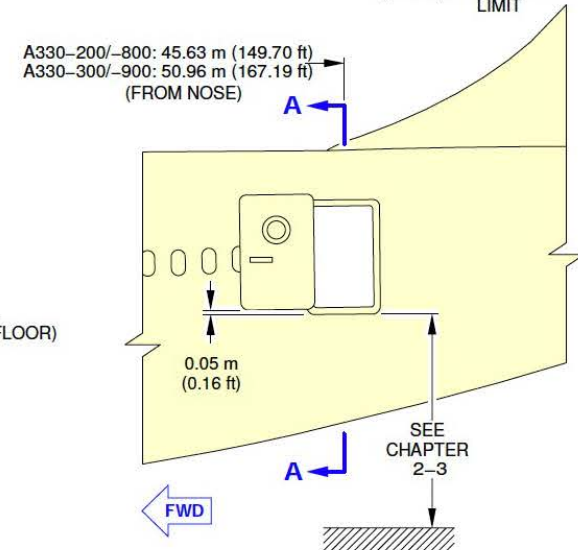
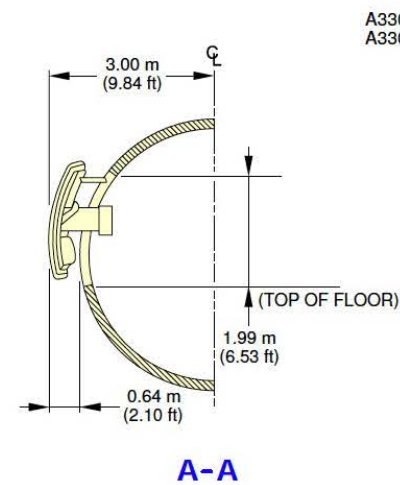
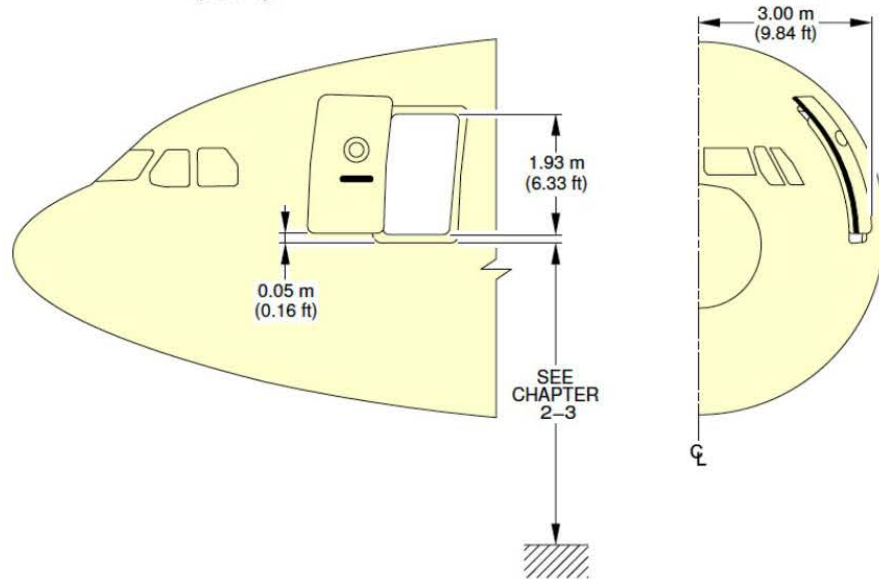
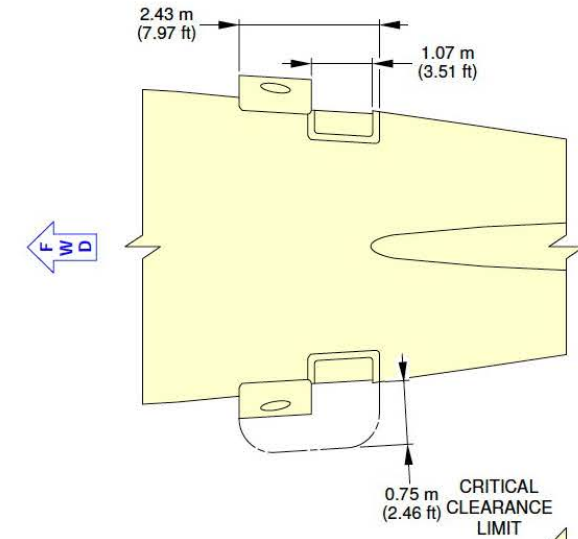
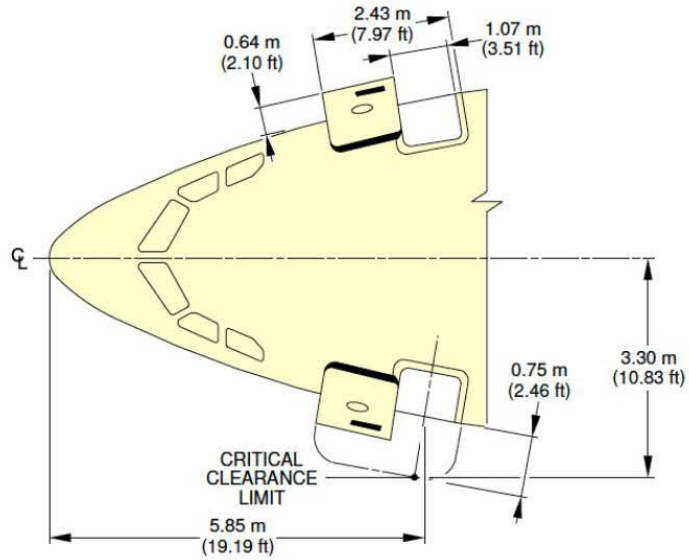
Containers 26x AKE / LD3

Pallets 8x PMC + 2x AKE

Lower Deck Cargo Bay Dimensions and Door Locations

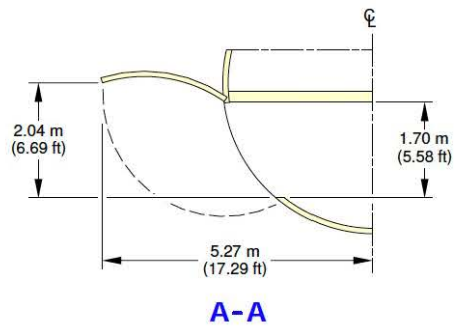
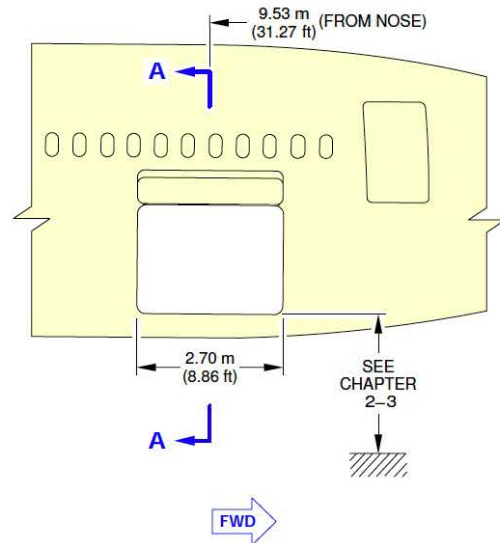


A330-200 Passenger Door Dimensions

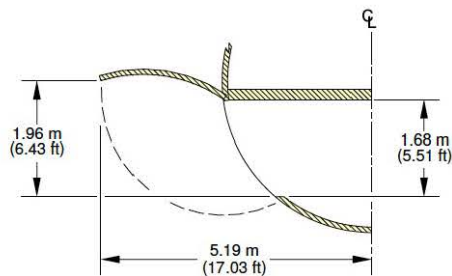
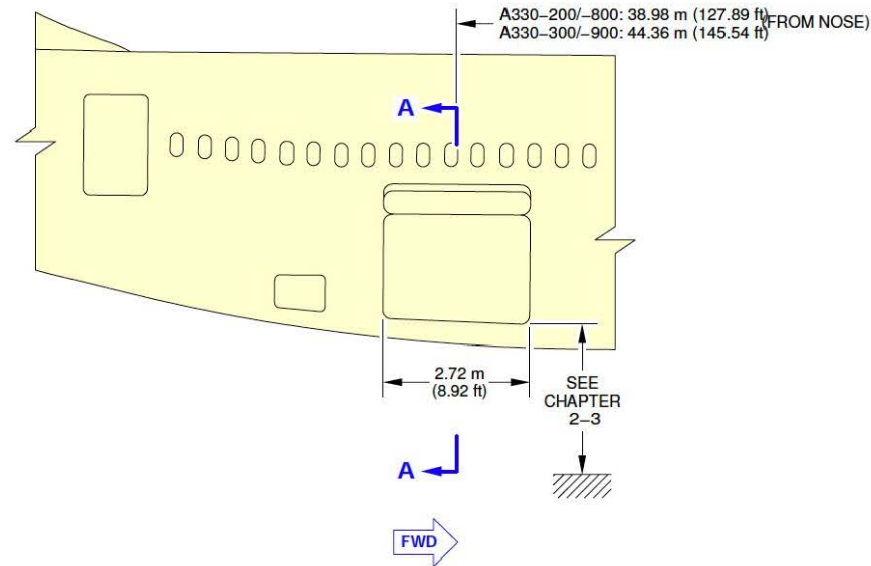


A330-200 Cargo Door Dimensions

Fwd



Aft



Bulk

