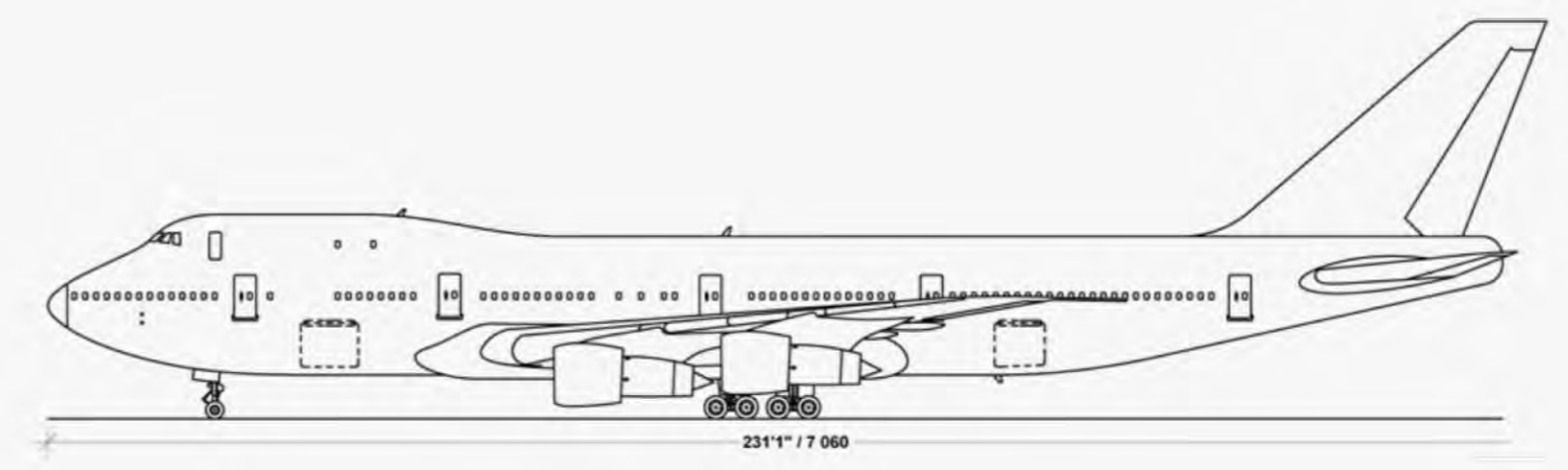
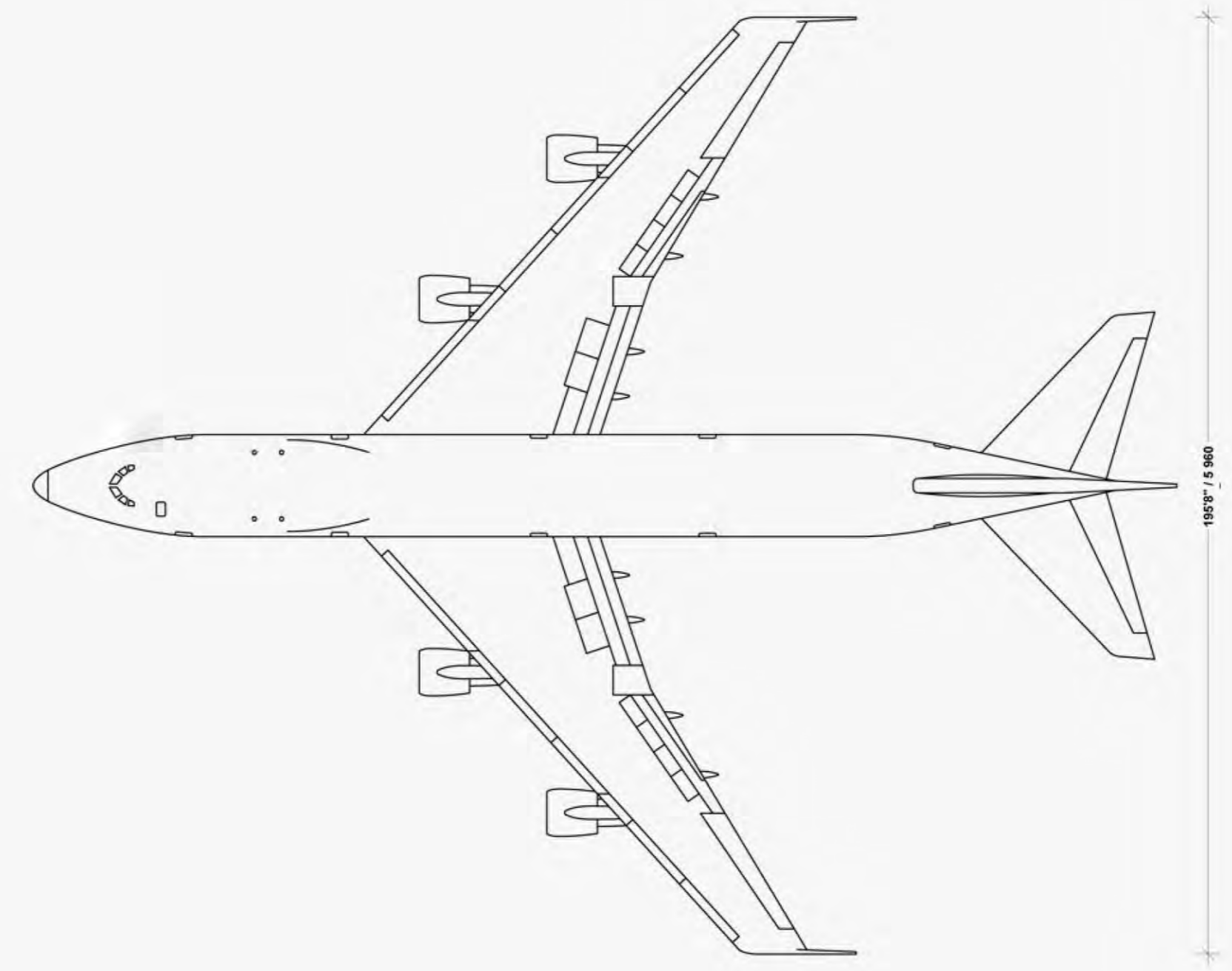
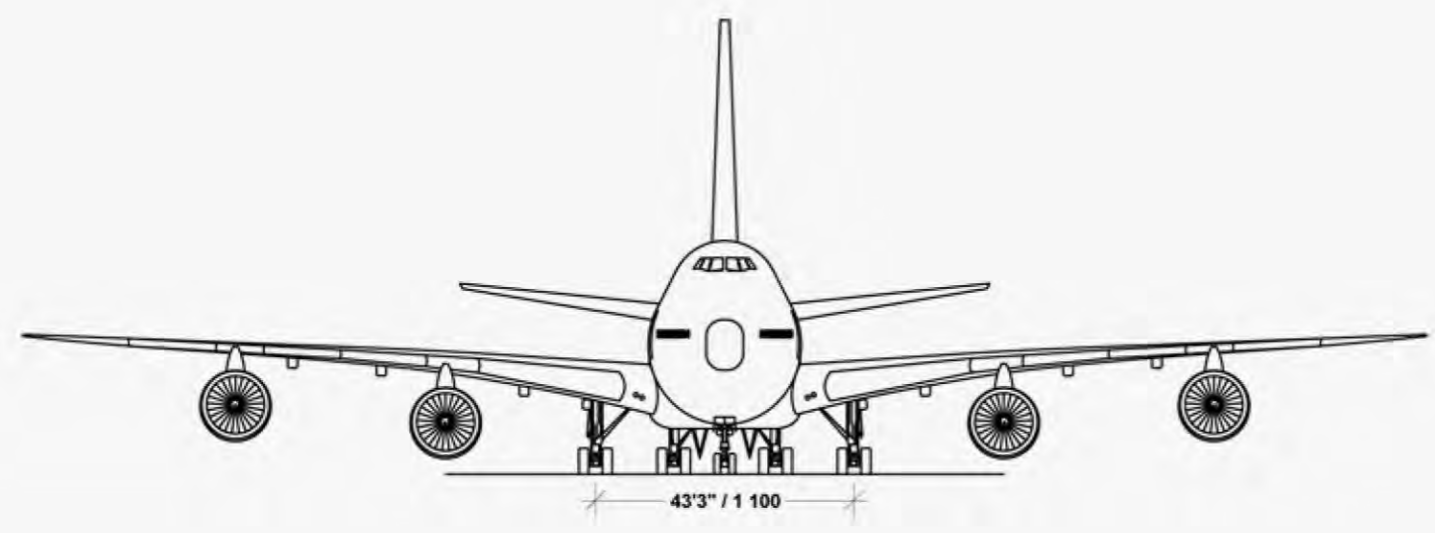
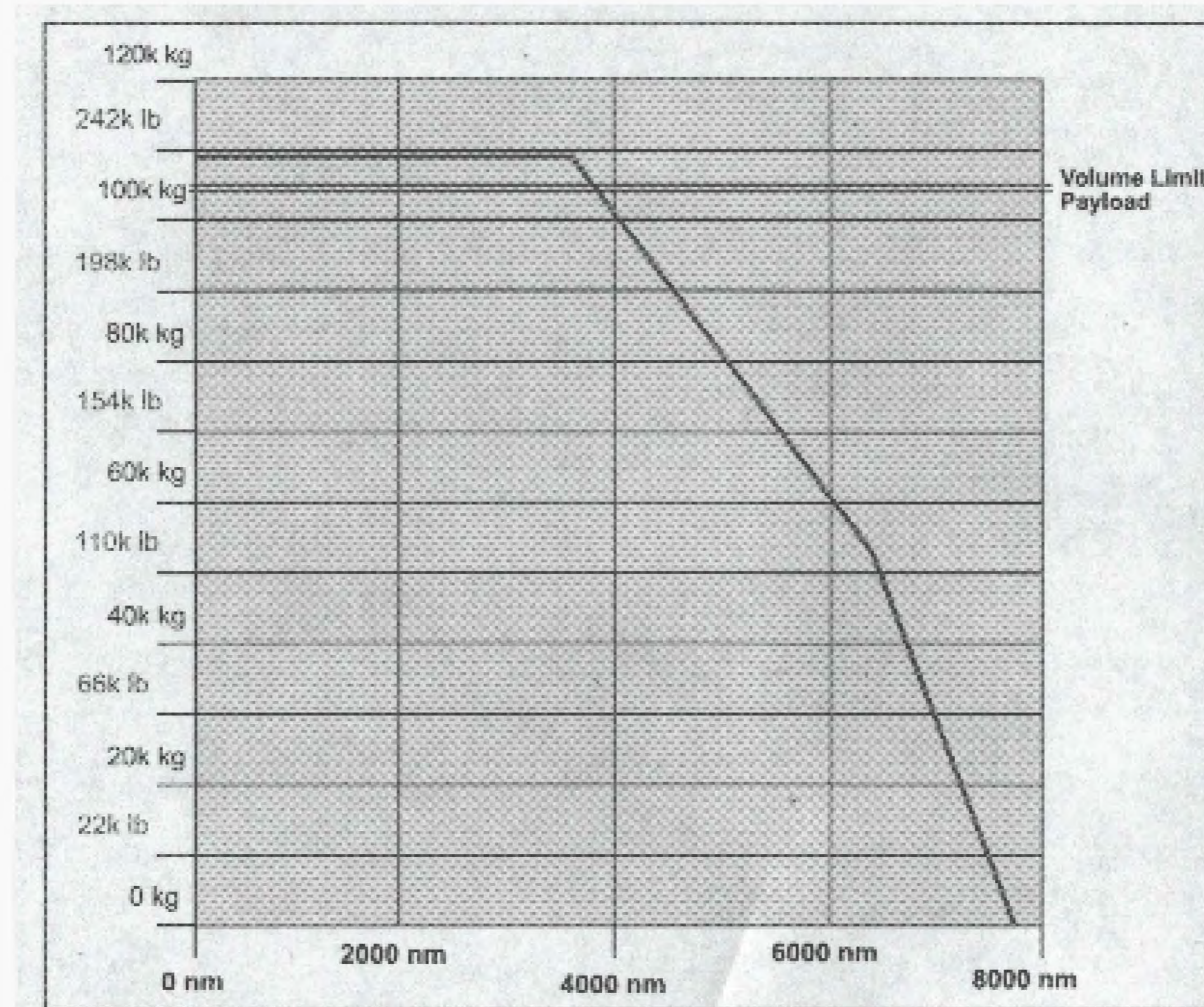


Cargo Freighter Specifications



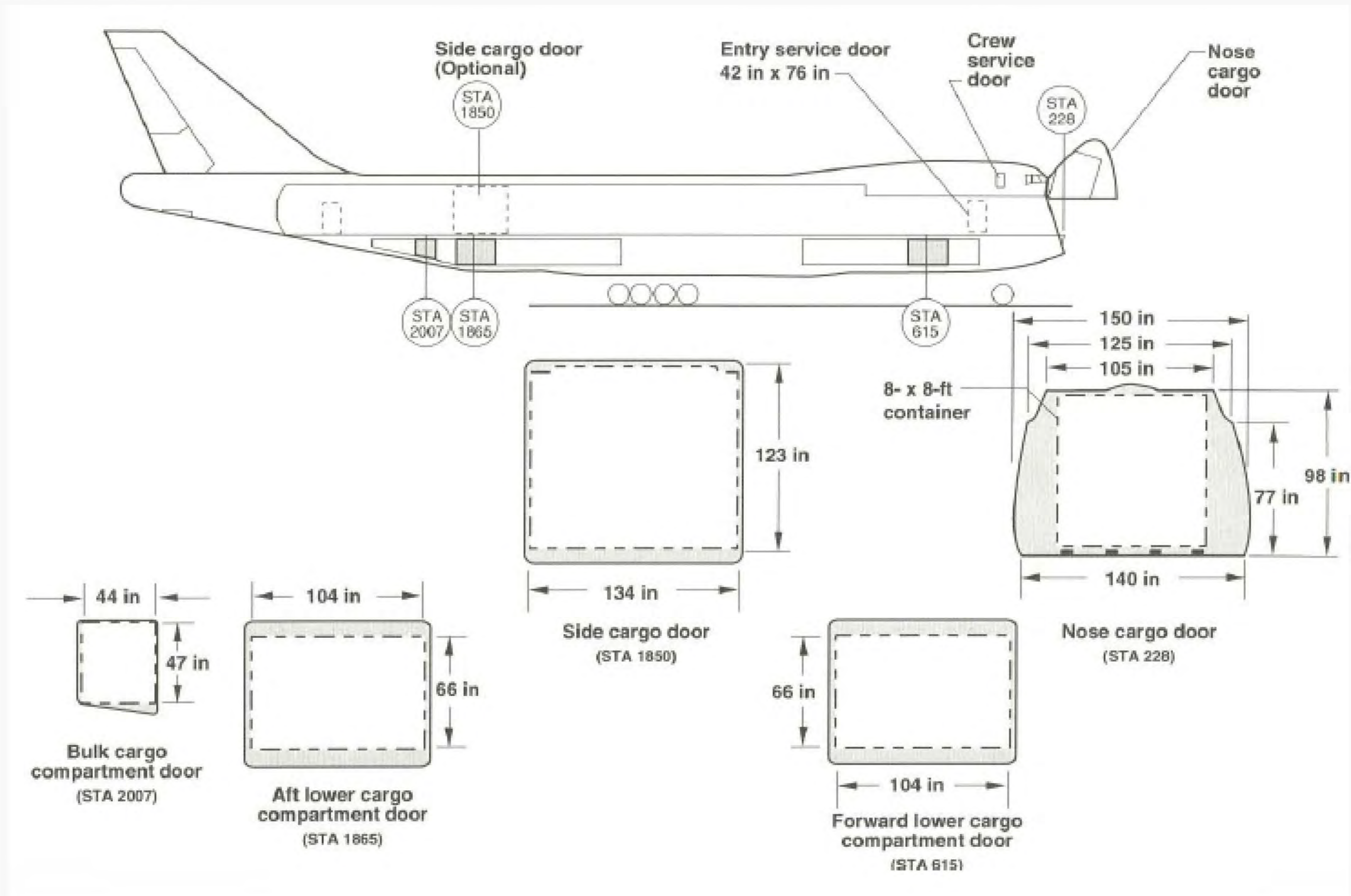


Payload-Range

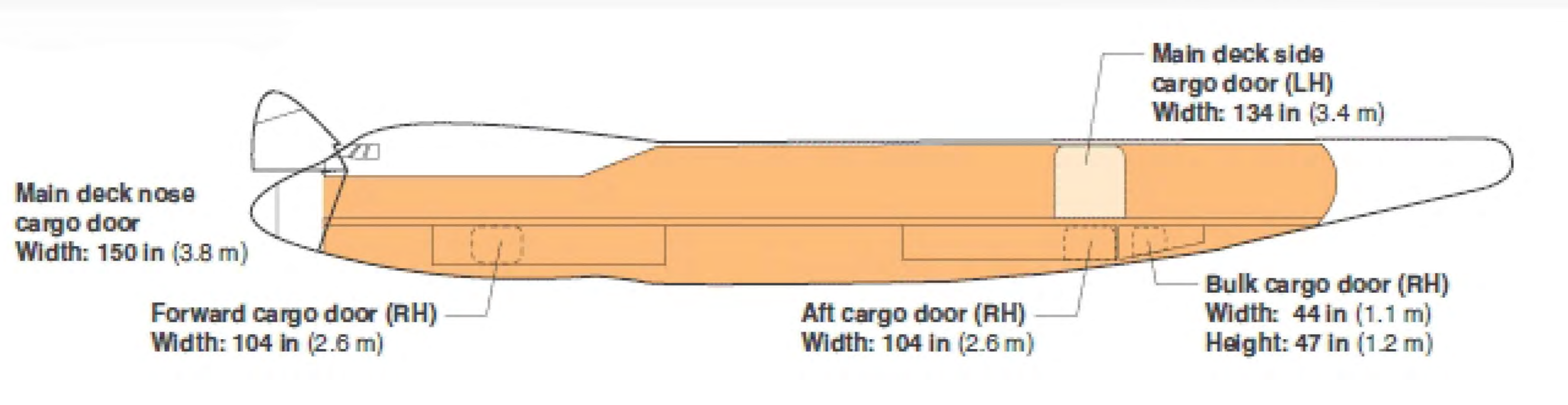


PAYLOAD-RANGE

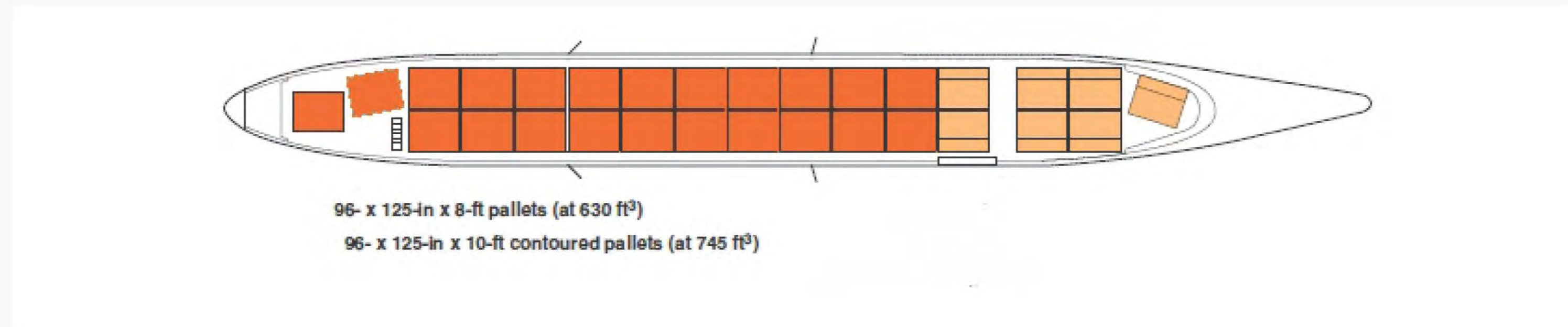
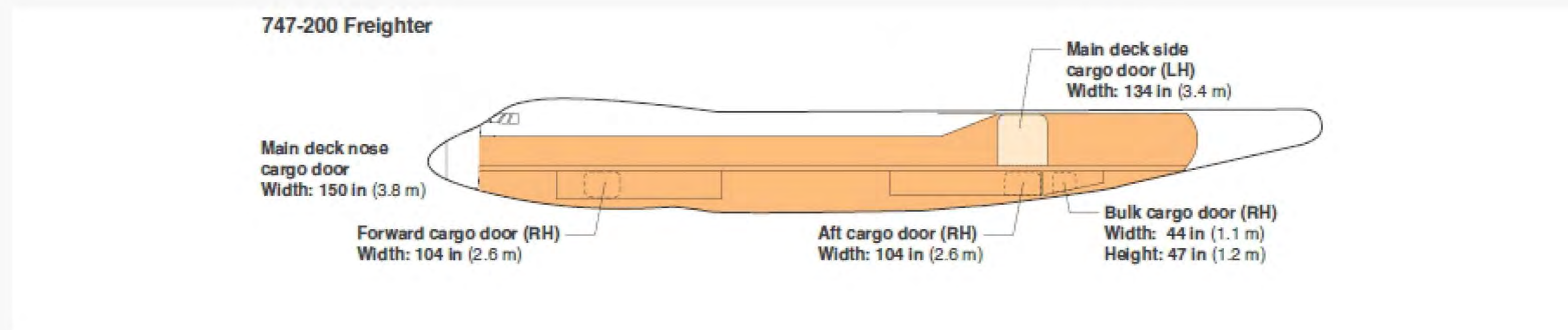
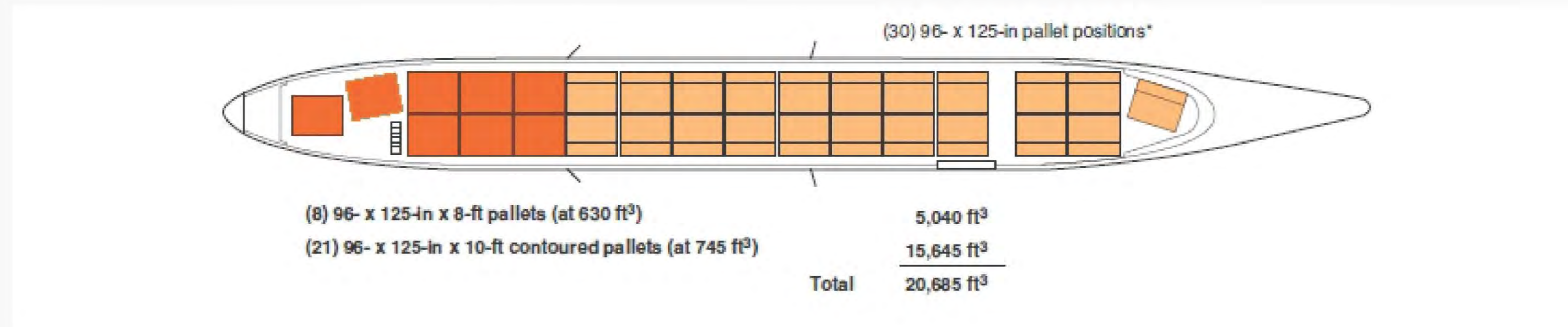
Loading Specification



Nose and Side Door Loading

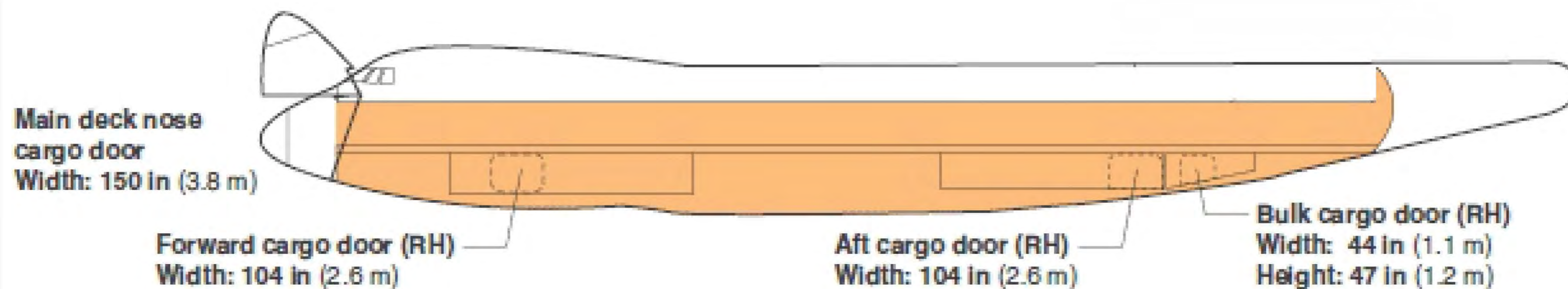


29 Pallets on Main Deck

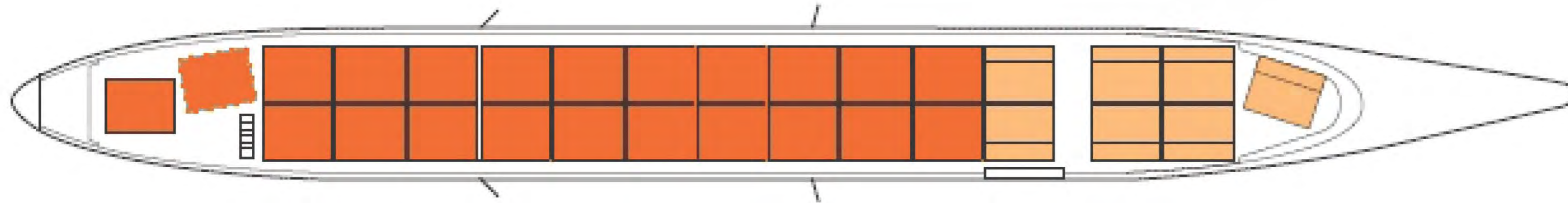


Nose Door Loading Only

747-200 Freighter



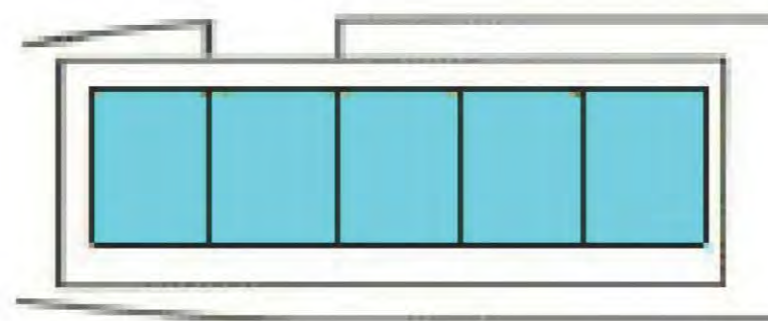
29 (Q6) Pallets on Main Deck



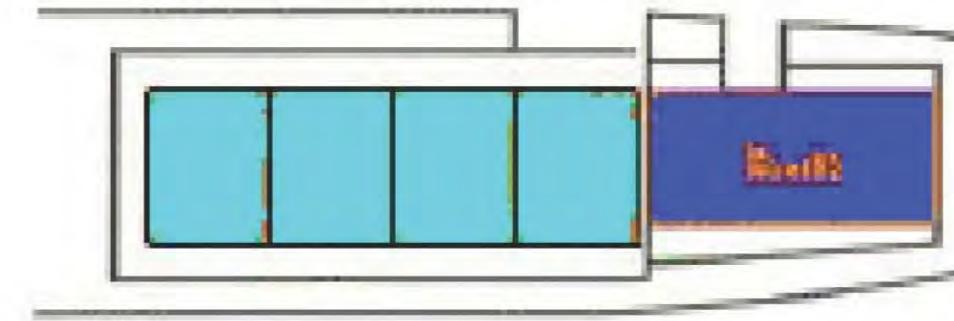
96- x 125-in x 8-ft pallets (at 630 ft³)

96- x 125-in x 10-ft contoured pallets (at 745 ft³)

Lower hold

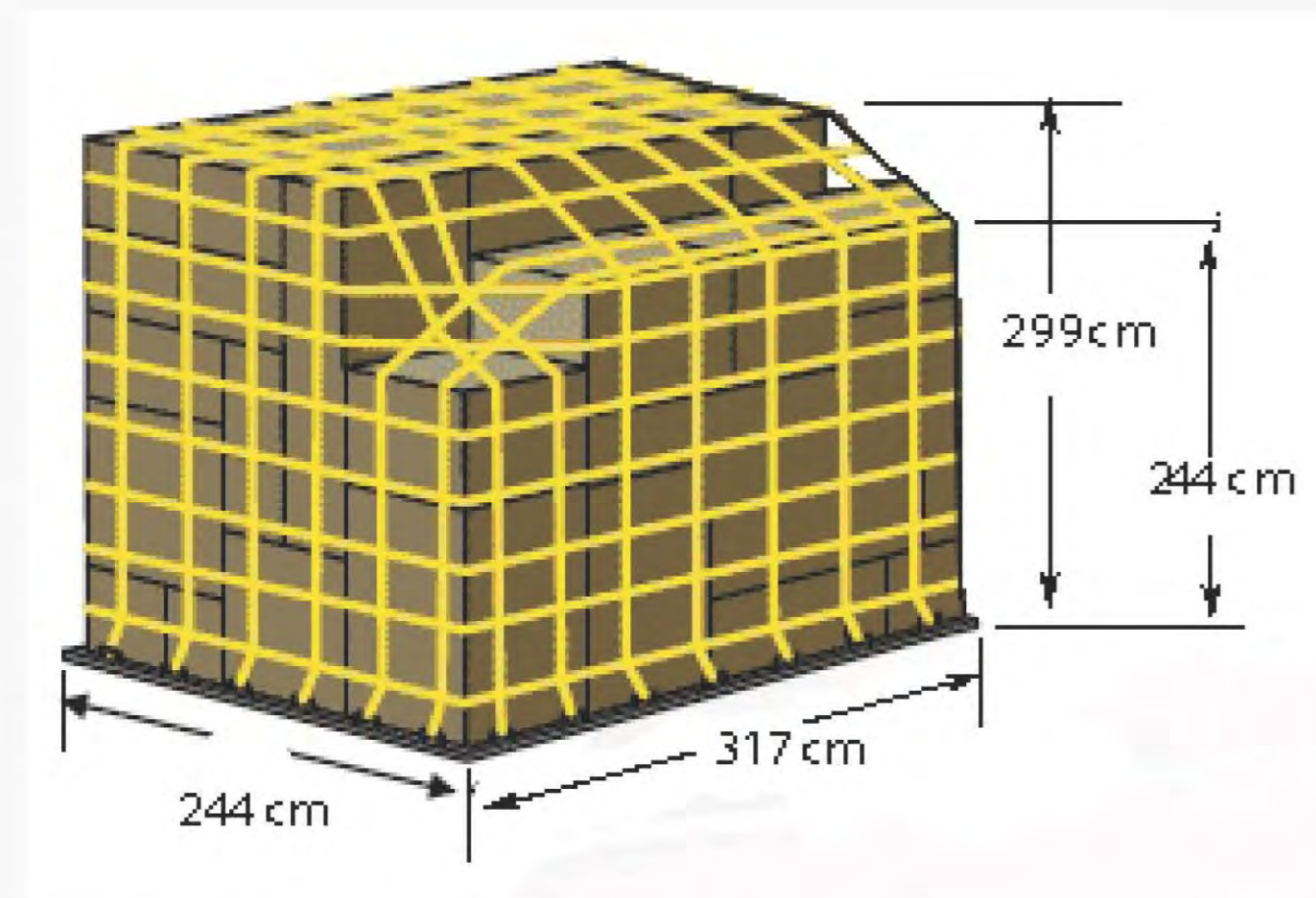


Nine 96- x 125-in pallets

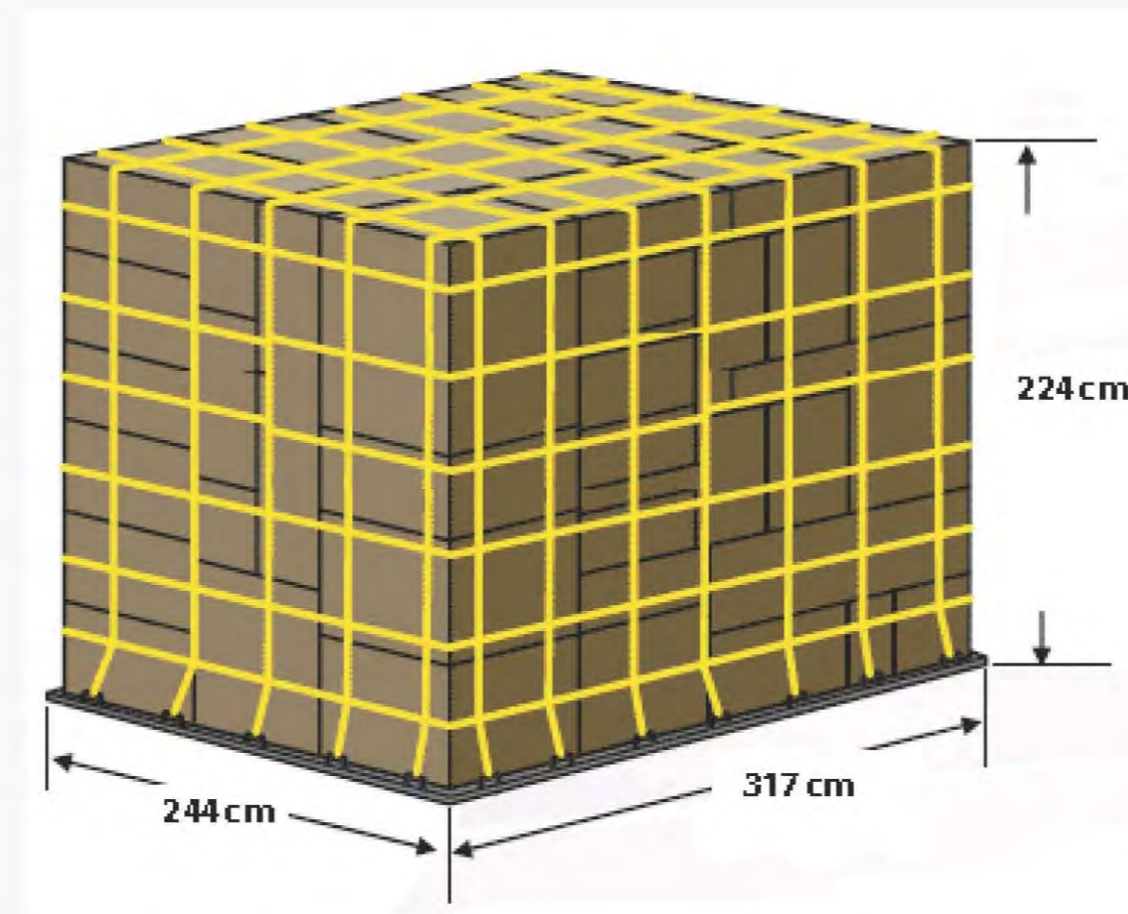


800 ft³ bulk

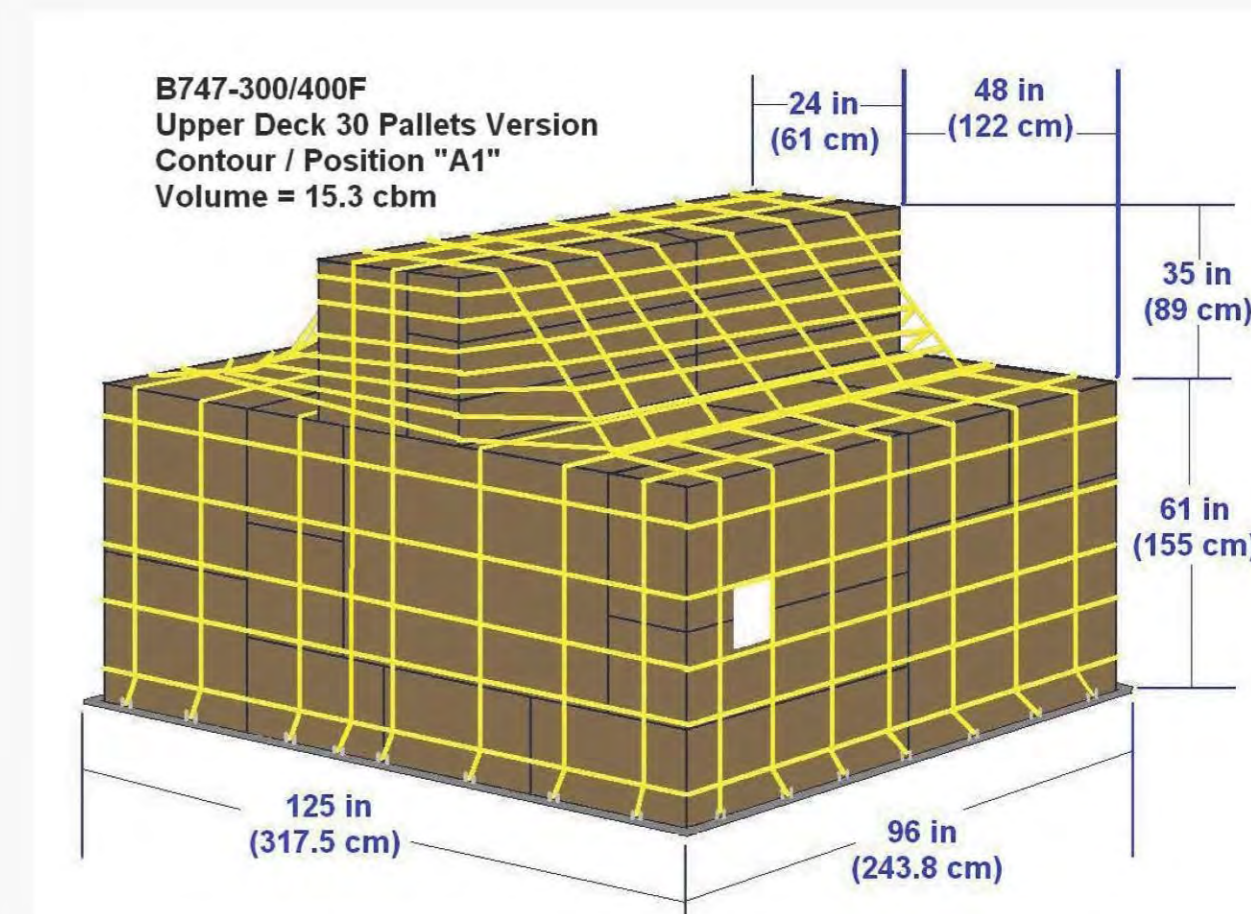
ULD Reference



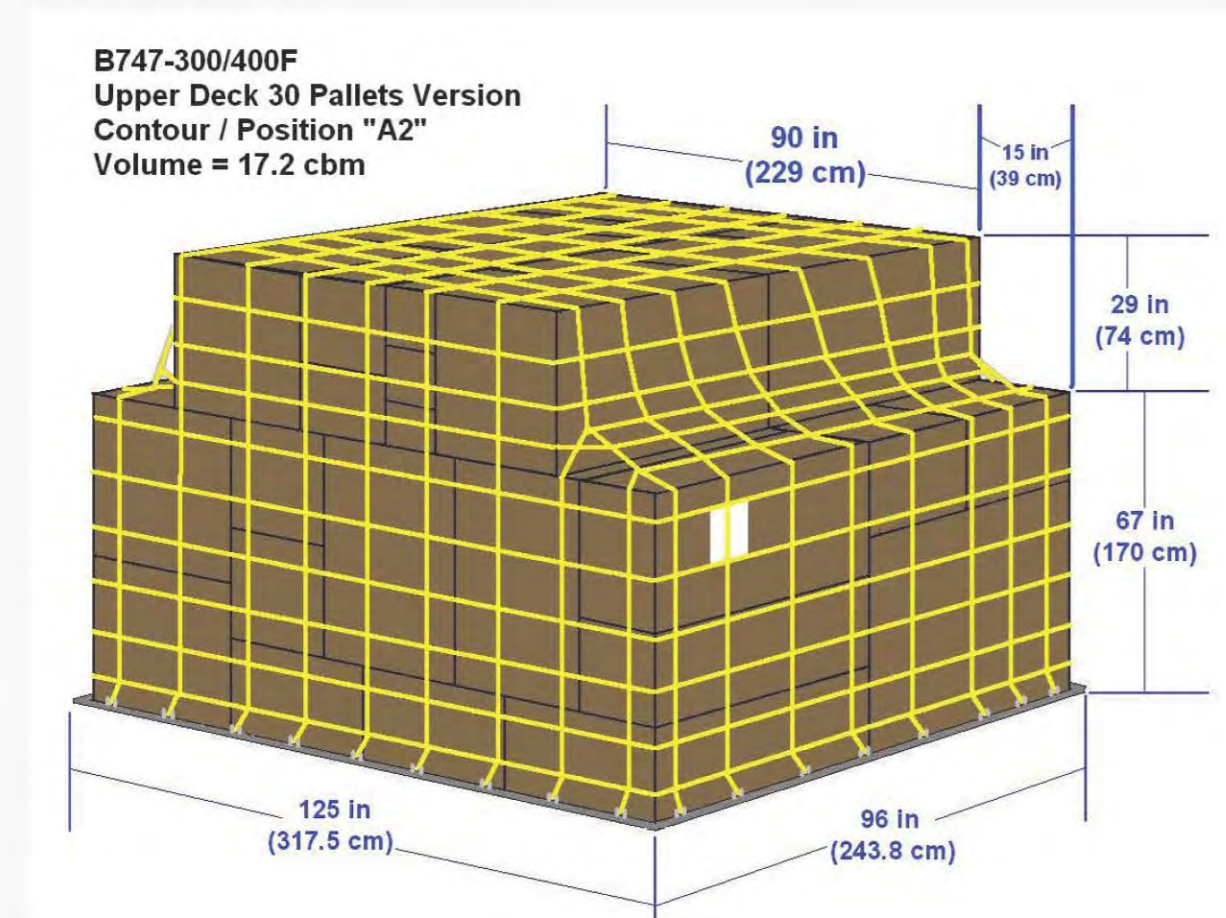
Refer to above Main Deck
(Pink color)



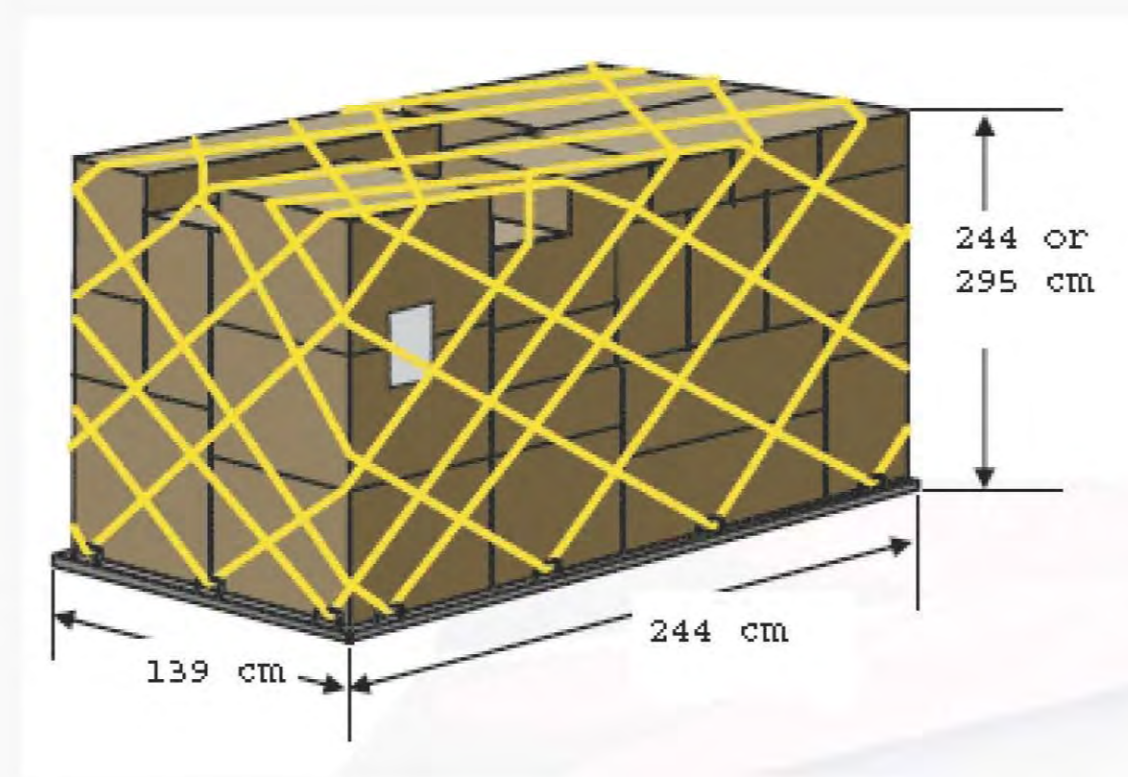
Refer to above Main Deck
(Orange color)



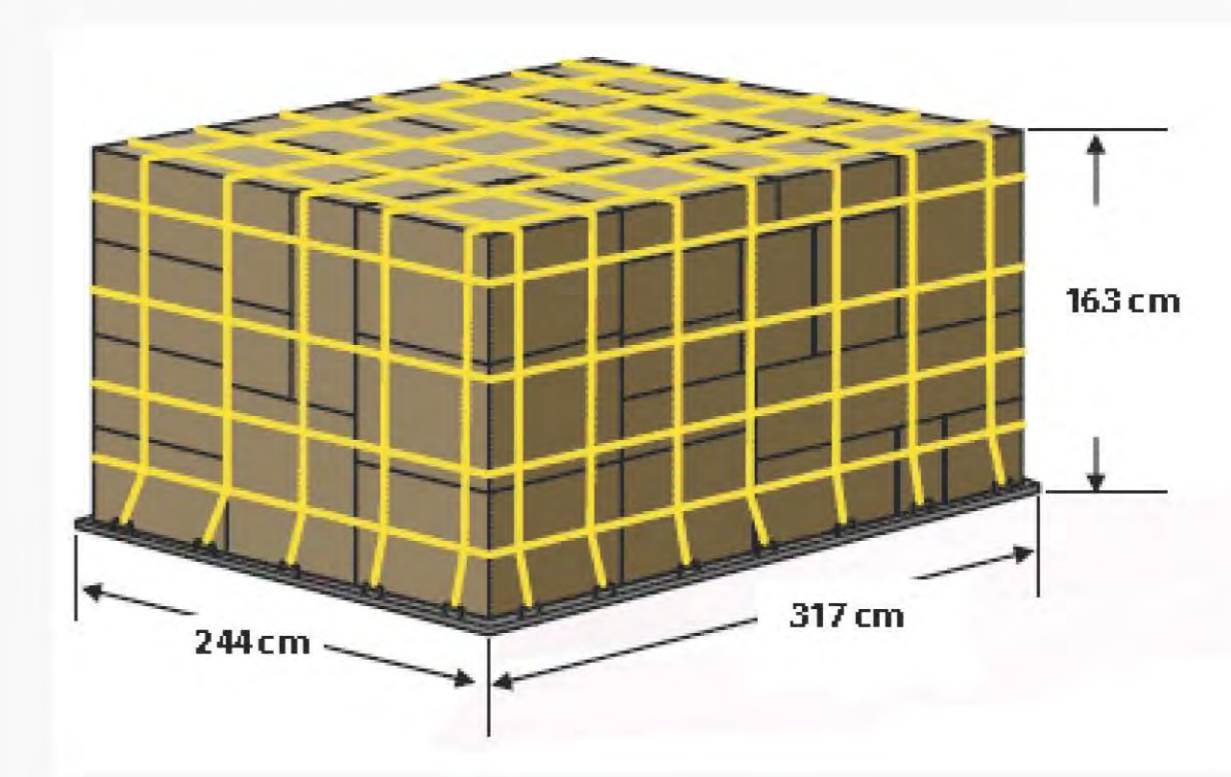
Refer to above Main Deck
(Green color)



Refer to above Main Deck
(Red color)



Refer to above Lower Deck
(Blue color)



Refer to above Lower Deck
(Blue color)

Payload (Tons)	105,000
Volume (cbm)	600
Main Door Dimension (LxH, cm)	341x310
Nose Door Dimension (LxH, cm) **	325x244
Bulk Door Dimension (LxH, cm)	112x120
Max Range (km)	6,694
Cruise speed (km/h)	907
MTOW (kg)	377,800
MZFW (kg)	276,600
Crew & Cargo Attendants	3
Max fuel capacity (kg)	202,000
Average fuel burn (tons/h)	15.5
Minimum runway (m)	3,190

Note: **Not all B747-200F with Nose door.