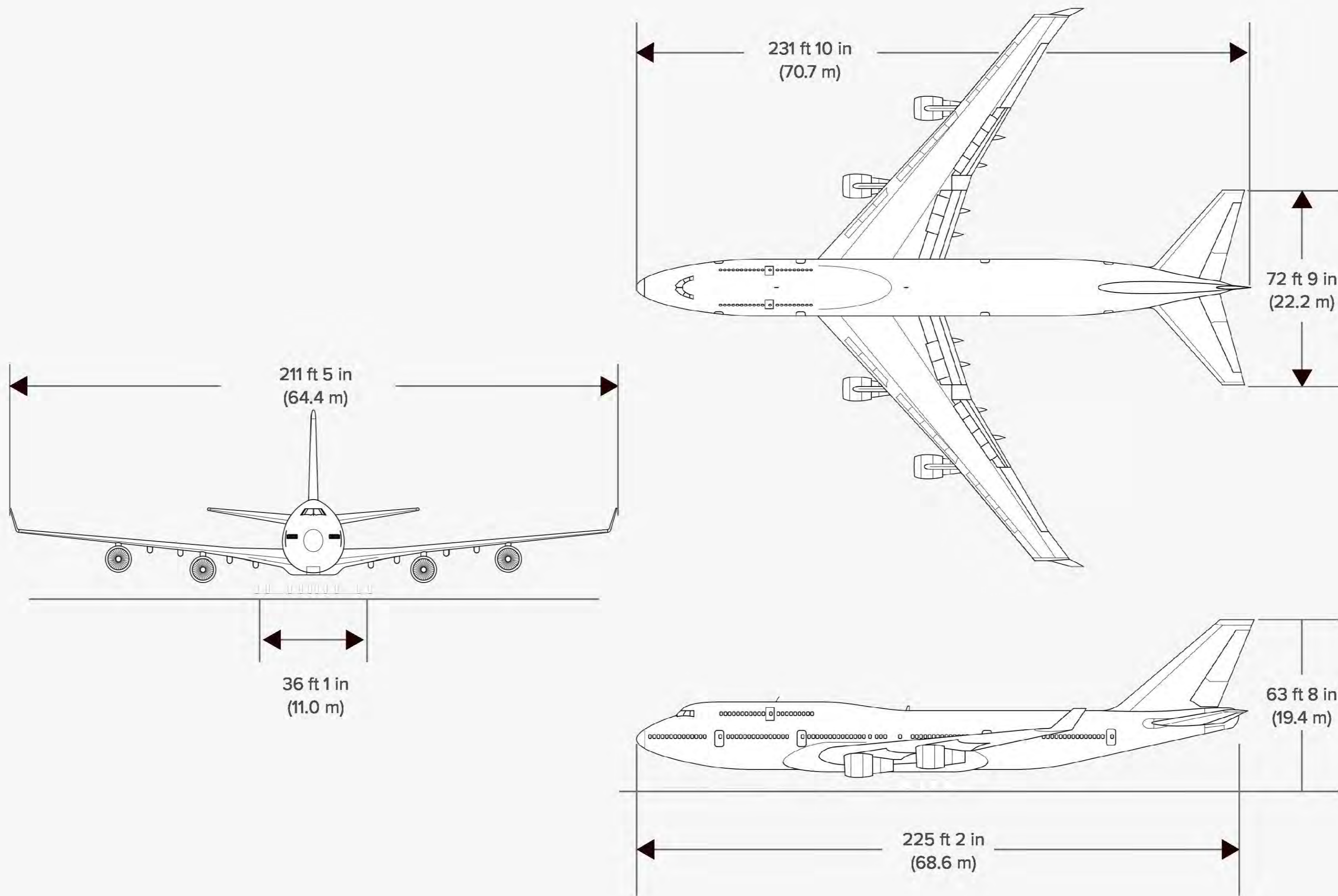
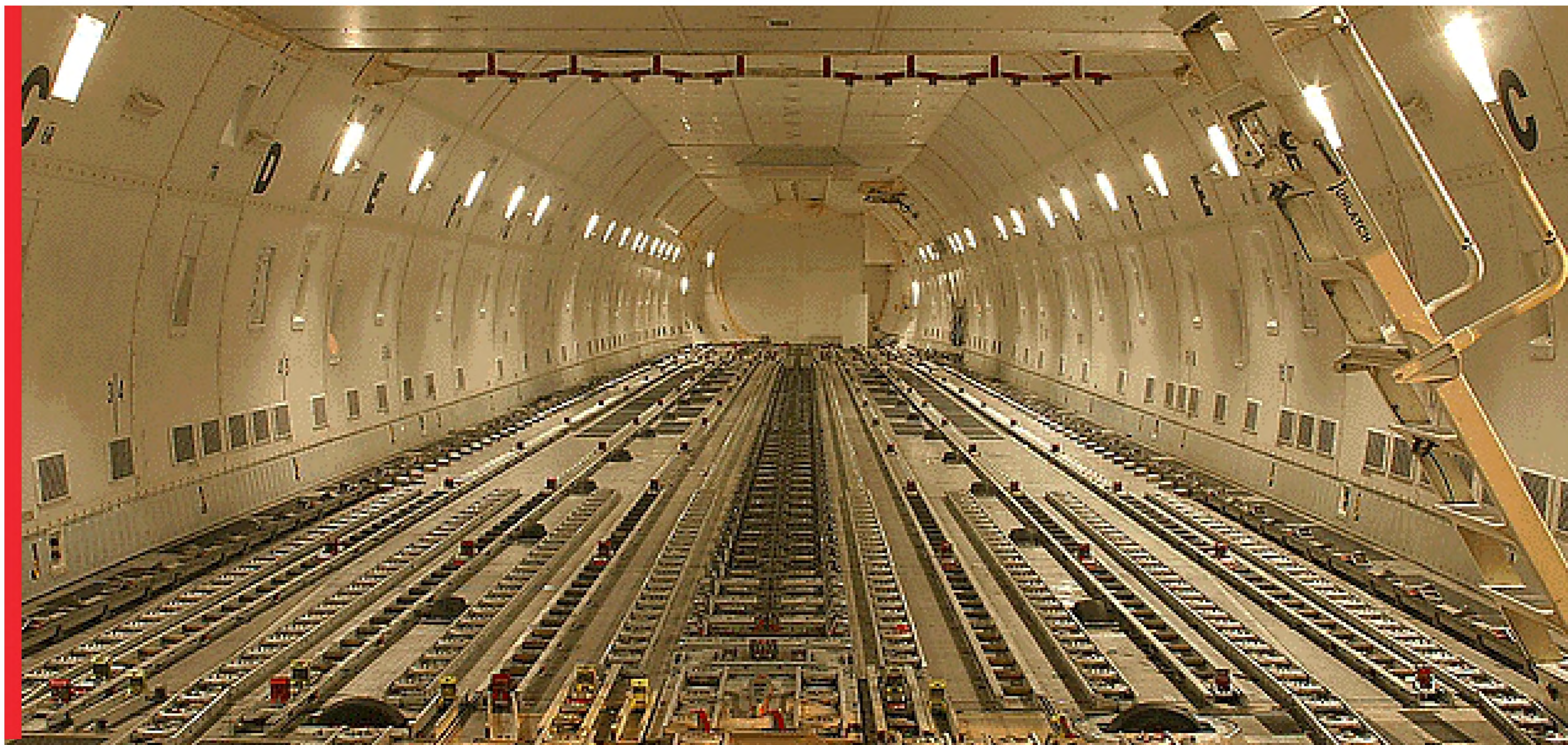
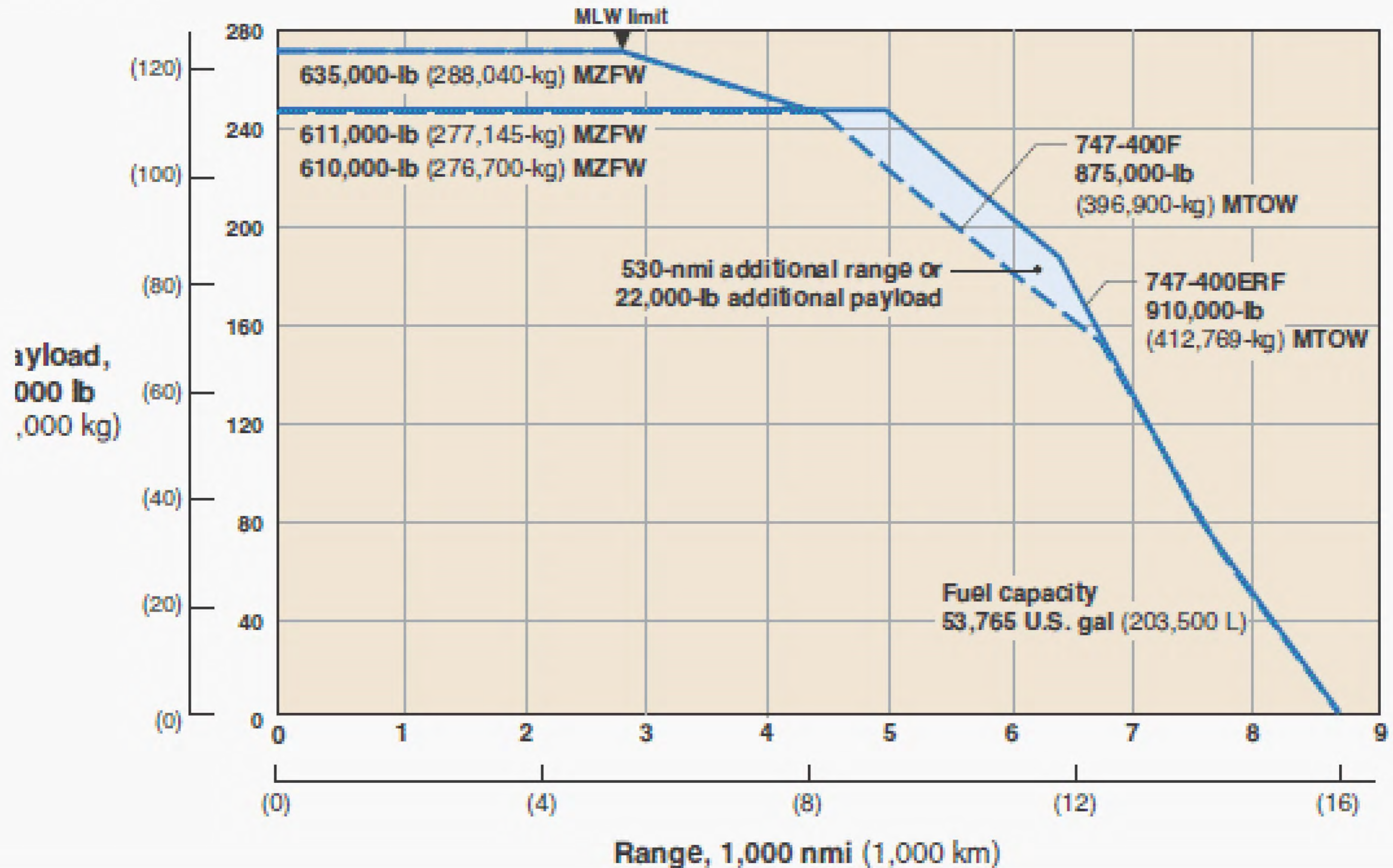


Cargo Freighter Specifications

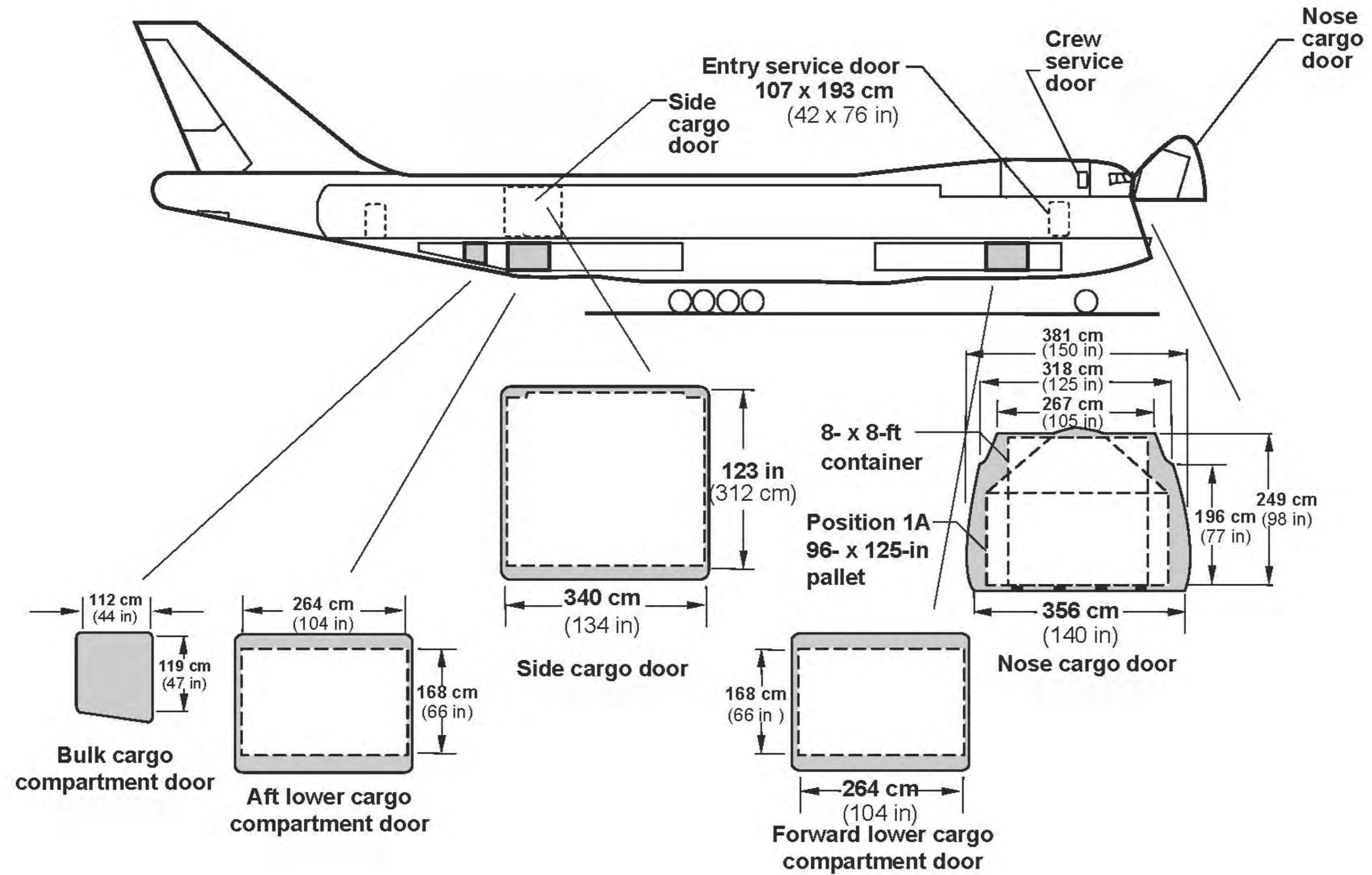




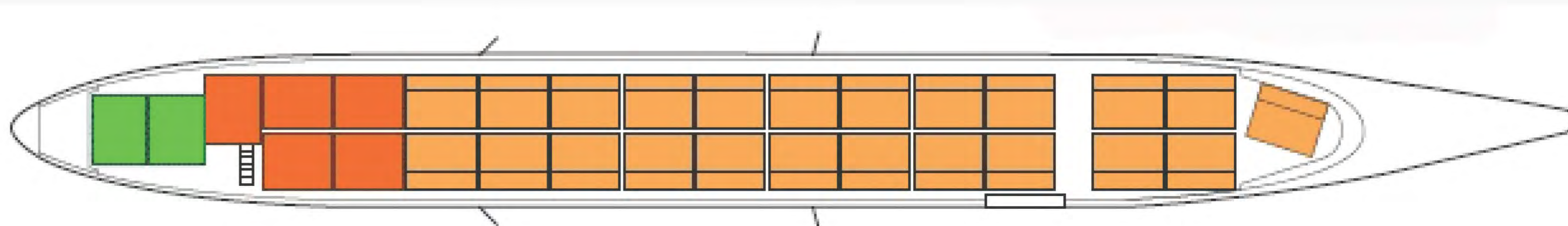
Payload-Range



Loading Specification



Main Deck



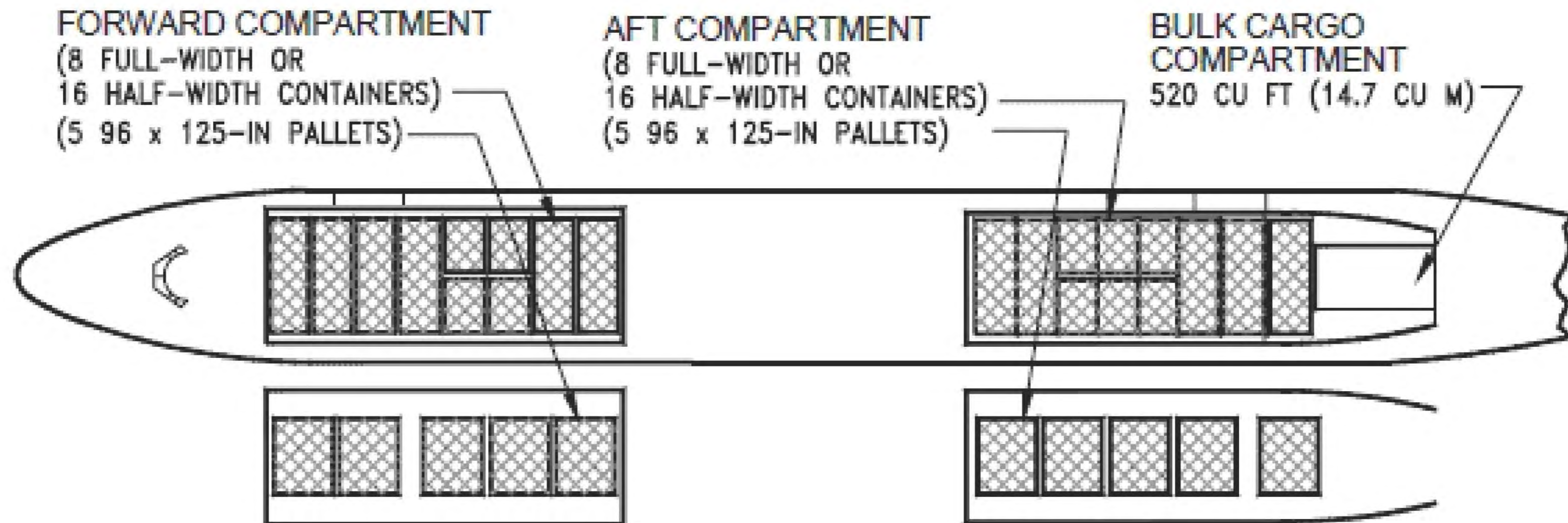
96- x 125-in x 8-ft contoured pallets (540 + 607 ft³)

96- x 125-in x 8-ft pallets (at 613 ft³)

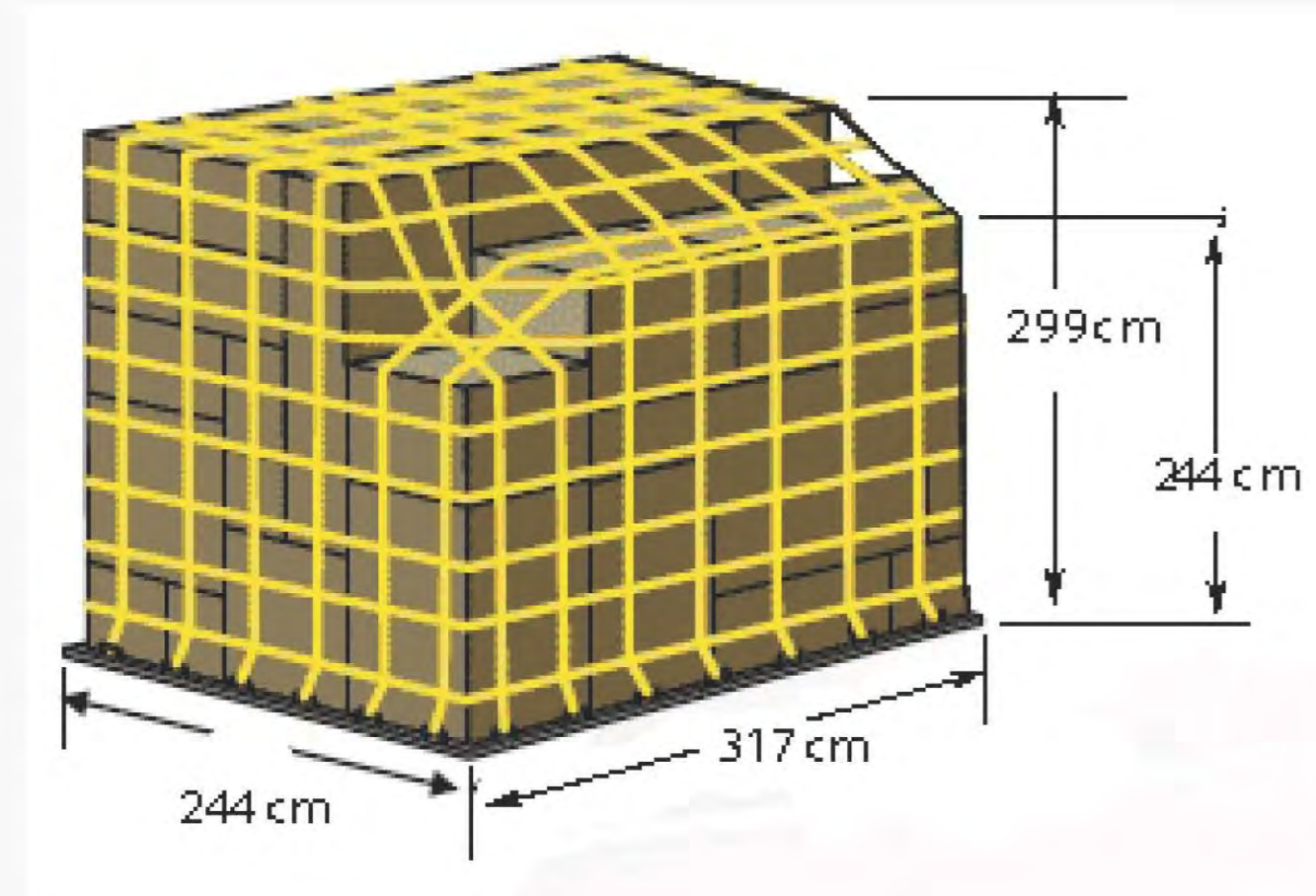
96- x 125-in x 10-ft contoured pallets (at 745 ft³)

Lower Deck

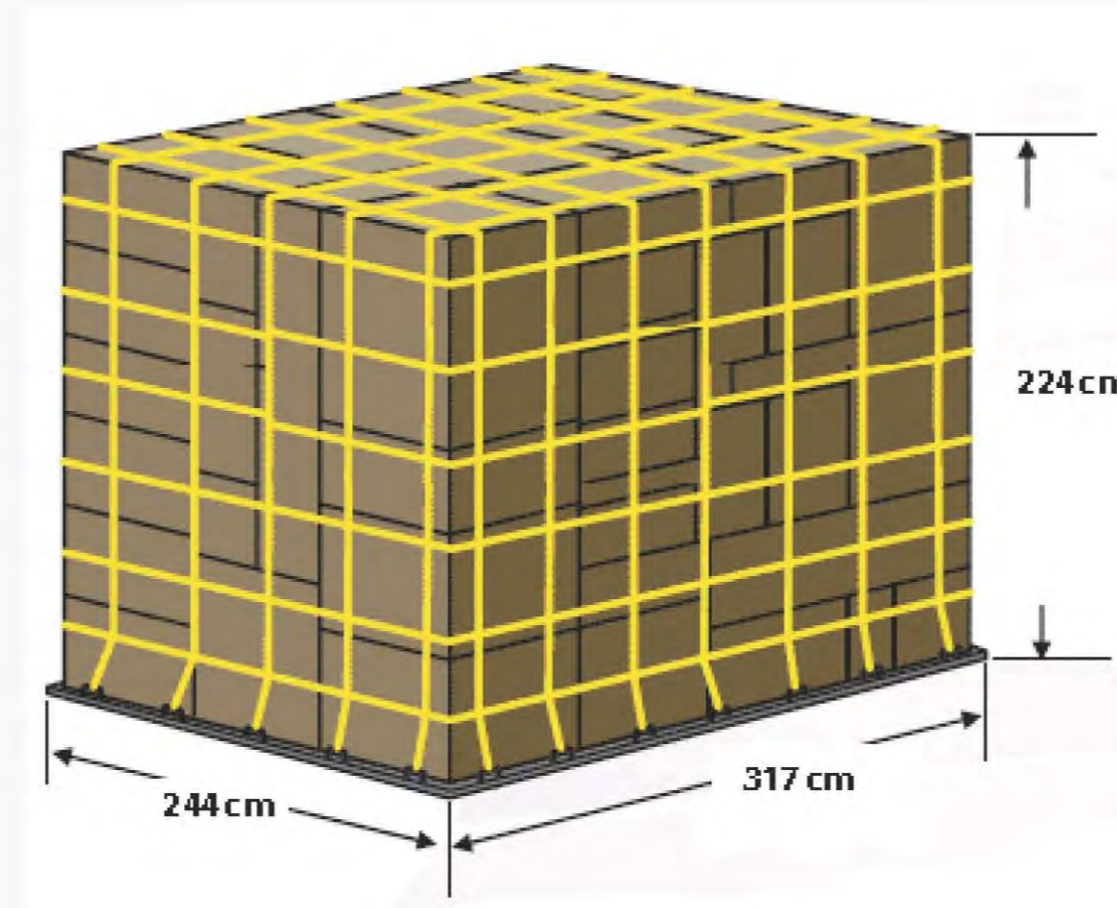
Lower Deck Cargo Compartment



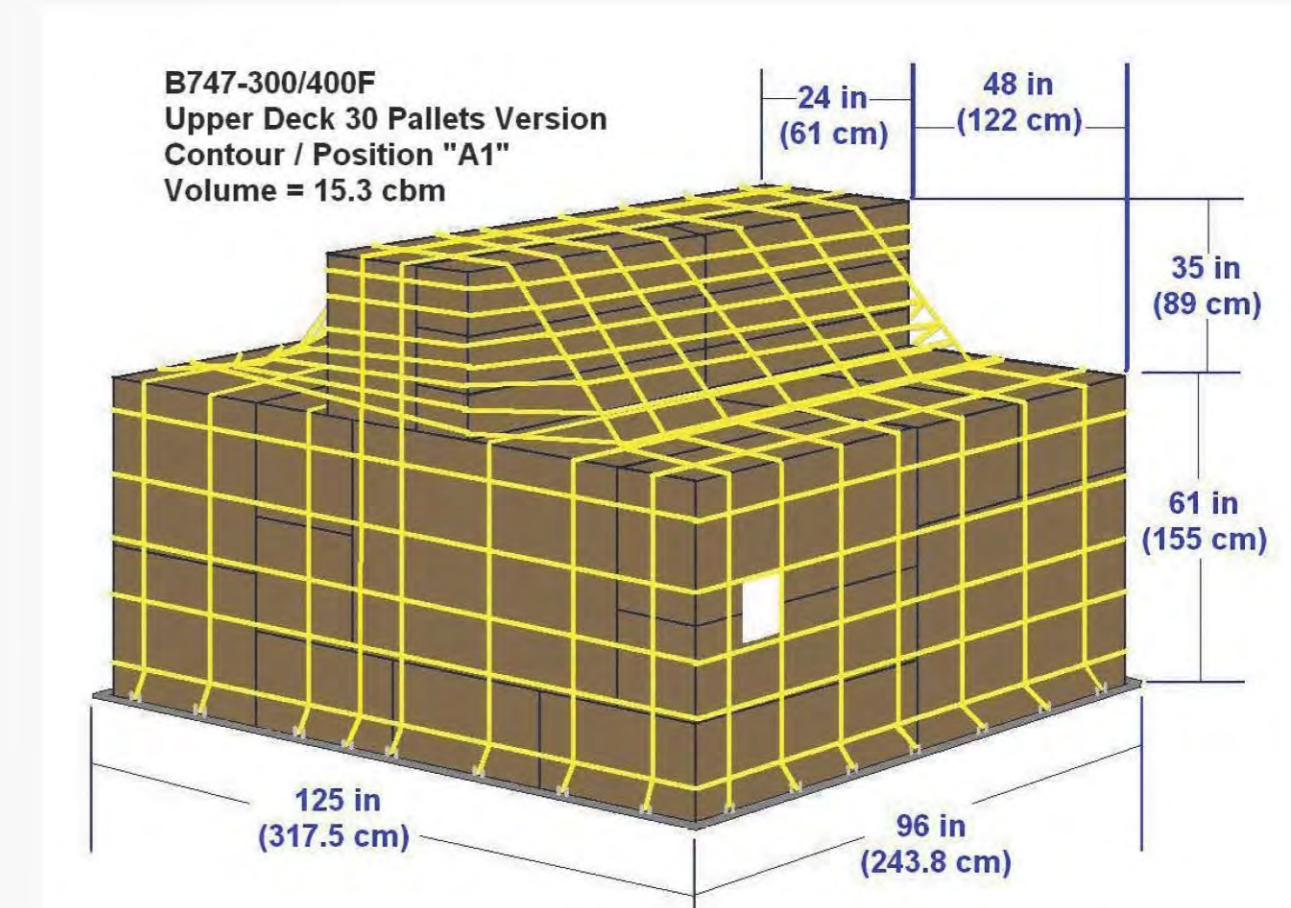
ULD Reference



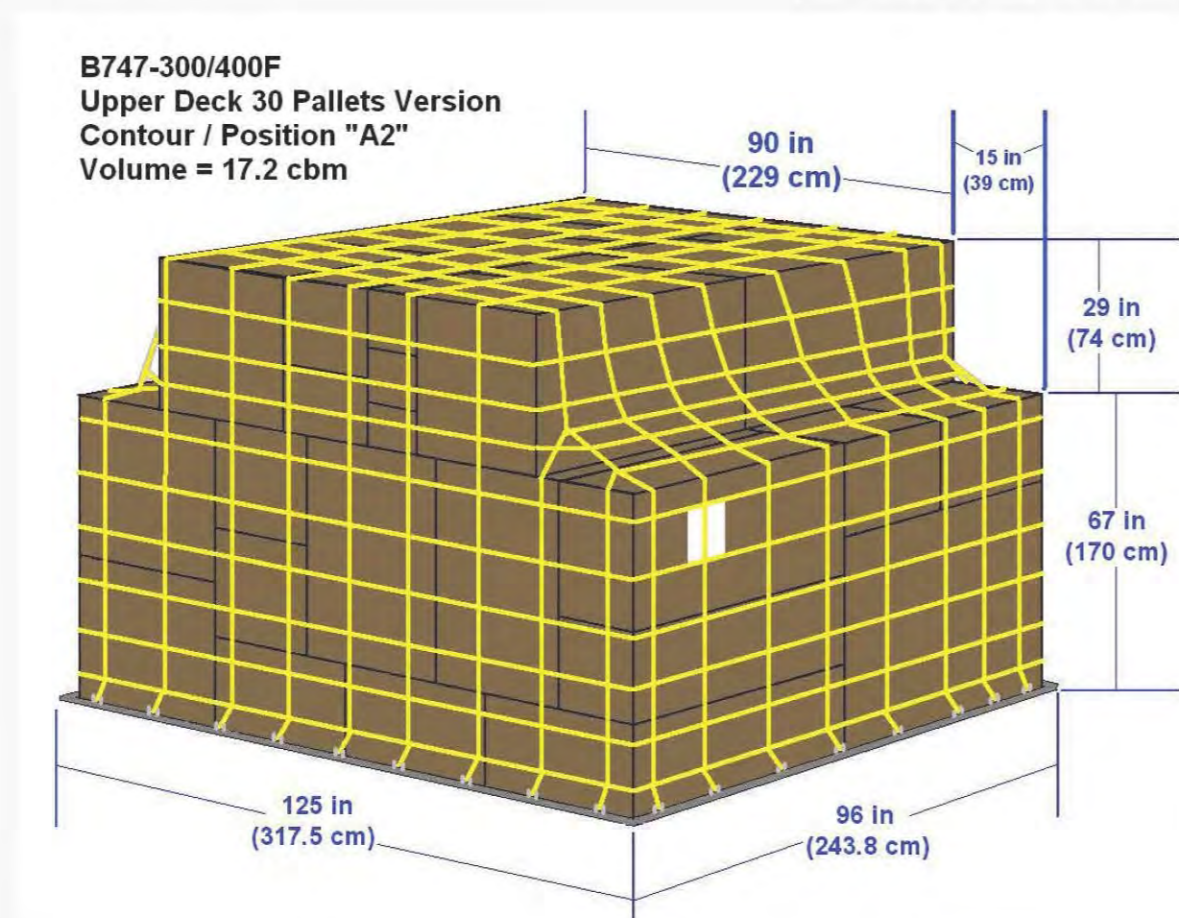
Refer to above Main Deck
(Pink color)



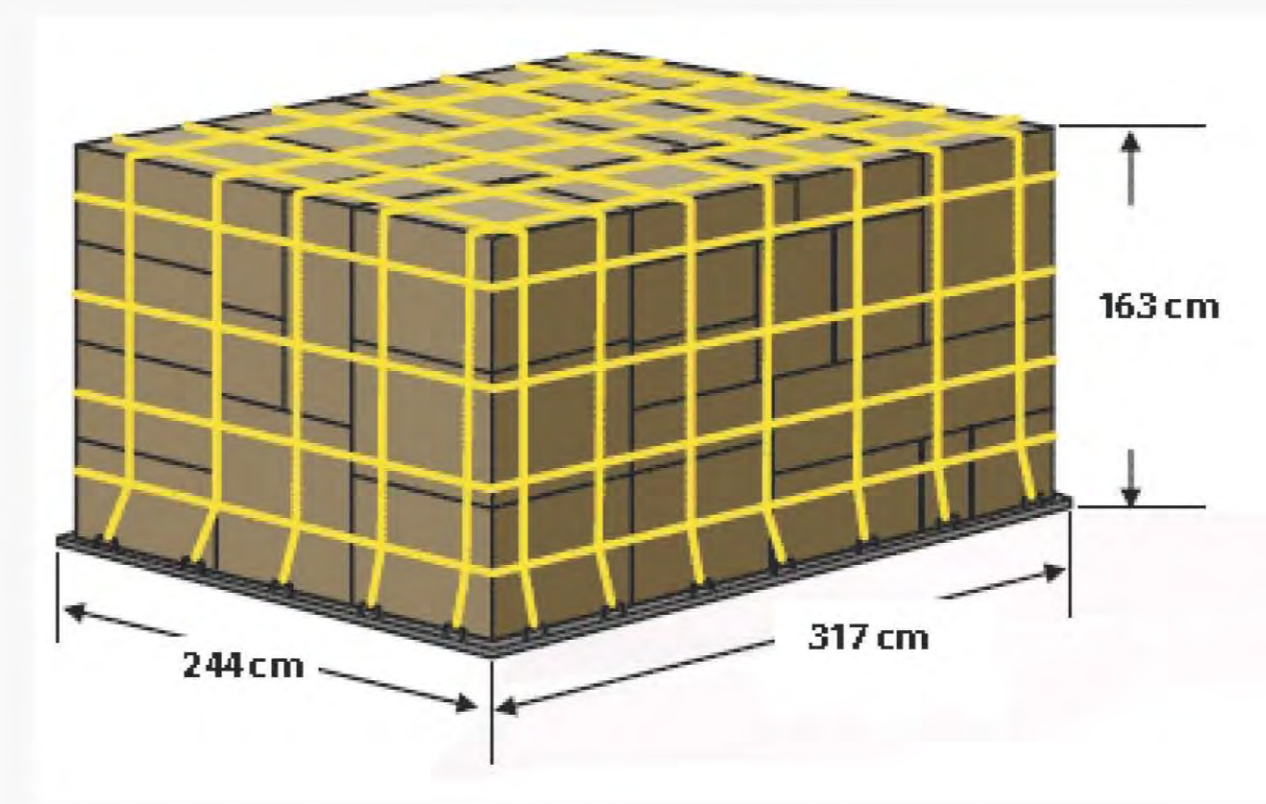
Refer to above Main Deck
(Orange color)



Refer to above Main Deck
(Green color)



Refer to above Lower Deck
(Gray color)



Refer to above Lower Deck
(Gray color)

Payload (Tons)	113,000
Volume (cbm)	615
Main Door Dimension (LxH, cm)	341x305
Forward Door Dimension (LxH, cm)	341x310
After Door Dimension (LxH, cm)	112x120
Max Range (km)	8,334
Cruise speed (km/h)	967
MTOW (kg)	396,900
MZFW (kg)	277,000
Crew & Cargo Attendants	2
Max fuel capacity (kg)	203,520
Average fuel burn (tons/h)	14
Minimum runway (m)	3,600