

SH6120LGK1Z 12M luxury travel coach

(Dedicate design for Africa road transport system)



Monocoque frame/chassis structure , 375hp Power ,32000cal Air condition LED light , luxury seat

Model No.: 6120YLGK1Z luxury travel coach (Dedicate rear diesel Engine with Max loading Capacity of 65 person)

Specification sheet 6120YLGK1Z

Overall Specification	Over length(mm) 总长	1200	Engine Specification	Engine Model 发动机型号	YC6MK375-40 (Dedicate for Africa Diesel quality)
	Over width(mm) 总宽	2550		Engine Type 发动机种类	in line, 6 cylinder, inter-cooling, directly injection 直列、六缸, 中冷, 直喷
	Over height(mm) 总高	3795		Displacement(L) 排量	10.339
	Wheelbase(mm) 轴距	6000		Max. output kw/rpm) 最大功率	276/1900
	Tread(mm) 轮距	2053/1830			
	Overhang F/R(mm) 前后悬	2600/3400			

	Approach/Departure Angle (°) 接近角/离去角	10/8	Fuel Type 燃油总类	柴油 Diesel
Performance Specification	Chassis Manufacturer 底盘厂家	SYP	Max. speed(km/h) 最高车速	≥120
			Max. grade ability(%) 最大爬坡度	≥28
			Min. turning diameter(m) 最小转向直径	≤20
	Engine Position 发动机位置	后置 Rear	Fuel Tank Capacity(L) 油箱容积	320
	Brake distance (v=30km/h) 制动距离	≤10	Luggage Compartment(m3) 行李仓容积	8. 3-11. 7
			Max. total mass(kg) 最大总质量	17500
Curb Weight(kg) 整车整备	13500			
Item 项目		Standard Equipment 标配		
Chassis	Clutch 离合器	变速箱自带		

Transmission 变速器	法斯特 FC6A180 变速箱 Automatic Transmission, FC6A180
Rear Axle 后桥	13 吨冲压焊接后桥, 盘式制动器,带免维护装置 13T stamp welding axle, Disc brake with Maintenance free system
Front Axle 前桥	6.5T 前桥, 盘式制动器,带免维护装置 6.5T front axle, Disc brake with Maintenance free system
Frame 车架	三段桁架结构, 前后槽型断面大梁结构 3sections structure, F/R trough section beam with Electrophoretic paint anticorrosion
Suspension 悬挂	空气悬架, 前 2/后 4 Air suspension, F:2/R:4
Steering System 转向系统	液压动力转向器,方向盘上下前后可调 Hydraulic power steering, adjustable steering wheel(front, back, up and down)
Brake System 制动系统	前后独立双管路鼓式气制动, 断气刹弹簧储能驻车制动, 国产 ABS, 自动间隙调整臂 F/R separate two passage drum pneumatic brake, energy stored spring parking brake, domestic ABS, auto-clearance adjustable arm
Tire 轮胎	12R22.5 无内子午线轮胎 12R22.5 tubless radial ply tire
Wiring 电路系统	24V, single wire, cathode ground connection 24V, 单线制, 负极搭铁

	Starter 启动机	24V, 5.4Kw electromagnetism control type 24V、5.4Kw 电磁操纵型
	Battery/Generator 电池/发电机	6-QA-180Ah 两只串联/28V 140A 发电机 6-Q-180Ah 2PCS / 28V/140A
	Others 其他	ATS 热循环管理系统, 集中润滑 ATS heating operator, centralized lubrication
Interior Trimming	Body Structure 车身结构	全承载式, 预应力涨拉蒙皮, 钢铝+复合材料车身 Integral Body, Pre-stress Stretched Panel Skin, Metal, Alu and Composite material
	Interior Trimming 内饰	软化内饰, 整体式空调风道, 带读书灯式冷出风口, 豪华内行李架, 挂 式窗帘, 两只换气扇安全顶风窗 Intenerate interior fitting, integral air passage, cooling air out with reading light, luxury inner luggage carrier, hanging curtain, 2pcs safety roof windows with ventilator
	Door and Door Pump 门和门泵	前/中气动单扇外摆门, 左后方安全逃生门, 上翻式铝合金行李舱门, 豪华仓门锁 Single front & mid outward swing door , Emergency door at end of right side, turn-over luggage compartment door with luxury lock
	Windows 窗户	全封闭侧窗(驾窗和左右最后侧为推拉窗), 挂式窗帘, 全景夹胶前 风档, Full-closed side windows, sliding windows for driver and last side bottom window, hanging curtain, front laminated windscreen

地板 Floor	地毯花纹地板革 colored-spots floor leather r
Seat 座位	64+1 豪华高靠背座椅(带可调靠背/扶手), 可调司机椅。 64+1 luxury hight backrest passenger seat with adjustable back and armrest, Adjustable driver seat
A/C System 空调系统	非独立顶置空调(制冷量 32000kcal/h) Non-independet A/C (32000kcal/h)
Built-in toilet 内置卫生间	Built in Middle of Coach 建于车身中部
除霜系统 Defrosting system	自然风除霜 Natural wind defrosting
Audio&Visual System 视听系统	MP3 播放器 电脑播放器(带 OK 功放)、2 个折叠液晶电视 PC player with Audio amplifier, two folded LCD
Rearview System 后视镜系统	手动豪华后视镜 Manual luxury review mirror
Lamp 灯具	独立体式前大灯, 整体式 LED 后灯, 高位刹车灯, 前顶示高灯 Independent separete , headlamp, combination LED taillight, height brake light, front roof height indicate and speed limited light
Wiper 雨刮	标准雨刷器 Standard wiper

	Service Facilities 服务设施	电子钟, 车内灭火器, 发动机仓自动灭火器, 全副遮阳帘, 豪华护栏挡板, 行车记录仪, 一拖三车内监控带倒车, 7寸监视屏, electron clock, fire extinguisher, automatic extinguisher for engine room, the whole rolling curtain, guardrail, driving recorder, CCTV with three cameras, 7 LCD
	Others 其他	国产素色漆 Domestic paint
Remarks	The above is standard configuration, we will make configuration according to your special requirement.	

**Reference spray-painting design of 6120YLGK1Z with LED light
(Yellow @45) (黄@45度) (base on 2019version)**



Reference spray-painting design of 6120YLGK1Z
(Yellow @45) (白@45度) (base on 2018version)

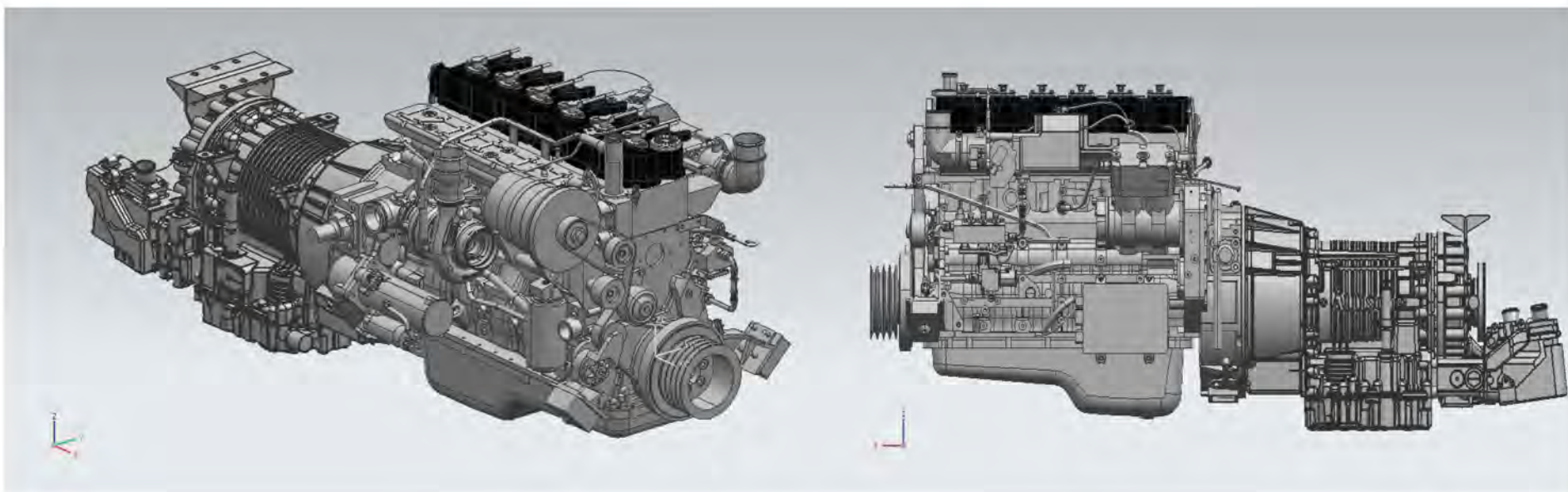


Reference spray-painting design of 6120YLGK1Z
(White @45) (白@45度) (base on 2018version)

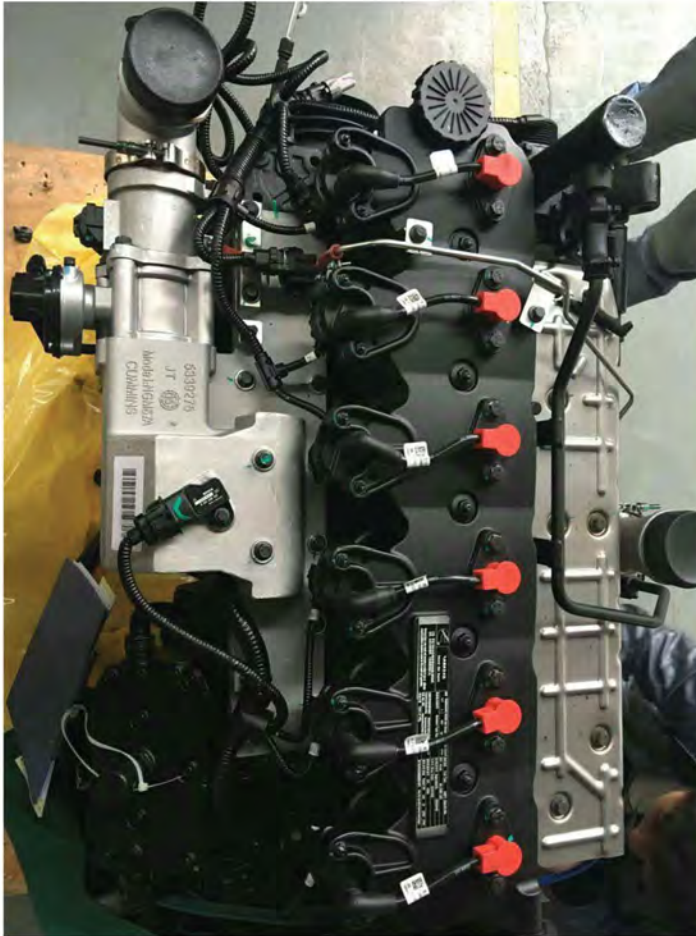


375 马力柴油气发动机，满足欧 5 标准， 4 气门高效发动机， 发动机启停技术提供更好的驾驶感受 。 ECE 认证

375Hp Euro 5 Diesel engine , 4 intake valve high efficiency motor with smart-star-stop tech . with ECE approve

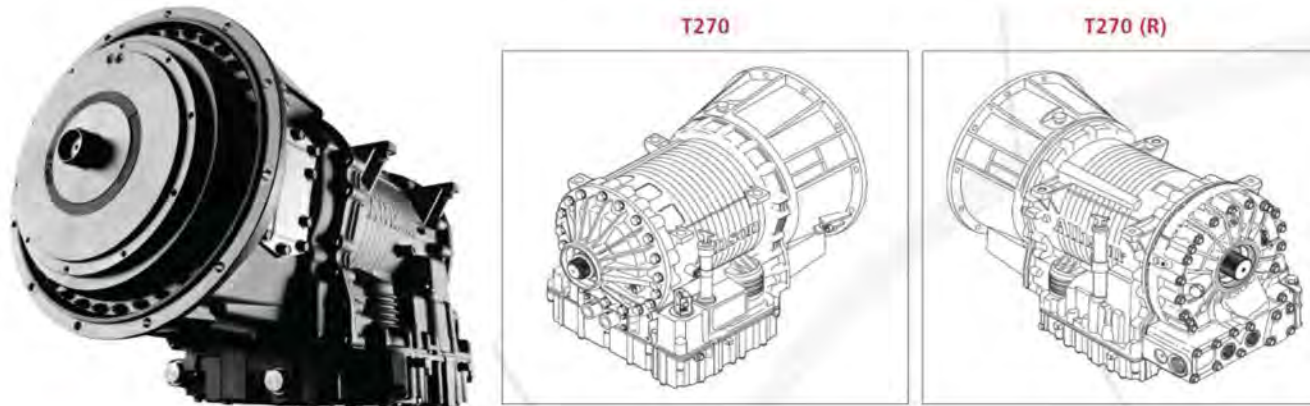


Power CNG engine and Automatic gear box



Euro 5/ CNG Engine(Dedicate for Africa diesel quality)

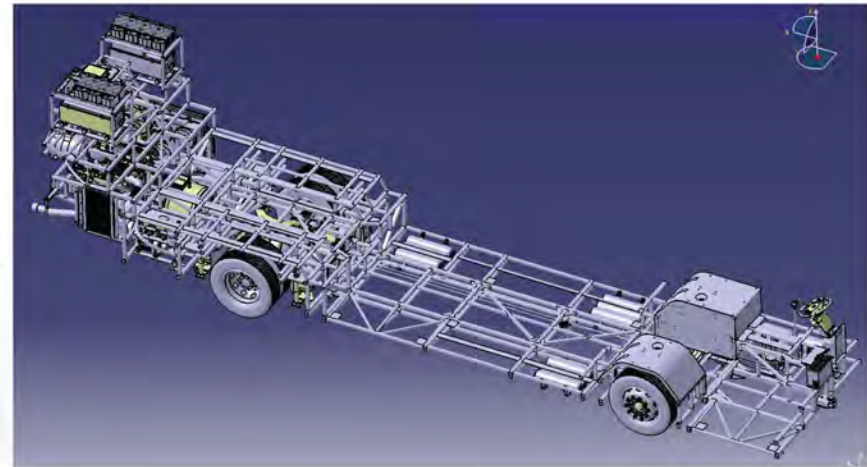
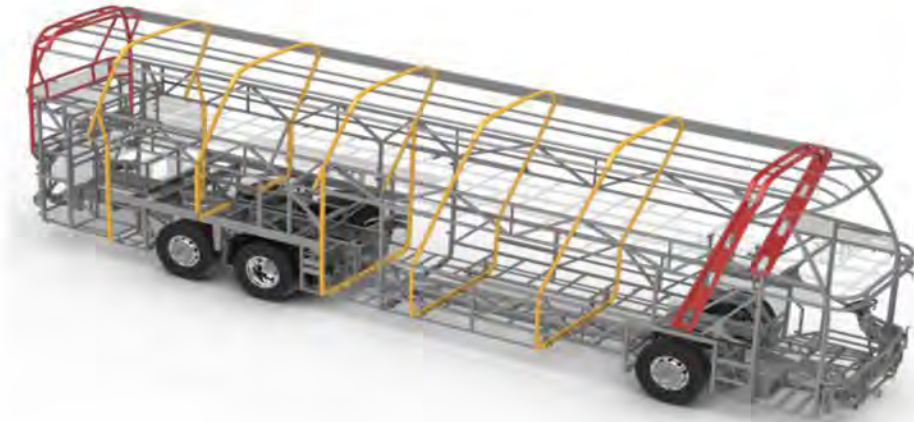
Full-automatic dedicate Gear box (or improve big torque manual gear box)with more powerful output suit for various road condition

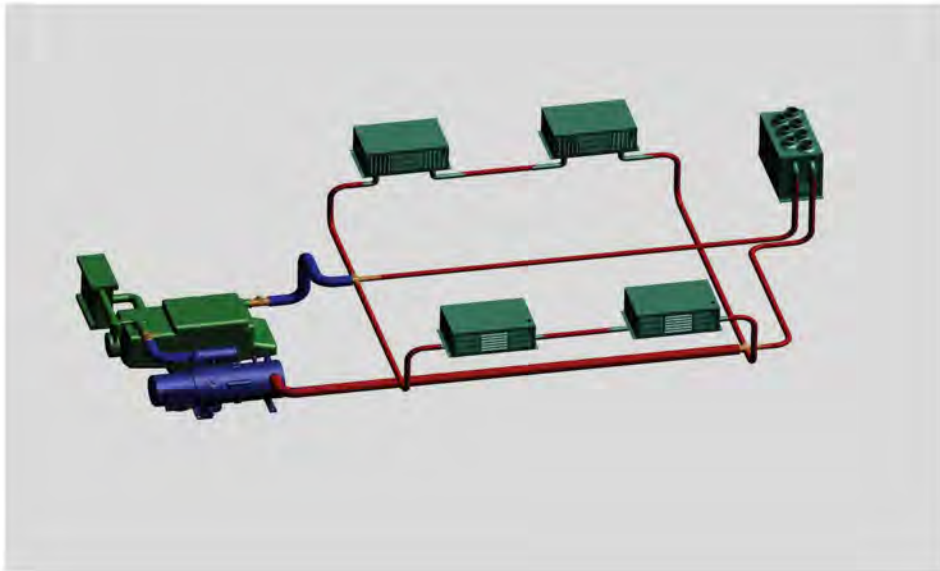


RATINGS					
	Input Torque Gross N•m (lb-ft)	Input Power Gross ¹ Kw (hp)	Turbine Torque Net ² N•m (lb-ft)	GVW kg (lbs)	Vocations
City Bus	900 (664)	179 (240)	1857 (1370)	24,000 (52,911)	City Bus
Tour Coach	900 (664)	179 (240)	2030 (1497)	24,000 (52,911)	Tour Coach

1. Gross Power rating as defined by ISO 1585 or SAE J1995. 2. Turbine Torque limit based on ISCAAN standard deductions.

Monocoque frame/ intensive chassis ,all frame with Electrophoretic antirust treatment , delicate for Africa road





Centralized lubrication system and maintenance-free front & rear bridge design for long life use

The multifunctional cab provides a comfortable working environment for drivers.



(Optional CAB for Economic coach)



(Optional CAB for Luxury coach)

**Rich interior for customers to choose
(synthetic leather seats, closed luggage bin, fiber chairs, open luggage warehouse designated by the customer)**



本画册所有图片及基本技术参数仅供参考，最终解释权归本公司所有，整车设计由与客户最终签署合同确认。

The picture and the basic technical reference only, the final interpretation of the right to the company . the whole coach/Bus design should be confirm by seller and buyer sign contract