

# PLATE PC-02(IR)

These HAPs are manufactured using high performance UHMWPE backing. These plates are light in weight and offer better comfort during prolonged usage.



## SMART TECHNOLOGY



KIRO SHIELD TECHNOLOGY

## FEATURES



HIGH PERFORMANCE FABRICS



ABRASION RESISTANCE



WATER RESISTANT



ALL WEATHER PROOF



UV RESISTANT



NON TOXIC

## SMART FUNCTIONALITY



ADDITIONAL BULLET PROTECTION



ANTI FUNGAL FABRIC

## STANDARD

NIJ 0101.04

## NATURE

Stand-Alone

## PROTECTION

Level III

## WEIGHT

1.85 kg Maximum

## ADDITIONAL AMMUNITION

7.62 X 39 mm, AK-47 MSC/M43

## HARD BALLISTIC INSERTS DIMENSIONS

25 x 30 (±0.5) cm

# KAVRO TAC-I-IIA+ (IR)

## OVER VEST

Kavro TAC-I-IIA+(IR) is a tactical over vest that enables easy donning and doffing and features a MOLLE-compatible system for attaching mission-specific pouches and compatible accessories. With an ergonomic design and an anatomical fit. Adjustable from the shoulder and sides for better fitment. It has a provision for hard armor insertion at the front and back.



### SMART TECHNOLOGY



KIRO SOFT TECHNOLOGY



KIRO SHIELD TECHNOLOGY

### SMART FUNCTIONALITY



ADDITIONAL BULLET PROTECTION

### FEATURES



LIGHTWEIGHT



FLEXIBLE



ALL WEATHER PROOF SEALING



MULTICURVE



MOLLE



ABRASION RESISTANCE



UV RESISTANT



NON TOXIC



HIGH PERFORMANCE FABRICS



WATER RESISTANT

### STANDARD

NIJ 0101.04

### PROTECTION (BALLISTIC INSERTS)

Level III+ (Front & Back)

### PROTECTION (SOFT BALLISTIC PANEL)

Level IIIA (Front, Back & Sides)

### ADDITIONAL PROTECTION (BALLISTIC INSERTS)

7.62 X 51 mm NATO FMJ, M80 @ 838+<sub>-9</sub> m/s.  
7.62 X 39 MSC(M43) @ 715+<sub>-9</sub> m/s.  
5.56 X 45 mm SS109(M855) @ 950+<sub>-9</sub> m/s.

### CONFIGURATION

Vest Dependent

### SIZE

Large

### WEIGHT (MAXIMUM)

- **6.20 kg** (Weight includes Basic Vest (MOLLE), soft ballistic panels and hard ballistic inserts)
- **2.50 kg** (Soft Ballistic Panel with Outer Cover)
- **1.85 kg/Insert** (Ballistic Inserts)

### COVERAGE AREA AND DIMENSIONS

- **0.3470 m<sup>2</sup> Minimum** (Soft Ballistic Panel)
- **23 x 28 (±0.5) cm** (Ballistic Inserts)

# BALLISTIC HELMET

## KAVRO HCH 113 B

Helmets from MKU provide excellent ballistic and fragment protection and are compatible with a wide range of devices like Video cameras, flashlights & Communication equipment, etc. These helmets are available with a special suspension system that allows a soldier to carry out their missions more effectively without fatigue while wearing for a prolonged period.



### Design Features:

- Maximum sensory & situational awareness
- Superior Ballistic protection
- Excellent
  - Stability Retention System
  - Mechanical rigidity, toughness
  - Heat insulation
- Resistant to
  - Temperature extremes
  - Water & moisture (Non-absorbent)
  - Flame & UV
  - Shock
- Equipped with a ventilation lining with shock absorption pads with a ventilation lining shock absorption pads with closed-cell technology and comfort foam MPSS Technology.
- Can be equipped with a system for mounting optical devices.

### Protection Level:

- Level IIIA 9mm as per NIJ 0106.01
- V50 > 650 m/s 17 Grains FSP as per STANAG 2920 / MIL 662F

### Colors:

- Olive Green/Blue/Black  
(As per availability)

### Sizes:

- Medium

### Weight:

- 1.150 Kg Max for Medium Size

### Accessories:

- Can Be Added






## Thermal Weapon Sight **NETRO TW-4104**

### **Specification**

- Detector** : Uncooled Micro-bolometer
- Spectral Range** : 8 – 14  $\mu\text{m}$
- Detector Resolution (Min)** : 640 x 480 (Pixels)
- Pitch** : 17 $\mu\text{m}$  or less
- Digital Zoom** : upto 4x
- Weight** : 2.5Kg (Max)
- Power Source** : Commercially Available Batteries
- Battery Life** : 4Hrs (Min)
- Field of View** : 8° (H) X 6° (V) (Max)
- Diopter Range** : -6 to +2
- Focus** : Manual
- Display Type** : OLED/AMOLED
- Display Resolution** : 640 x 480 (Min)
- Polarity** : White Hot / black Hot
- Operating Temp.** : -32° C to +49° C
- Storage Temp.** : -33° C to +71° C
- Environmental Standard** : MIL-STD 810G Compliant



Night Vision Monocular  
**NETRO NM-3301**

### Specification

Magnification : 1X

Weight (Including Battery): 450grams  $\pm$  10%

Field of View of Monocular : 40° (Min)

Diopter Range : -6 to +2

Focus Range : 25cm to Infinity

Power Source : 1 x AA

Battery Life of Monocular @Normal ON mode : 40hours (Min)

Low Battery Indicator : Inside Field of View (FOV)

IR Illuminator "On Indicator" : Inside Field of View (FOV)

Image Intensifier Tube

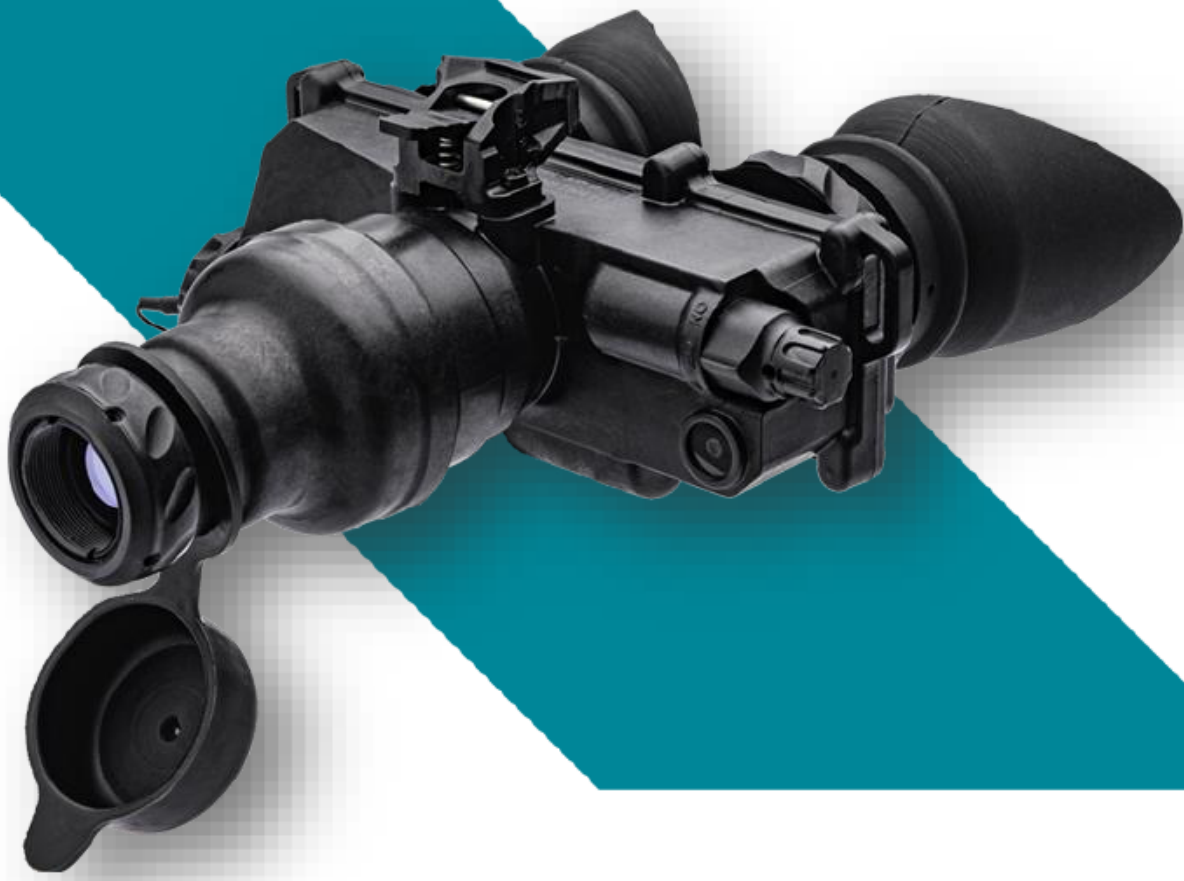
Resolution : 64 (Min)

Water Resistance : Yes, IP68

Operating Temp. : -32° C to +49° C

Storage Temperature : -33° C to +71° C

Environmental Std. : MIL-STD 810G Compliant



## Night Vision Bi-Ocular **NETRO NC-3000**

NETRO NC-3000 from MKU is a combat-proven hand held single tube Passive Night Vision Bi-ocular.

### **Modern Design with Military Ruggedness**

Rugged & waterproof, NETRO NC-3000 is a MIL-STD-810G compliant device capable of effectively operating under harshest environment.

The NETRO NC-3000 comes with high quality Image Intensifier for optimal performance.

### **Superior Electronics with Low Power Consumption**

The device has a built-in IR Illuminator for map reading operations and an automatic bright light cut off sensor for protection from sudden burst of bright light.

### **Features**

- Conforms to MIL Standards
- Multi Purpose bi-ocular can be used as Helmet Mounted, Head Mounted or Hand Held.
- Light Weight, Waterproof and Rugged.
- Automatic Brightness Control.
- Automatic Bright Light Cut-off.
- Device is easy to Maintain.
- All weather capability, dust proof and corrosion free.

### **Standard Kit**

Objective Lens Cover | Eyecup | Operator's Manual | One Set Battery | Cleaning Kit | Neck Cord |  
Soft Carrying Case | Transportation Case





## Night Vision Bi-Ocular **NETRO NC-3000**

### **Specification**

**Magnification** : 1X

**Weight (Including Batteries)** : 550grams (Max) with 1x

**Dimension (excluding Accessories)** : 170 x 165 x 80mm

**Field of View** : 40° (Min)

**Power Source** : 2 x AA

**Battery Life** : 60Hours (Min) with normal ON Condition

**Diopter Range** : -6 to +2

**Low Battery Indicator** : Inside Field of View (FOV)

**IR Illuminator "On Indicator"** : Inside Field of View (FOV)

**In-built IR Illuminator\*** : Yes, For short range

**Image Intensifier Tube**

**Resolution** : 64lp/mm (Min)

**Water Resistance** : Yes, IP68

**Operating Temp.** : -46° C to +49° C

**Environmental Std.** : MIL-STD 810G Compliant