

NOTE:
GLASS COMPLIES WITH ASTM E1300-09
(3 SEC. GUSTS).

GENERAL NOTES

- THIS PRODUCT HAS BEEN DESIGNED AND TESTED TO COMPLY WITH THE REQUIREMENTS OF THE 7TH EDITION FLORIDA BUILDING CODE (2020) INCLUDING HIGH VELOCITY HURRICANE ZONE (HVHZ).
- DOORS RATED FOR LARGE MISSILE IMPACT. LMI SYSTEM TO BE USED FOR INSTALLATIONS UP TO 30 FT OF GRADE. FOR ABOVE 30 FT OF GRADE, SMI TO BE USED. IMPACT SHUTTERS ARE NOT REQUIRED.
- THESE DOORS ARE APPROVED FOR AIR AND WATER INFILTRATION.
- ANCHORS SHALL BE AS LISTED, SPACED AS SHOWN ON DETAILS. ANCHORS EMBEDMENT TO BASE MATERIAL SHALL BE BEYOND WALL DRESSING OR STUCCO.
- ANCHORING OR LOADING CONDITIONS NOT SHOWN IN THESE DETAILS ARE NOT PART OF THIS APPROVAL.
- MATERIALS INCLUDING BUT NOT LIMITED TO STEEL/METAL SCREWS THAT COME INTO CONTACT WITH OTHER DISSIMILAR MATERIALS SHALL MEET THE REQUIREMENTS OF THE 7TH EDITION FLORIDA BUILDING CODE (2020) SECTION AS APPLICABLE.
- METAL STRUCTURES BY OTHERS TO BE DESIGNED TO SUPPORT THE LOADS IMPOSED BY THIS GLAZING SYSTEM AND TO TRANSFER SUCH LOADS TO THE BUILDING MAIN STRUCTURE.
- ULTIMATE LOAD OBTAINED FROM ASCE 7-16, MULTIPLY BY 0.6 SHALL BE LESS THAN OR EQUAL TO MAX. DESIGN LOAD IN THIS DOCUMENT. THE DESIGN LOADS SHOWN IN THIS DOCUMENT ARE ALLOWABLE DESIGN LOADS.
- **SEALANTS:**
ALL FRAME CORNERS, JOINTS, MULLION SEAMS AND PERIMETER GLAZING BEAD TO FRAME INSTALLATION FASTENERS SEALED WITH SILICON SEALANT.

USE CHARTS AS FOLLOWS.

- STEP 1:** DETERMINE DESIGN WIND LOAD REQUIREMENTS BASED ON WIND VELOCITY, BLDG. HEIGHT, WIND ZONE USING APPLICABLE ASCE 7-16 STANDARD OR WIND TUNNEL REPORTS.
- STEP 2:** SEE SHEET E1 & E2 FOR TYPICAL STOREFRONT ELEVATION.
- STEP 3:** SEE SHEET A1 & A2 FOR ANCHOR OPTIONS. SEE SHEET E1 & E2 FOR ANCHOR LAYOUT.
- STEP 4:** THE LOWEST VALUE RESULTING FROM STEPS 2 & 3 THAT EXCEED THE DESIGN WIND PRESSURES DETERMINED THROUGH STEP 1 SHALL APPLY TO ENTIRE SYSTEM.

LIBERATIONS OF USE

A- THIS PRODUCT EVALUATION DOCUMENT (P.E.D.) PREPARED BY THIS ENGINEER IS GENERIC AND DOES NOT PROVIDE INFORMATION FOR A SPECIFIC PROJECT, IN WHICH THE SITE CONDITIONS DEVIATE FROM THIS P.E.D.

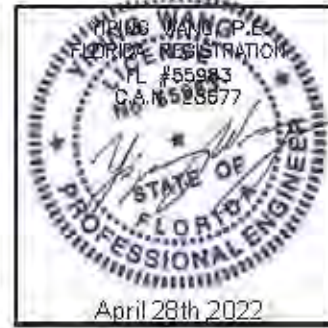
B- CONTRACTOR TO BE RESPONSIBLE FOR THE SELECTION, PURCHASE AND INSTALLATION OF THIS PRODUCT BASED ON THIS PRODUCT EVALUATION PROVIDED THESE DOES NOT DEVIATE FROM THE CONDITIONS DETAILED ON THIS DOCUMENT.

C- THIS PRODUCT EVALUATION DOCUMENT WILL BE CONSIDERED INVALID & ALTERED BY AMENDMENTS.

D- SITE SPECIFIC PROJECTS SHALL BE PREPARED BY A FLORIDA REGISTERED ENGINEER OR ARCHITECT WHICH WILL BECOME THE ENGINEER OF RECORD (E.O.R.) FOR THE PROJECT AND WHO WILL BE RESPONSIBLE FOR THE PROPER USE OF THE P.E.D. ENGINEER OF RECORD, ACTING AS A DELEGATED ENGINEER TO THE P.E.D. ENGINEER SHALL SUBMIT TO THE LATTER THE SITE SPECIFIC DRAWINGS FOR REVIEW.

E- THE P.E.D. SHALL BEAR THE DATE AND ORIGINAL SEAL AND SIGNATURE OF THE PROFESSIONAL ENGINEER OF RECORD THAT PREPARED IT.

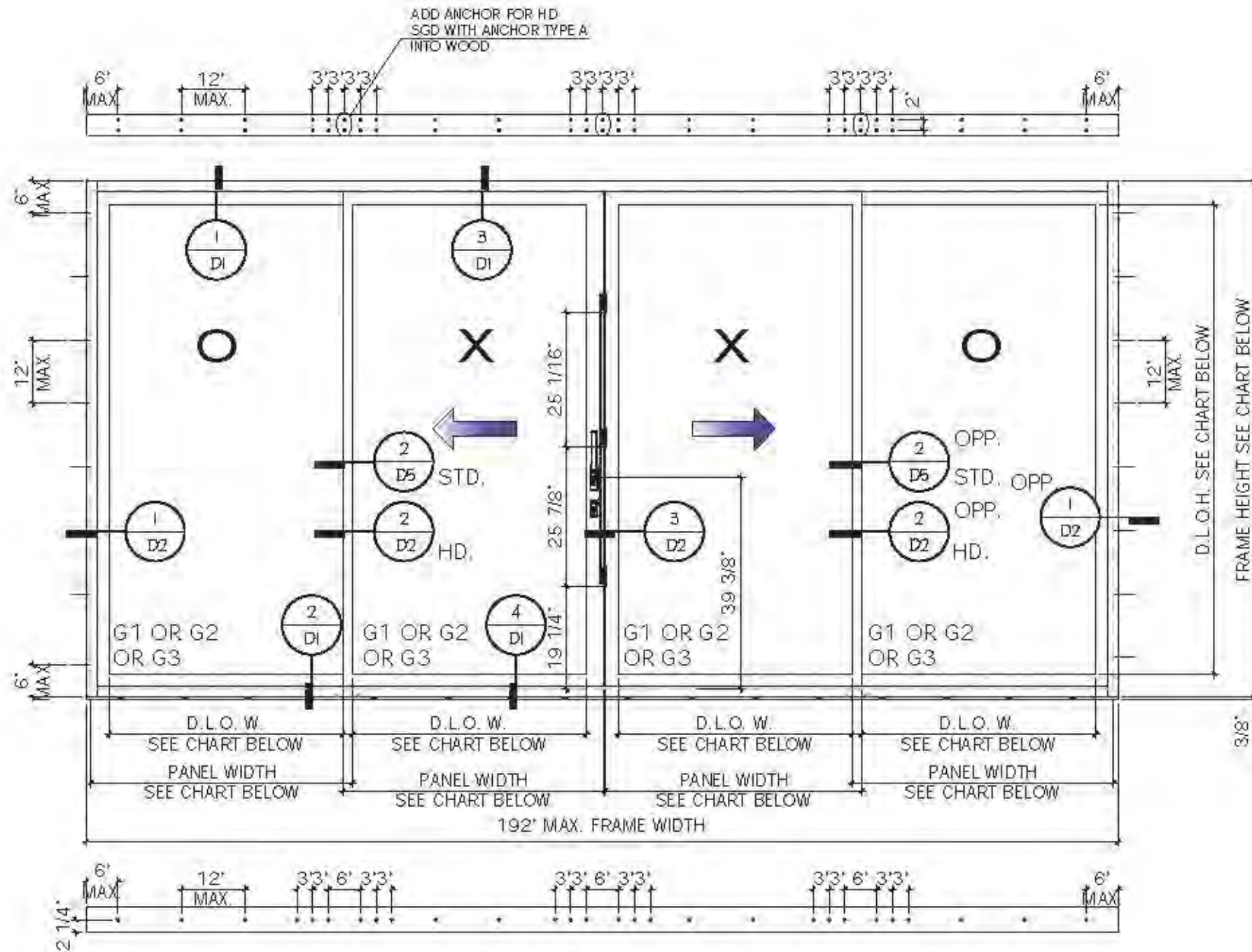
FLORIDA APPROVAL:
FL # 41360



ABBREVIATIONS AND SYMBOLS

D.L.O. - DAYLITE OPENING	SECTION NUMBER
F.H. - FRAME HEIGHT	
F.W. - FRAME WIDTH	SHEET NUMBER
W/ - WITH	
W/O - WITHOUT	
O.C. - ON CENTER	

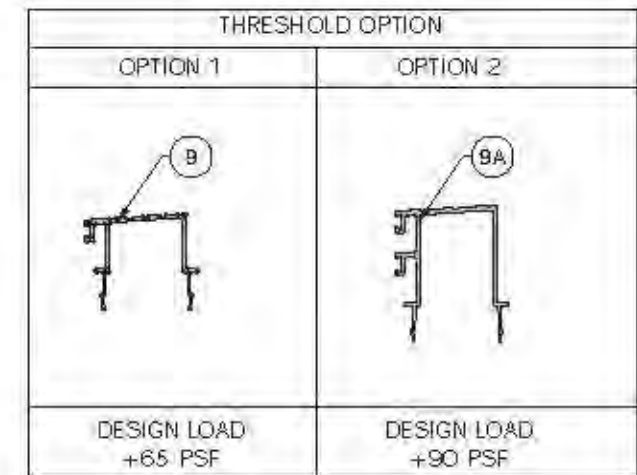
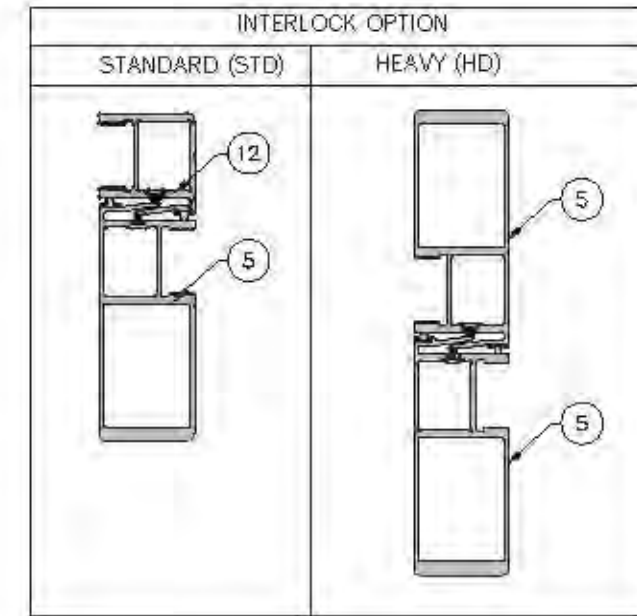
Drawn By	Checked By	Design By	Discipline
03/22/2022			
Drawn Date	Drawn By	DRAWING NO.	
02/22/2022		AD22-05	
COVER			
Sheet No.			
1 OF 14			



SERIES 100 TYPICAL EXTERIOR ELEVATIONS
TWO TRACK OXO

GLASS TYPE	DIMENSIONS		DIMENSIONS		INTERLOCK OPTION	DESIGN LOADS (PSF)		HARDWARE OPTION
	PANEL WIDTH MAX.	FRAME HEIGHT MAX.	D.L.O.W. MAX.	D.L.O.H. MAX.		EXT. (+)	INT. (-)	
	IN.	IN.	IN.	IN.				
G1	48 5/8"	96"	43 1/2"	87 3/8"	HD	90	110	#1 & #2
G1, G2, G3	48 5/8"	96"	43 1/2"	87 3/8"	STD	65	65	#3
G3	48 5/8"	108"	43 1/2"	99 3/8"	HD	65	65	#1

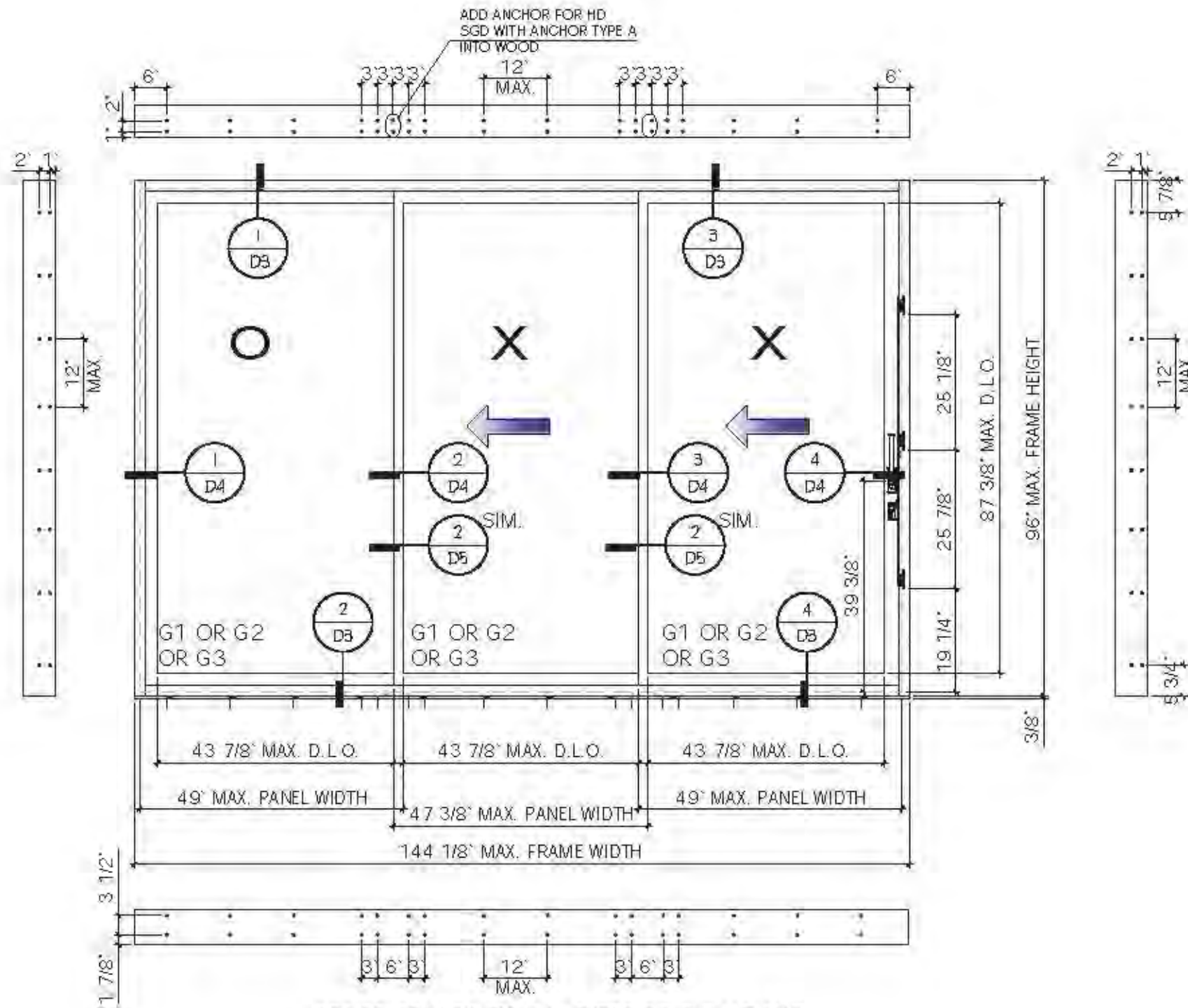
NOTE: FOR SIZE SHOWN ABOVE OR SMALLER AS PERMITTED BY FBC



FLORIDA APPROVAL:
FL # 41360



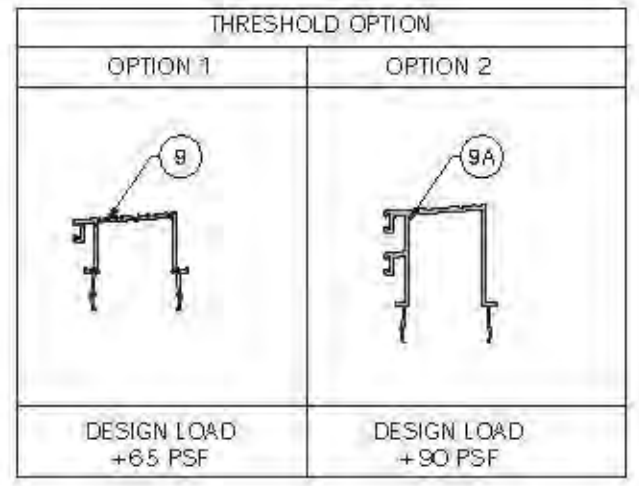
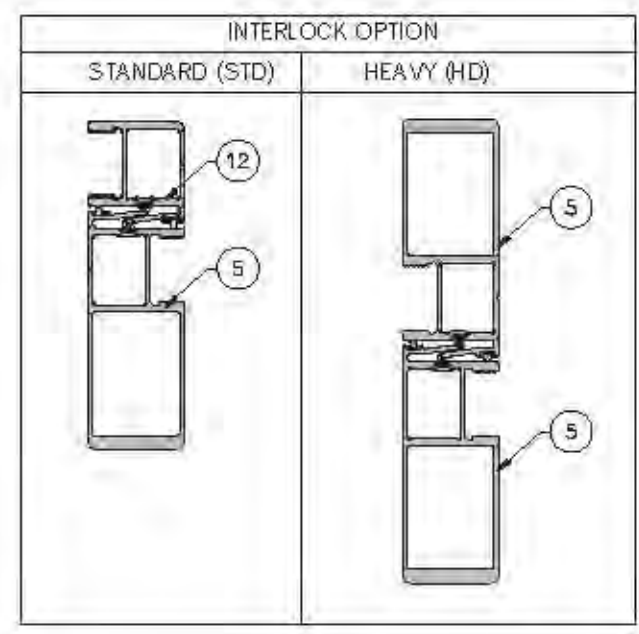
Drawn By	Checked By	Design By	Project No.	Revision
02.24.2022				
AD22-05				
E1				
2 OF 14				



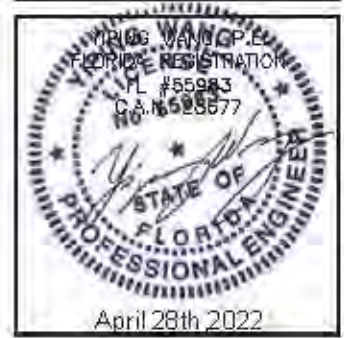
SERIES SPA150 TYPICAL EXTERIOR ELEVATIONS
THREE TRACK OXX

GLASS TYPE	DIMENSIONS		DIMENSIONS		INTERLOCK OPTION	DESIGN LOADS (PSF)		HARDWARE OPTION
	PANEL WIDTH MAX. IN.	FRAME HEIGHT MAX. IN.	D.L.O. W. MAX. IN.	D.L.O. H. MAX. IN.		EXT. (+)	INT. (-)	
G1	49	96	43 7/8	87 3/8	HD	90	110	#1 & #2
G1, G2, G3	49	96	43 7/8	87 3/8	STD	65	65	#3

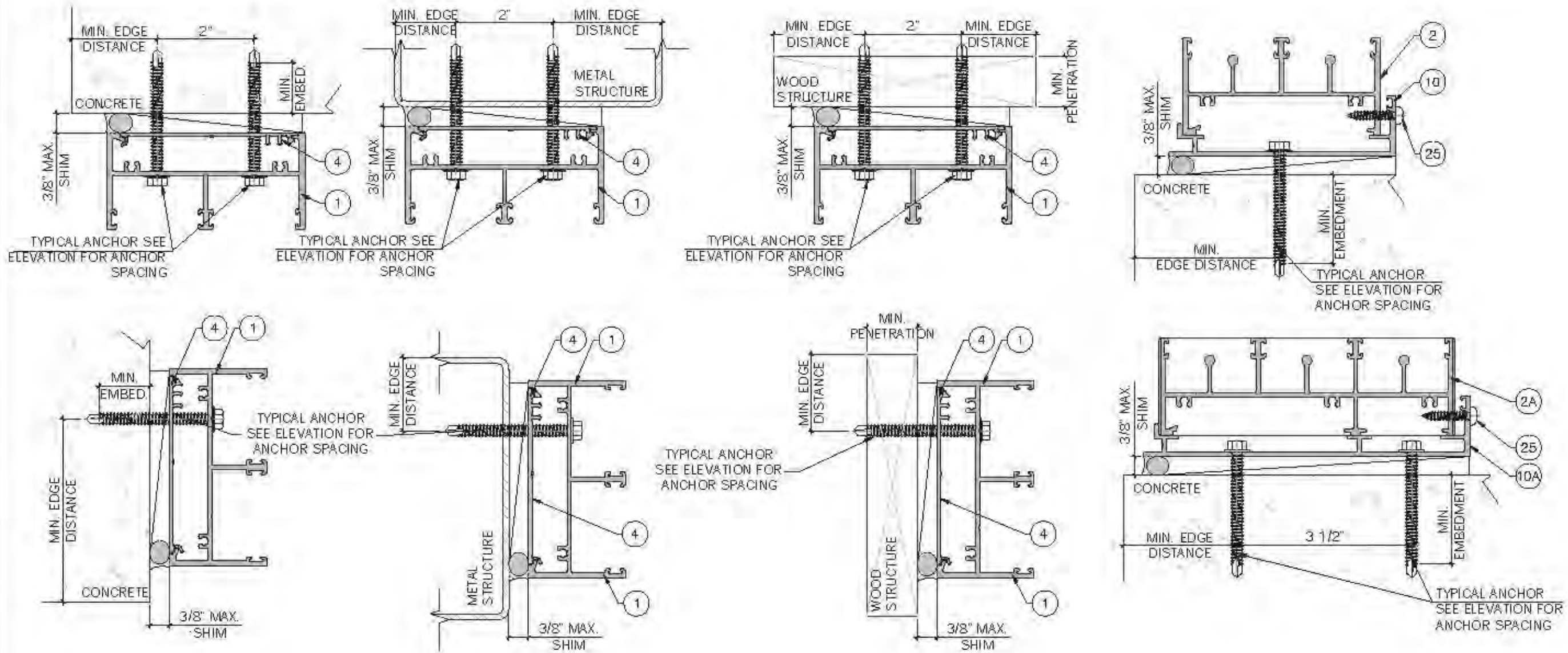
NOTE: FOR SIZE SHOWN ABOVE OR SMALLER AS PERMITTED BY FBC



FLORIDA APPROVAL:
FL # 41360



Drawn By	Checked By	Design
02/28/2022		
MAX. NO. OF		
AD22-05		
E2		
3 OF 14		



TYPICAL ANCHOR TYPES:
SEE ELEVATIONS FOR SPACING

TYPE 'A': 1/4" DIA. ULTRACON+ BY DEWALT (Fu=164 KSI, Fy=148 KSI)
THRU 1BY OR 2BY WOOD BUCKS INTO CONCRETE
WITH 1 1/2" MIN. PENETRATION INTO WOOD
OR THRU WOOD INTO MASONRY

TYPE 'B': 1/4" DIA. ULTRACON+ BY DEWALT (Fu=164 KSI, Fy=148 KSI)
DIRECTLY INTO CONCRETE (fc=3000 PSI MIN.)
WITH 1 3/4" MIN. EMBED
DIRECTLY INTO HOLLOW BLOCK (JAMB ONLY)
WITH 1 1/4" MIN. EMBED.

DIRECTLY INTO GROUT FILLED BLOCKS (JAMB ONLY)
WITH 1 3/4" MIN. EMBED

TYPE 'C': 1/4" TEKS SELF DRILLING SCREW (GRADE 5) (Fu=120 KSI, Fy=90 KSI)
INTO APPROVED MULLIONS
INTO METAL STRUCTURE
STEEL: 12 GA. MIN. (Fy=36 KSI MIN.)
ALUMINUM: 1/8" THK. MIN. (6063-T6 MIN.)
(STEEL IN CONTACT WITH ALUMINUM TO BE PLATED OR PANTED)

TYPICAL ANCHOR EDGE DISTANCE:
INTO CONCRETE AND MASONRY = 2 1/2" MIN.
INTO WOOD STRUCTURE = 1" MIN.
INTO METAL STRUCTURE = 3/4" MIN.

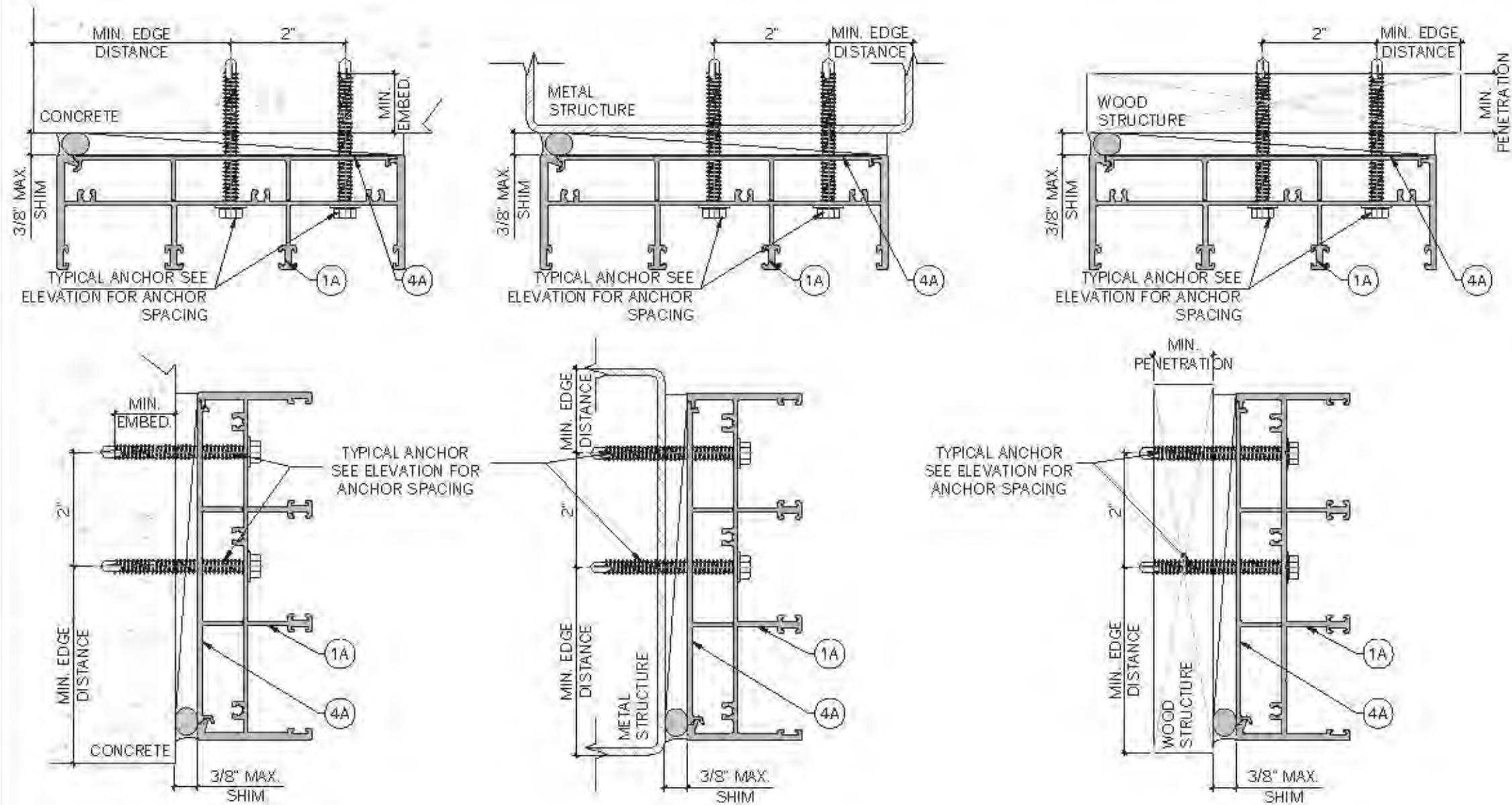
WOOD SG = 0.55 MIN. (HEAD & JAMB)
CONCRETE fc = 3000 psi MIN. (HEAD & SILL & JAMB)
C-90 HOLLOW/FILLED BLOCK Fm = 2000 psi MIN. (JAMB ONLY)
NORMAL STRENGTH CMU

GLAZING BEAD AT FRAME SILL SEALED TO GLASS WITH DOW CORNING 983.
FRAME CORNERS SEALED WITH DOW CORNING 999 OR EQUAL COMPATIBLE

FLORIDA APPROVAL:
FL # 41360



Drawn Date	02/28/2022	Drawn By	
Checked		Design	
Rev.		Chg.	
AD22-05			
A1			
4 OF 14			



TYPICAL ANCHOR TYPES:
SEE ELEVATIONS FOR SPACING

TYPE 'A': 1/4" DIA. ULTRACON+ BY DEWALT (Fu=164 KSI, Fy=148 KSI)
THRU 1BY OR 2BY WOOD BUCKS INTO CONCRETE
WITH 1 1/2" MIN. PENETRATION INTO WOOD
OR THRU WOOD INTO MASONRY

TYPE 'B': 1/4" DIA. ULTRACON+ BY DEWALT (Fu=164 KSI, Fy=148 KSI)
DIRECTLY INTO CONCRETE (fc=3000 PSI MIN.)
WITH 1 3/4" MIN. EMBED
DIRECTLY INTO HOLLOW BLOCK (JAMB ONLY)
WITH 1 1/4" MIN. EMBED.

DIRECTLY INTO GROUT FILLED BLOCKS (JAMB ONLY)
WITH 1 3/4" MIN. EMBED

TYPE 'C': 1/4" TEKS SELF DRILLING SCREW (GRADE 5) (Fu=120 KSI, Fy=90 KSI)
INTO APPROVED MULLIONS
INTO METAL STRUCTURE
STEEL: 12 GA. MIN. (Fy=36 KSI MIN.)
ALUMINUM: 1/8" THK. MIN. (6063-T6 MIN.)
(STEEL IN CONTACT WITH ALUMINUM TO BE PLATED OR PANTED)

TYPICAL ANCHOR EDGE DISTANCE:
INTO CONCRETE AND MASONRY = 2 1/2" MIN.
INTO WOOD STRUCTURE = 1" MIN.
INTO METAL STRUCTURE = 3/4" MIN.

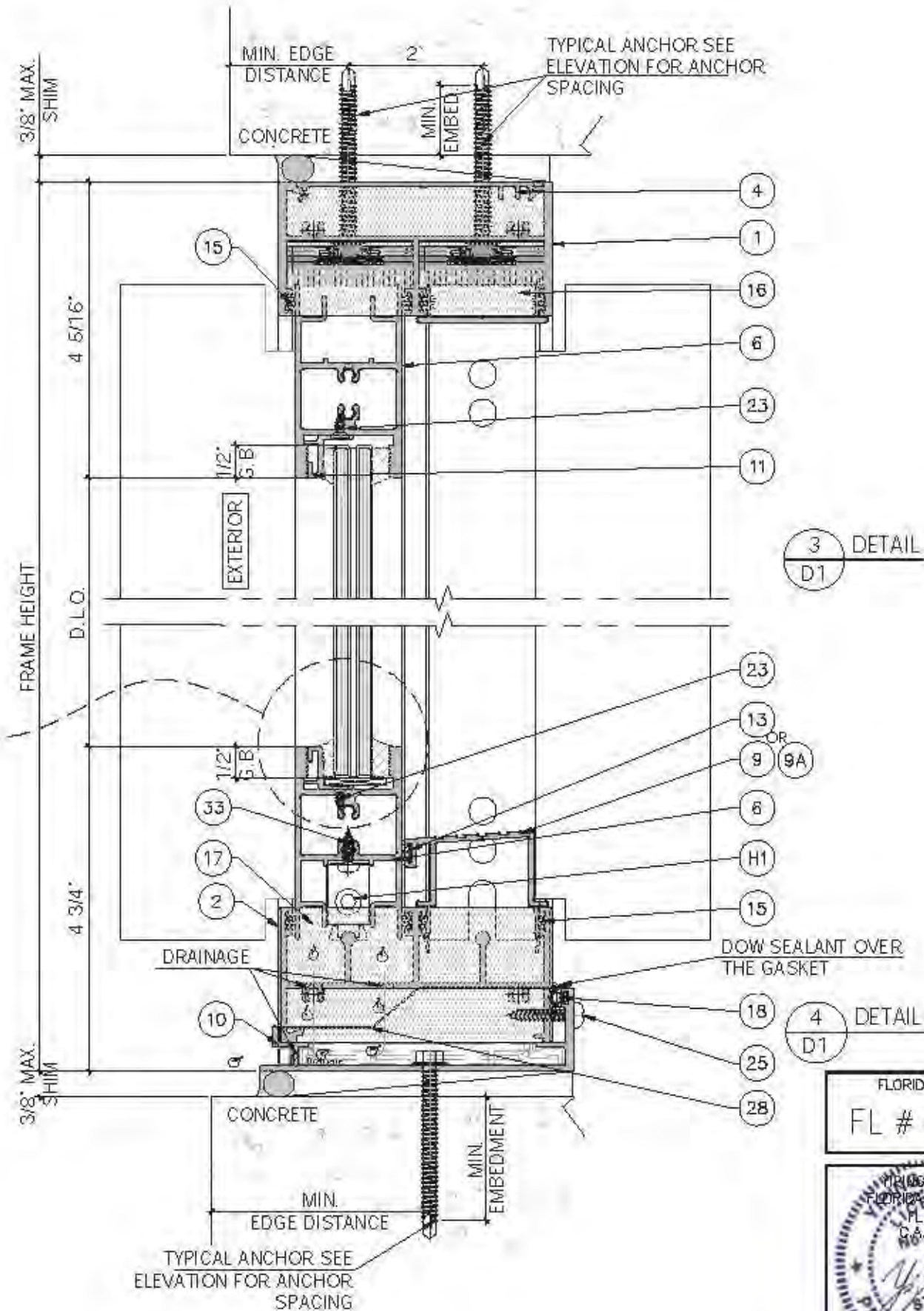
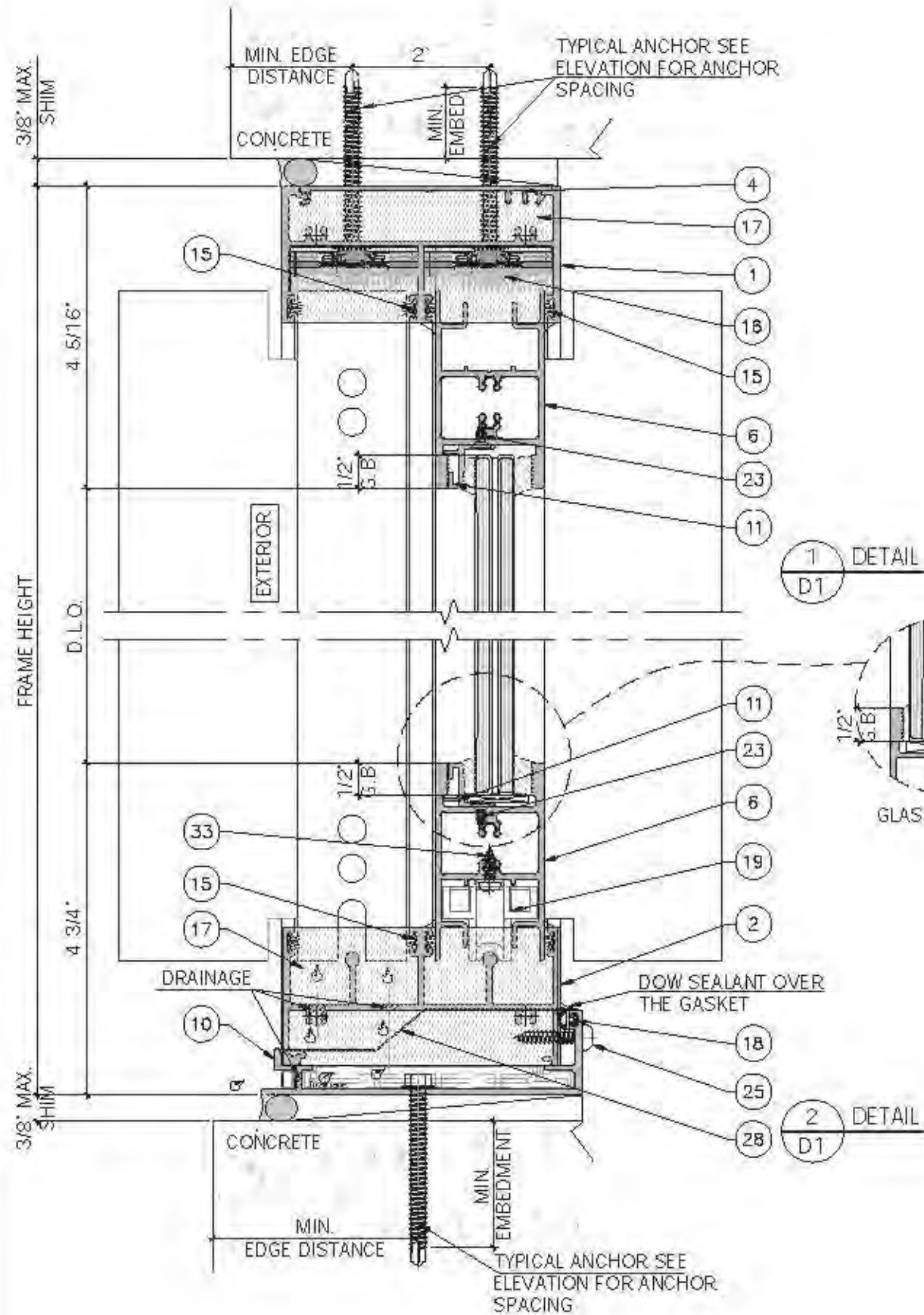
WOOD SG = 0.55 MIN. (HEAD & JAMB)
CONCRETE fc = 3000 psi MIN. (HEAD & SILL & JAMB)
C-90 HOLLOW/FILLED BLOCK fm = 2000 psi MIN. (JAMB ONLY)
NORMAL STRENGTH CMU

GLAZING BEAD AT FRAME SILL SEALED TO GLASS WITH DOW CORNING 983.
FRAME CORNERS SEALED WITH DOW CORNING 999 OR EQUAL COMPATIBLE

FLORIDA APPROVAL:
FL # 41360



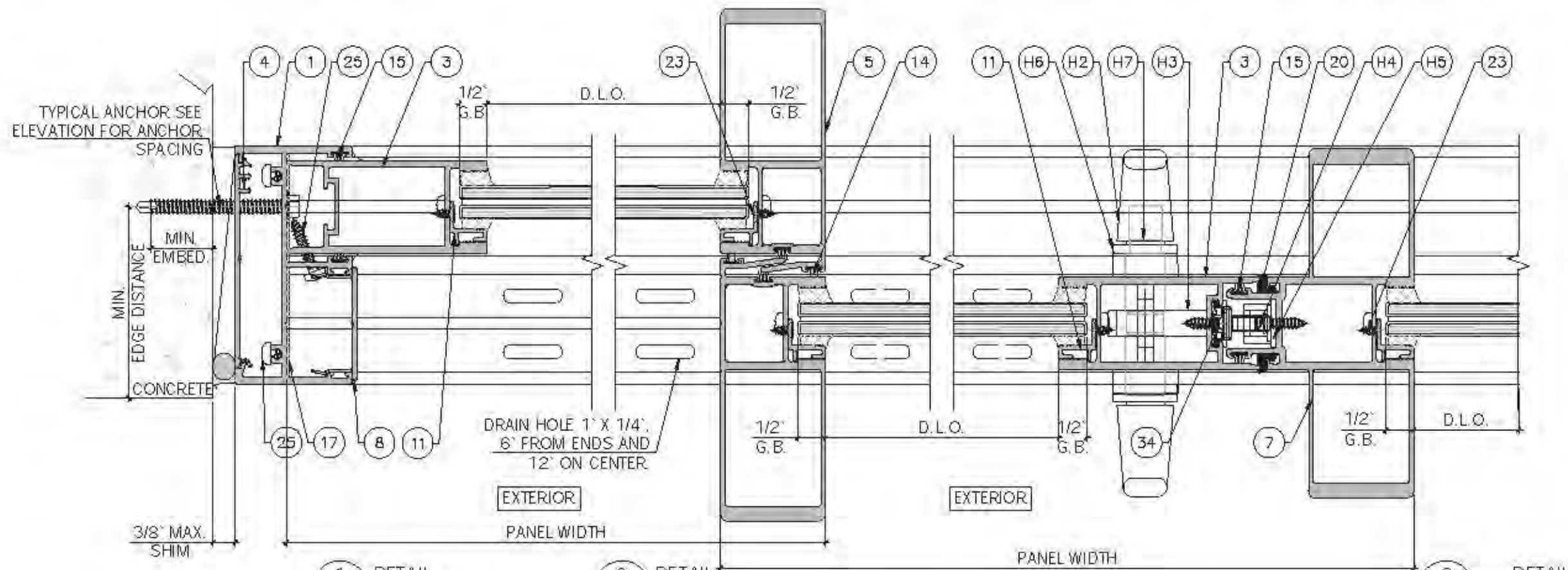
Drawn By	02/28/2022	Checked By	
Design		Rev.	
03/07/2022		04	
AD22-05			
A2			
5 OF 14			



FLORIDA APPROVAL:
FL # 41360



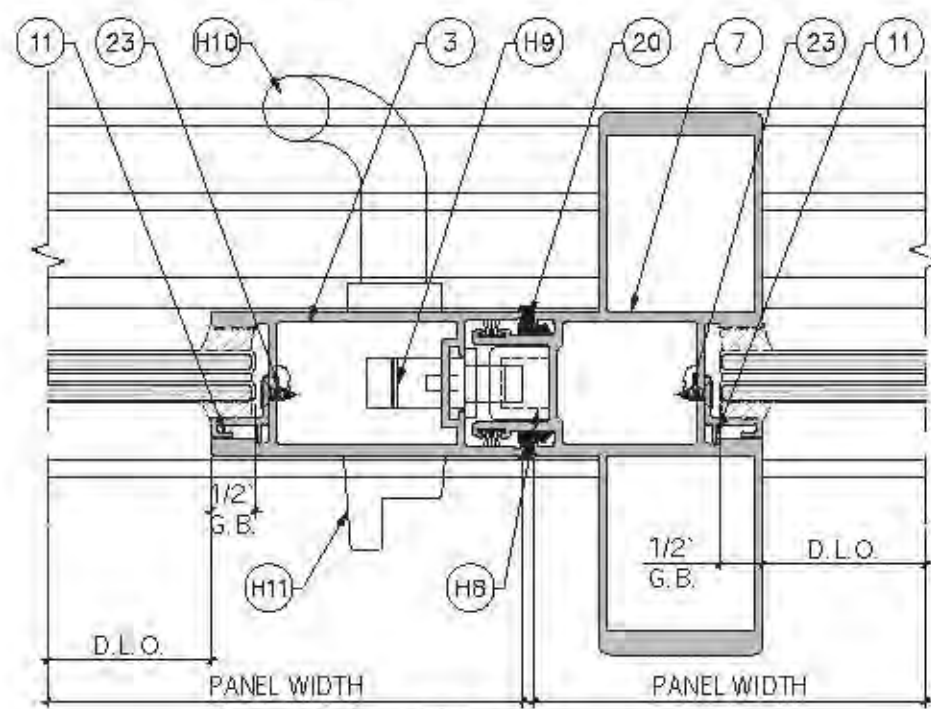
Drawn By	02/28/2022	Checked By	
Design		Rev.	
Proj. No.		Rev. No.	
DATE REC'D.			
AD22-05			
D1			
3 OF 14			
6 OF 14			



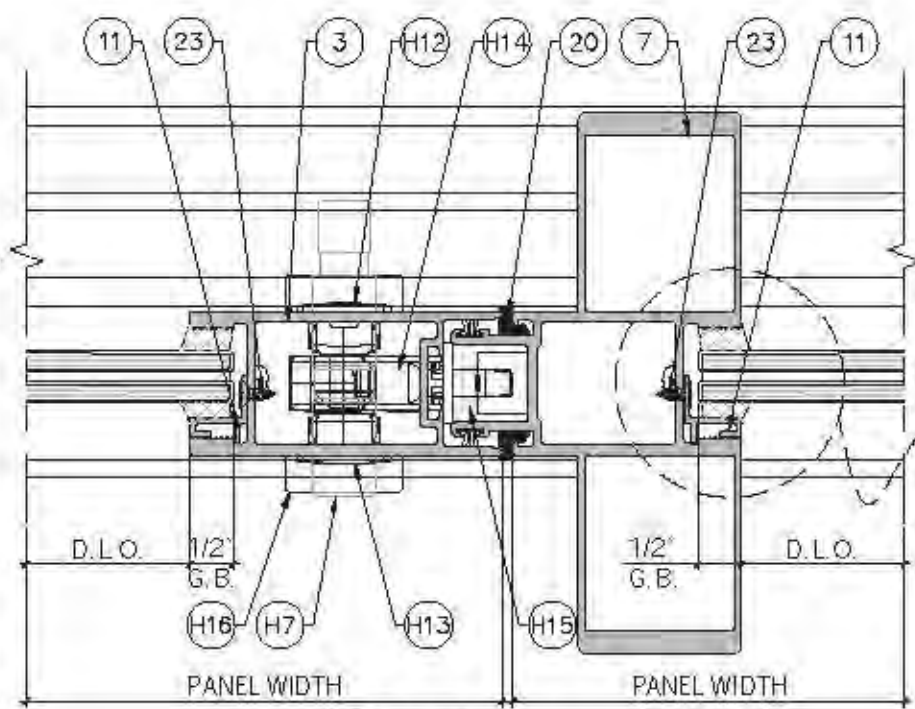
1 DETAIL
D2

2 DETAIL
D2

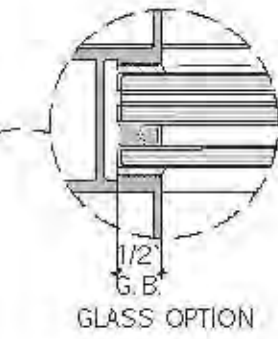
3 DETAIL
D2 HARDWARE
OPTION #1



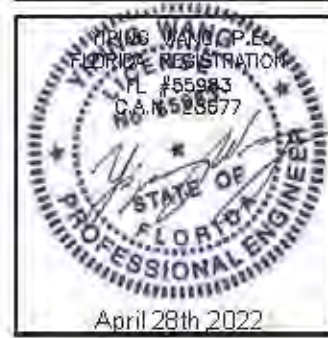
3 DETAIL
D2 HARDWARE
OPTION #2



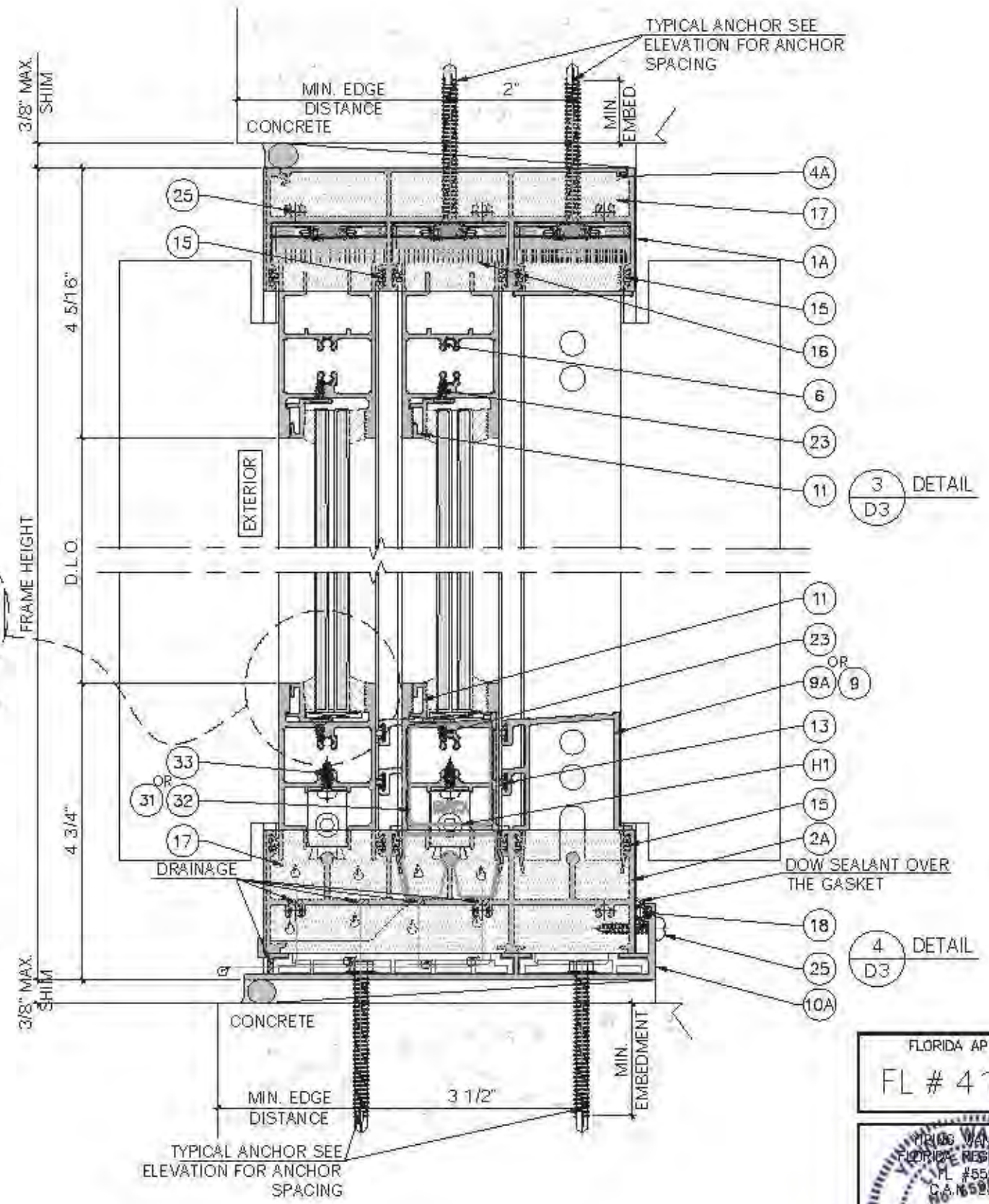
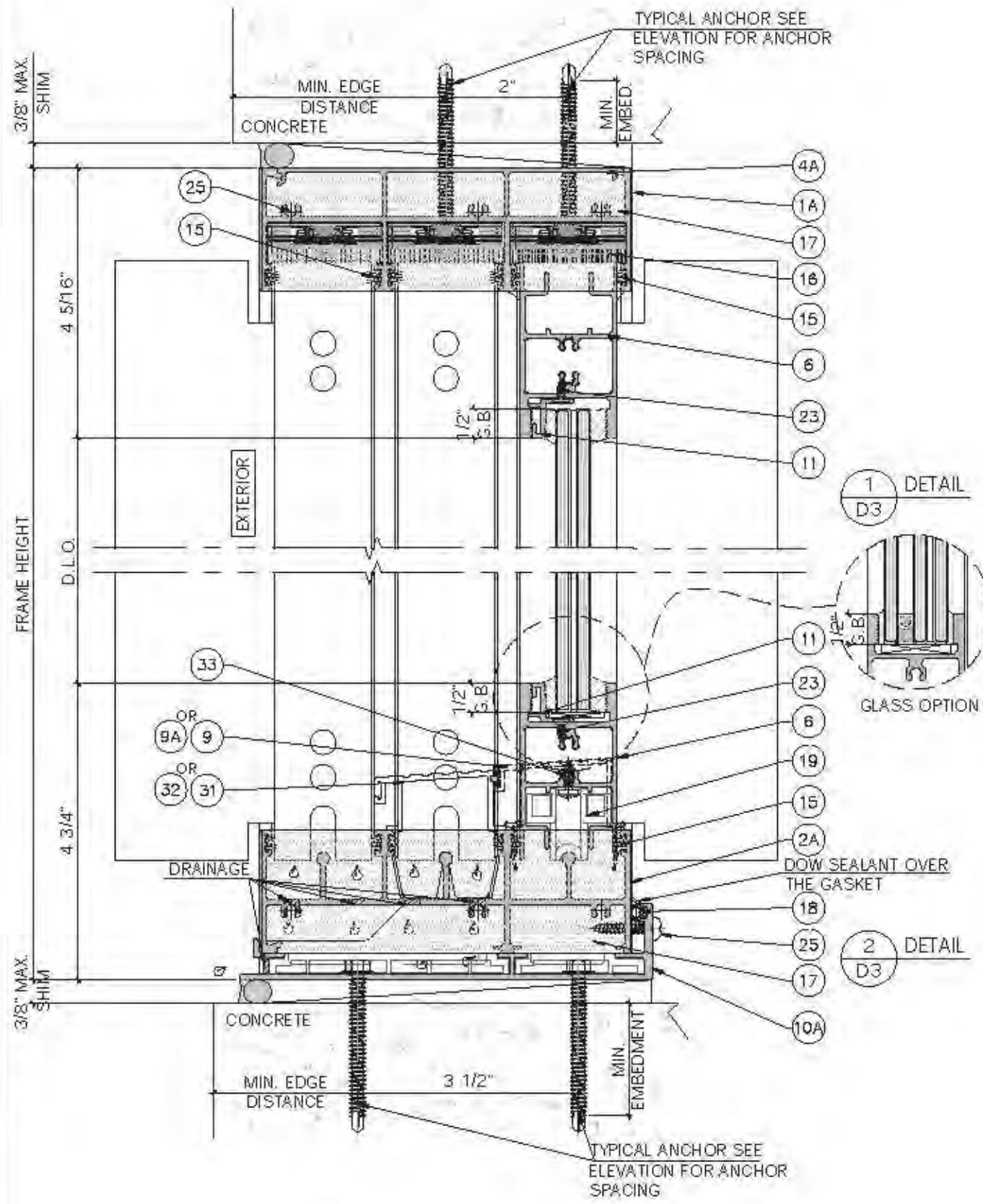
3 DETAIL
D2 HARDWARE
OPTION #3



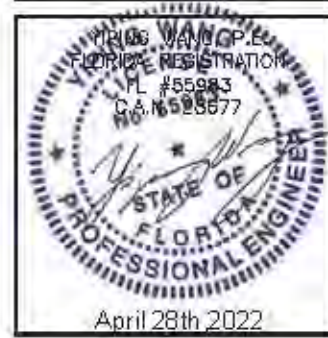
FLORIDA APPROVAL:
FL # 41360



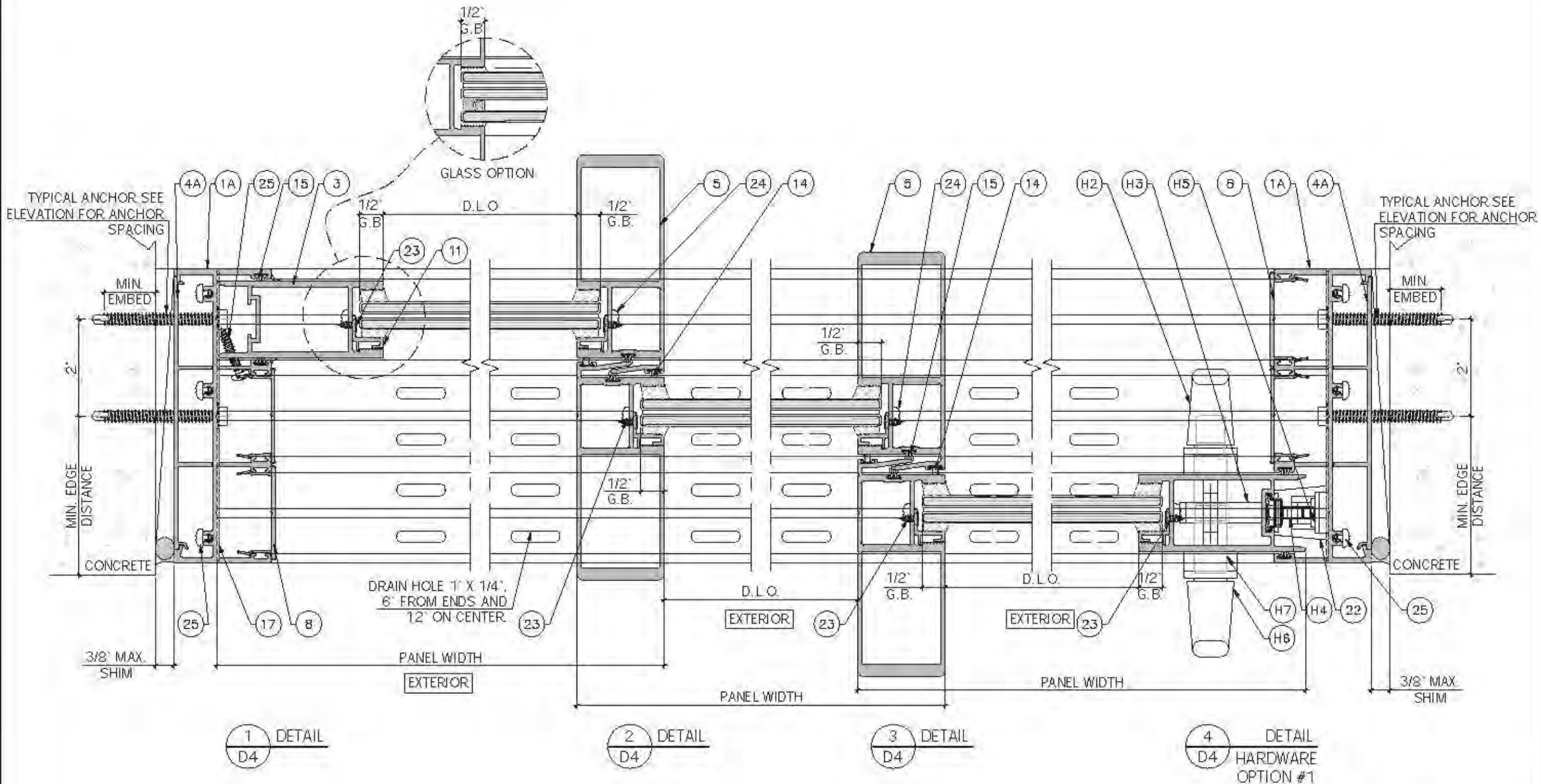
Drawn By	Checked By	Design
03/22/2022	03/22/2022	AD22-05
AD22-05		
D2		
7 OF 14		



FLORIDA APPROVAL:
FL # 41360



Drawn By	02/28/2022	Checked By	
Design		Rev. No.	
DATE	03/07/2022	DATE	
BY	J. Wang	BY	
PROJECT NO.	AD22-05	PROJECT NO.	
SCALE	D3	SCALE	
SHEET NO.	8 OF 14	SHEET NO.	



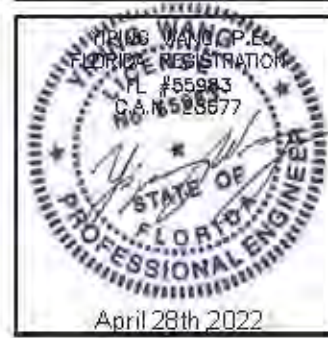
1
D4
DETAIL

2
D4
DETAIL

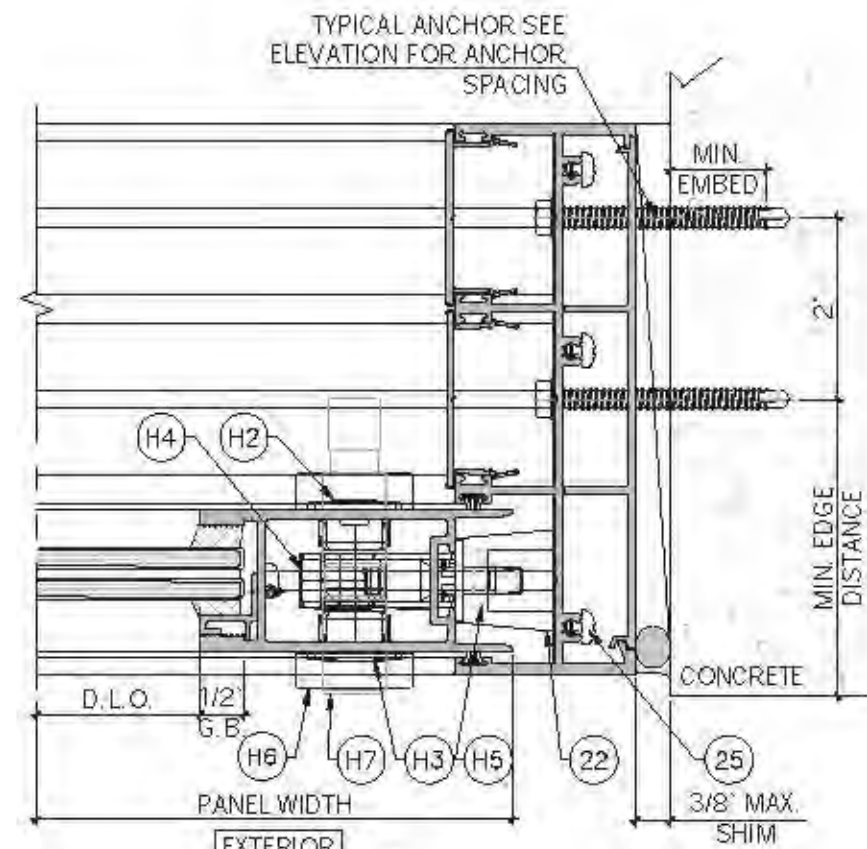
3
D4
DETAIL

4
D4
DETAIL
HARDWARE
OPTION #1

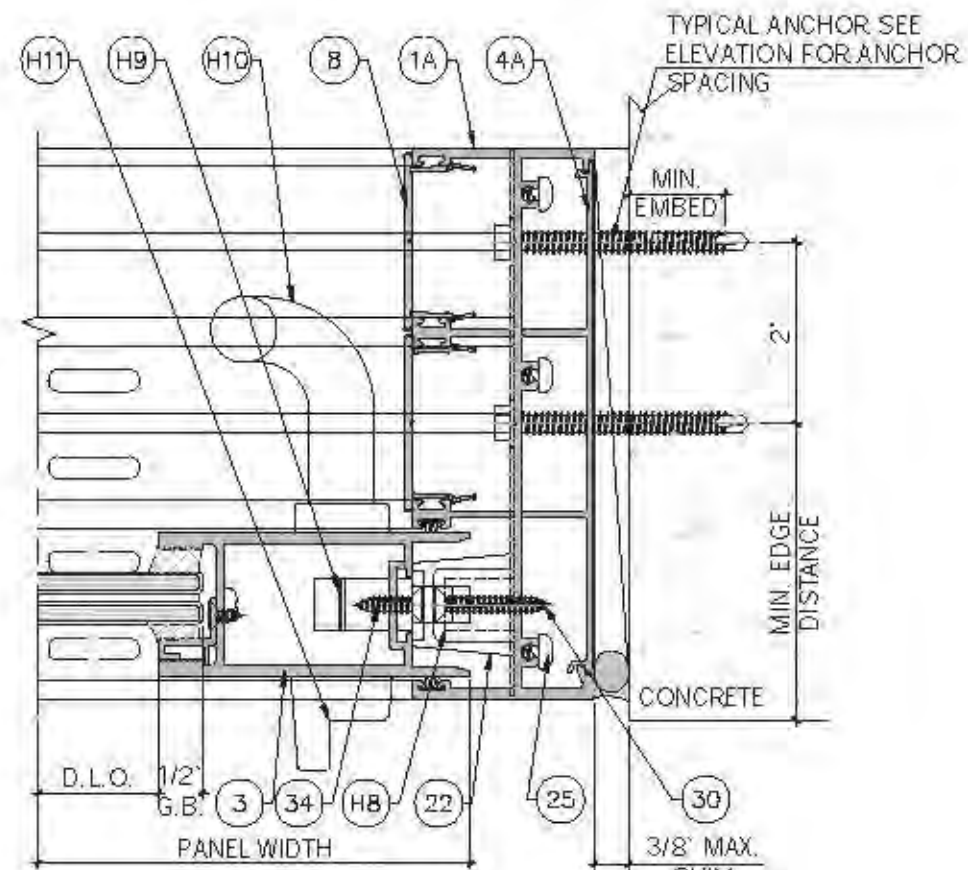
FLORIDA APPROVAL:
FL # 41360



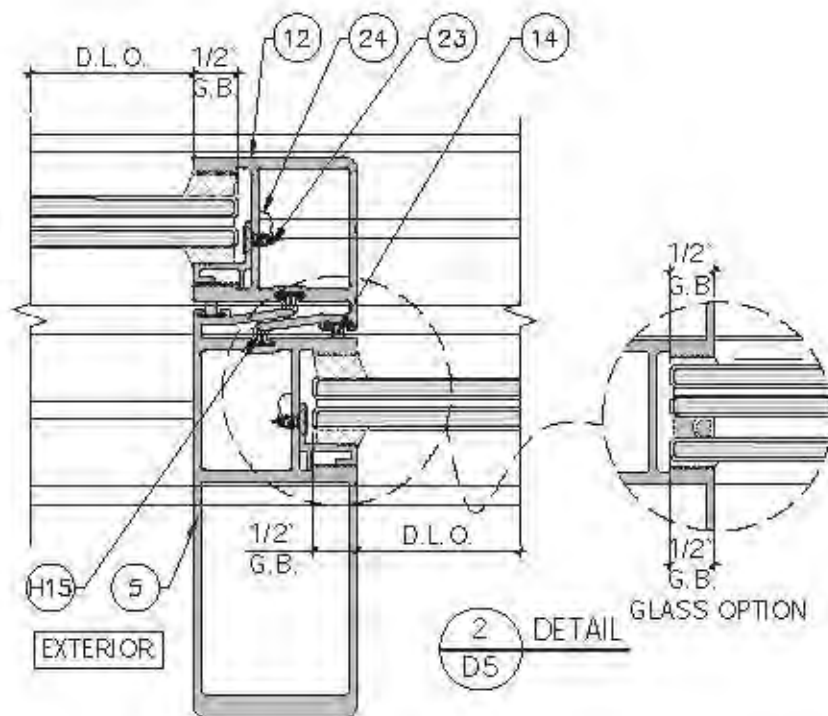
Drawn Date 07.28.2022	Drawn By D4
D4	
9 OF 14	



1
D5
DETAIL
HARDWARE
OPTION #3



1
D5
DETAIL
HARDWARE
OPTION #2

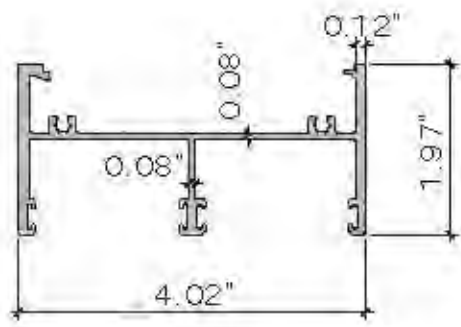


2
D5
DETAIL
GLASS OPTION

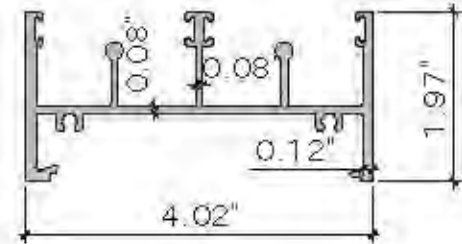
FLORIDA APPROVAL:
FL # 41360



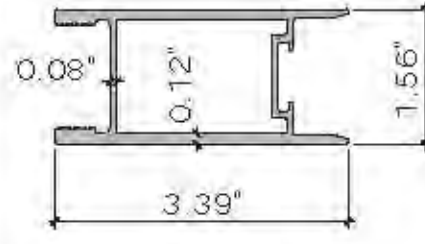
Drawn Date	Drawn By	Checked By	Designation
02.28.2022			
DRAWING NO.			
AD22-05			
D5			
Sheet No.			
10 OF 14			



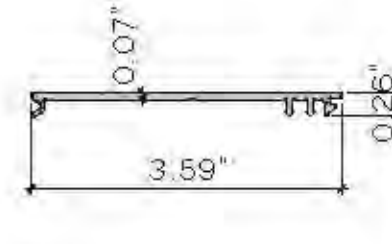
① DOOR FRAME SPA10058
ALUM.6063-T5



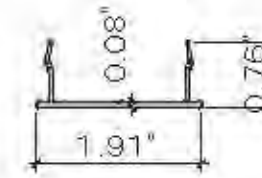
② DOOR TRACK SPA10059
ALUM.6063-T5



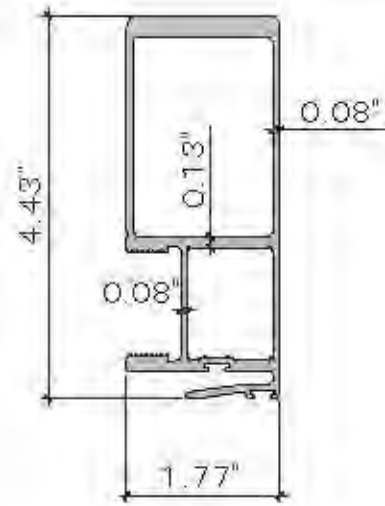
③ DOOR LOCK STILE SPA10162B
ALUM.6063-T5



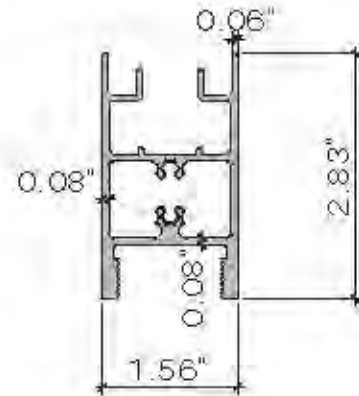
④ FLUSH ADAPTOR SPA10007
ALUM.6063-T5



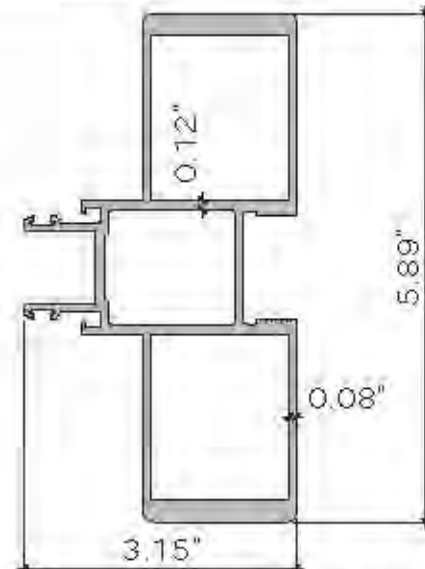
⑧ FRAME ADAPTOR SPA10029
ALUM.6063-T5



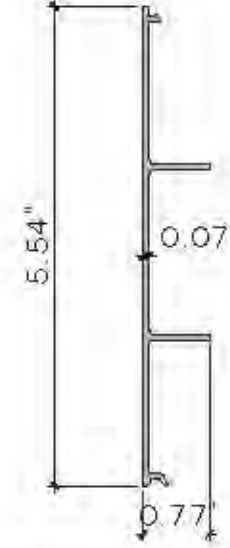
⑤ HEAVY DUTY INTERLOCK SPA10025A
ALUM.6063-T5



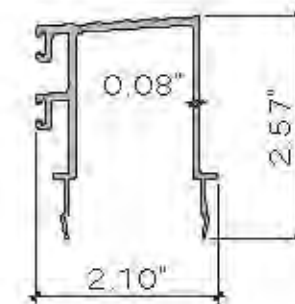
⑥ TOP & BOTTOM RAIL SPA10098
ALUM.6063-T5



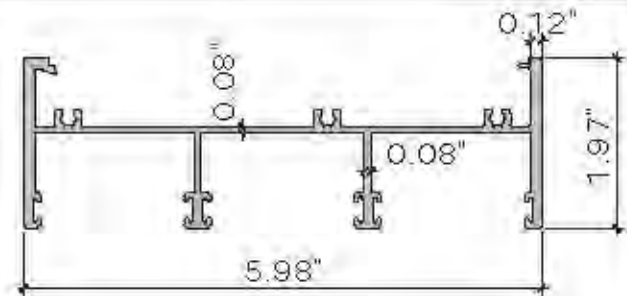
⑦ HEAVY DUTY MALE LOCK STILE SPA10163
ALUM.6063-T5



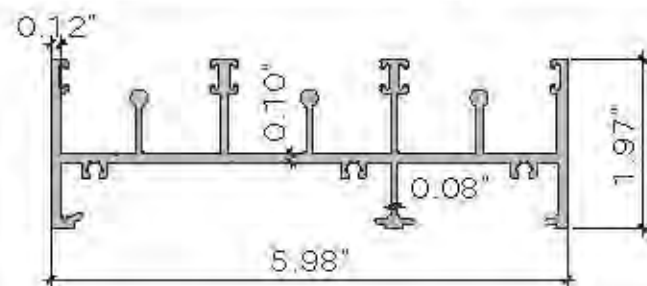
④A FLUSH ADAPTOR SPA15007A
ALUM.6063-T5



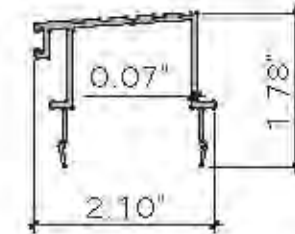
⑨A DOOR SILL ADAPTOR SPA10039
ALUM.6063-T5



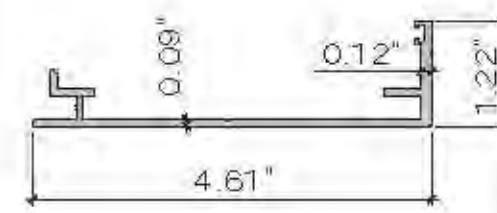
①A DOOR FRAME SPA15033
ALUM.6063-T5



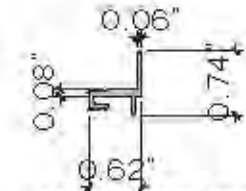
②A DOOR TRACK SPA15034
ALUM.6063-T5



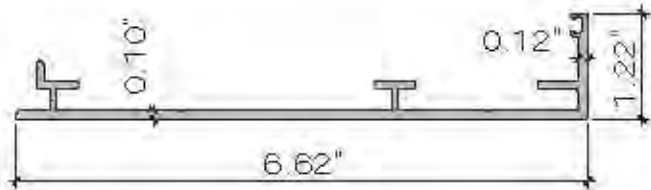
⑨ DOOR SILL ADAPTOR SPA10036
ALUM.6063-T5



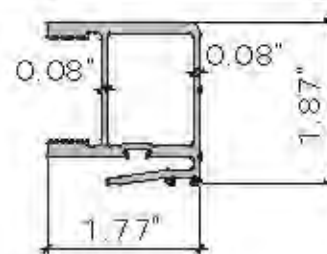
⑩ SUB SILL SPA10060
ALUM.6063-T5



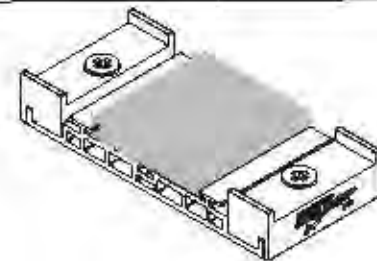
⑪ LAM. GLASS ADAPTOR SPA10040
ALUM.6063-T5



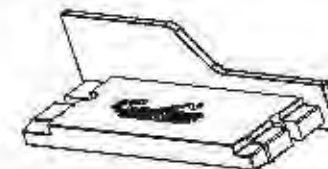
⑩A SUB SILL SPA15035
ALUM.6063-T5



⑫ INTERLOCK SPA10023
ALUM.6063-T5

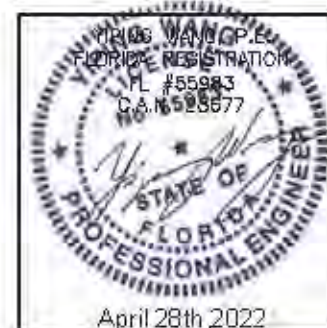


⑬ TOP SEALING BLOCK AND STOPPER ACSPA001



⑭ SUBSILL END CAP (L&R) ACSPA008

FLORIDA APPROVAL
FL # 41360



Rev. No.	Description	By	Check	Date
01	03/07/2022	JINNA	NEW PRODUCT 1 APP L103	
02	02/28/2027			

Drawn Date: 02/28/2027

Drawn By: JINNA

Check By: JINNA

Check Date: 02/28/2027

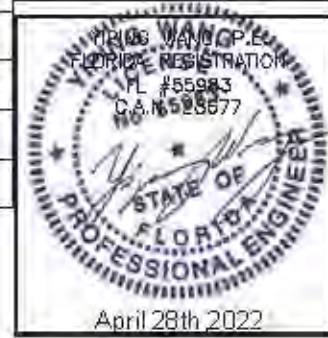
Part No. AD22-05

Sheet No. 11 OF 14

BILL OF MATERIALS

ITEM	PART	DESCRIPTION	MATERIAL	MANUFACTURE
1	SPA10058	FRAME HEAD AND JAMB	ALUM. 6063-T5	GUANGYA ALU. COMPANY
1A	SPA15033	DOOR FRAME	ALUM. 6063-T5	GUANGYA ALU. COMPANY
2	SPA10059	FRAME SILL	ALUM. 6063-T5	GUANGYA ALU. COMPANY
2A	SPA15034	DOOR TRACK	ALUM. 6063-T5	GUANGYA ALU. COMPANY
3	SPA10162B	DOOR LOCK STILE	ALUM. 6063-T5	GUANGYA ALU. COMPANY
4	SPA10007	FLUSH ADAPTOR	ALUM. 6063-T5	GUANGYA ALU. COMPANY
4A	SPA15007A	FLUSH ADAPTOR	ALUM. 6063-T5	GUANGYA ALU. COMPANY
5	SPA10025A	HEAVY DUTY INTERLOCK	ALUM. 6063-T5	GUANGYA ALU. COMPANY
6	SPA10098	TOP & BOTTOM RAIL	ALUM. 6063-T5	GUANGYA ALU. COMPANY
7	SPA10163	HEAVY DUTY MALE LOCK STILE	ALUM. 6063-T5	GUANGYA ALU. COMPANY
8	SPA10029	FRAME ADAPTOR	ALUM. 6063-T5	GUANGYA ALU. COMPANY
9	SPA10036	LOW THRESHOLD	ALUM. 6063-T5	GUANGYA ALU. COMPANY
9A	SPA10039	HIGH THRESHOLD	ALUM. 6063-T5	GUANGYA ALU. COMPANY
10	SPA10060	SUB SILL	ALUM. 6063-T5	GUANGYA ALU. COMPANY
10A	SPA15035	SUB SILL	ALUM. 6063-T5	GUANGYA ALU. COMPANY
11	SPA10040	LAM. GLASS ADAPTOR	ALUM. 6063-T5	GUANGYA ALU. COMPANY
12	SPA10023	INTERLOCK	ALUM. 6063-T5	GUANGYA ALU. COMPANY
13	KS211	THRESHOLD GASKET, ADUROMETER 9±2 SHORE A	FOAM	-
14	KS201	INTERLOCK GASKET, ADUROMETER 9±2 SHORE A	FOAM	-
15	7-3.5-4	PILE W'STRIPPING WITH FIN	-	-
16	ACSPA001	TOP SEALING BLOCK AND STOPPER	PA66	SUPERHOUSE COMPANY
17	SPA10001W	FRAME JOINT GASKET	-	3M COMPANY
18	SBWG-006	SUBSILL GASKET, ADUROMETER 70±5 SHORE A	EPDM	-
19	ACSPA020	SUPPORT BLOCK FOR FIX PANEL BOTTOM	PA66	SUPERHOUSE COMPANY
20	KS521	MALE LOCK STILE GASKET, ADUROMETER 9±2 SHORE A	FOAM	-
21	-	EPDM SETTING BLOCK 3/32" X 7/8", ADUROMETER 75±5 SHORE A	EPDM	-
22	-	EPDM STOPPER, ADUROMETER 65±2 SHORE A	EPDM	-
23	-	PANEL ASSEMBLY SCREWS DIA. 5/32" X 3/8", @12" O.C.	STAINLESS STEEL	CHUANGGU COMPANY
24	-	PANEL ASSEMBLY SCREWS DIA. 3/16" X 1 1/2"	STAINLESS STEEL	CHUANGGU COMPANY
25	-	PANEL ASSEMBLY SCREWS DIA. 3/16" X 1", @12" O.C.	STAINLESS STEEL	CHUANGGU COMPANY
26	-	EPDM SETTING BLOCK 5/32" X 1-3/32", ADUROMETER 75±5 SHORE A	STAINLESS STEEL	CHUANGGU COMPANY
27	-	STRUCTURE SILICONE DOWSIL 995	SILICONE	DOWSIL
28	ACSPA008	SUBSILL END CAP (L&R)	PA66	SUPERHOUSE COMPANY
29	-	PANEL ASSEMBLY SCREW DIA. 5/32" X 1/2" PH SMS	STAINLESS STEEL	CHUANGGU COMPANY
30	-	PANEL ASSEMBLY SCREWS DIA. 3/16" X 1 1/4" PH SMS	STAINLESS STEEL	CHUANGGU COMPANY
31	ACSPA-018	LOW THRESHOLD END CAP	TPR	SUPERHOUSE COMPANY
32	ACSPA-051	HIGH THRESHOLD END CAP	TPR	SUPERHOUSE COMPANY
33	-	PANEL ASSEMBLY SCREWS DIA. 5/32" X 1/2" PH SMS	STAINLESS STEEL	CHUANGGU COMPANY
34	-	PANEL ASSEMBLY SCREWS DIA. 3/16" X 3/4" FH SMS	STAINLESS STEEL	CHUANGGU COMPANY

FLORIDA APPROVAL
FL # 41360



Drawn By	02/28/2022	Checked By	
Design No.	AD22-05	Revision	
Sheet No.	BOM	Total Sheets	12 OF 14

BILL OF MATERIALS

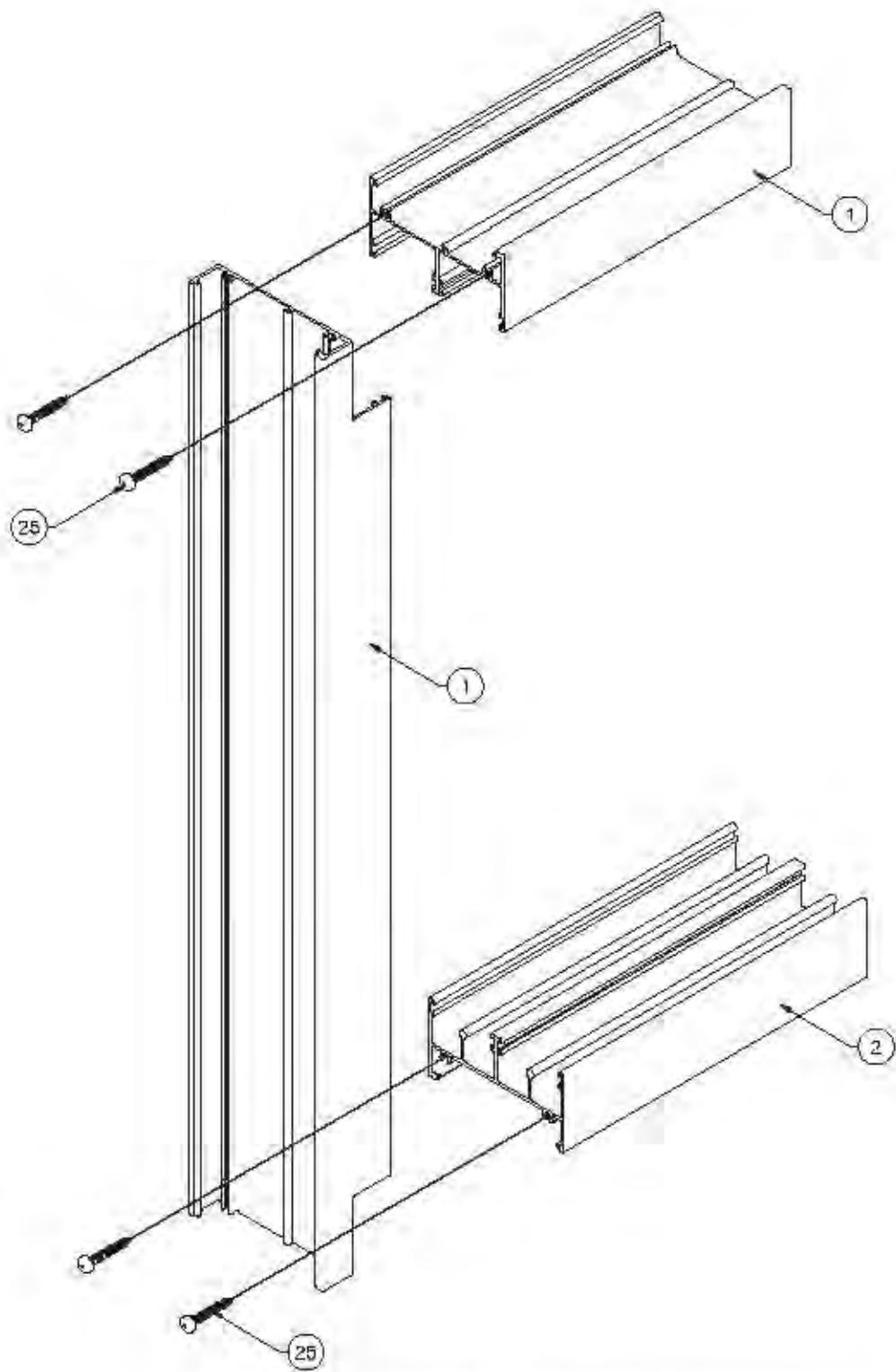
ITEM	PART	DESCRIPTION	MATERIAL	MANUFACTURE
H1	SA89181-02T	DOOR ROLLER	PA66	PAG
H2	E010204	HANDLE	ZINC ALLOY	CMECH
H3	35PZ/C	MULTI-POINT LOCK	ZINC ALLOY	SIEGENIA
H4	MTL08	HOOK	STAINLESS STEEL	MUTU
H5	MTJ08E	KEEPER	STAINLESS STEEL	MUTU
H6	E140001	CYLINDER COVER	ZINC ALLOY	CMECH
H7	R3030	CYLINDER	BRASS	CMECH
H8	ACHSPA002	DOOR KEEPER	STAINLESS STEEL	SUPERHOUSE COMPANY
H9	D70L-SS	DUAL POINT MORTISE LOCK	STAINLESS STEEL	DNW COMPANY
H10	2095 HANDLE - AL	INTERIOR HANDLE	STAINLESS STEEL	DNW COMPANY
H11	2095 HANDLE - AL	EXTERIOR HANDLE	STAINLESS STEEL	DNW COMPANY
H12	E010023	EXTERIOR HANDLE	ZINC ALLOY	CMECH
H13	E010019	INTERIOR HANDLE	ZINC ALLOY	CMECH
H14	MTK02A-30	DUAL POINT MORTISE LOCK	STAINLESS STEEL	MUTU
H15	MTJ02C	KEEPER	STAINLESS STEEL	MUTU
H16	E140001	CYLINDER COVER	ZINC ALLOY	CMECH

FLORIDA APPROVAL:
FL # 41360

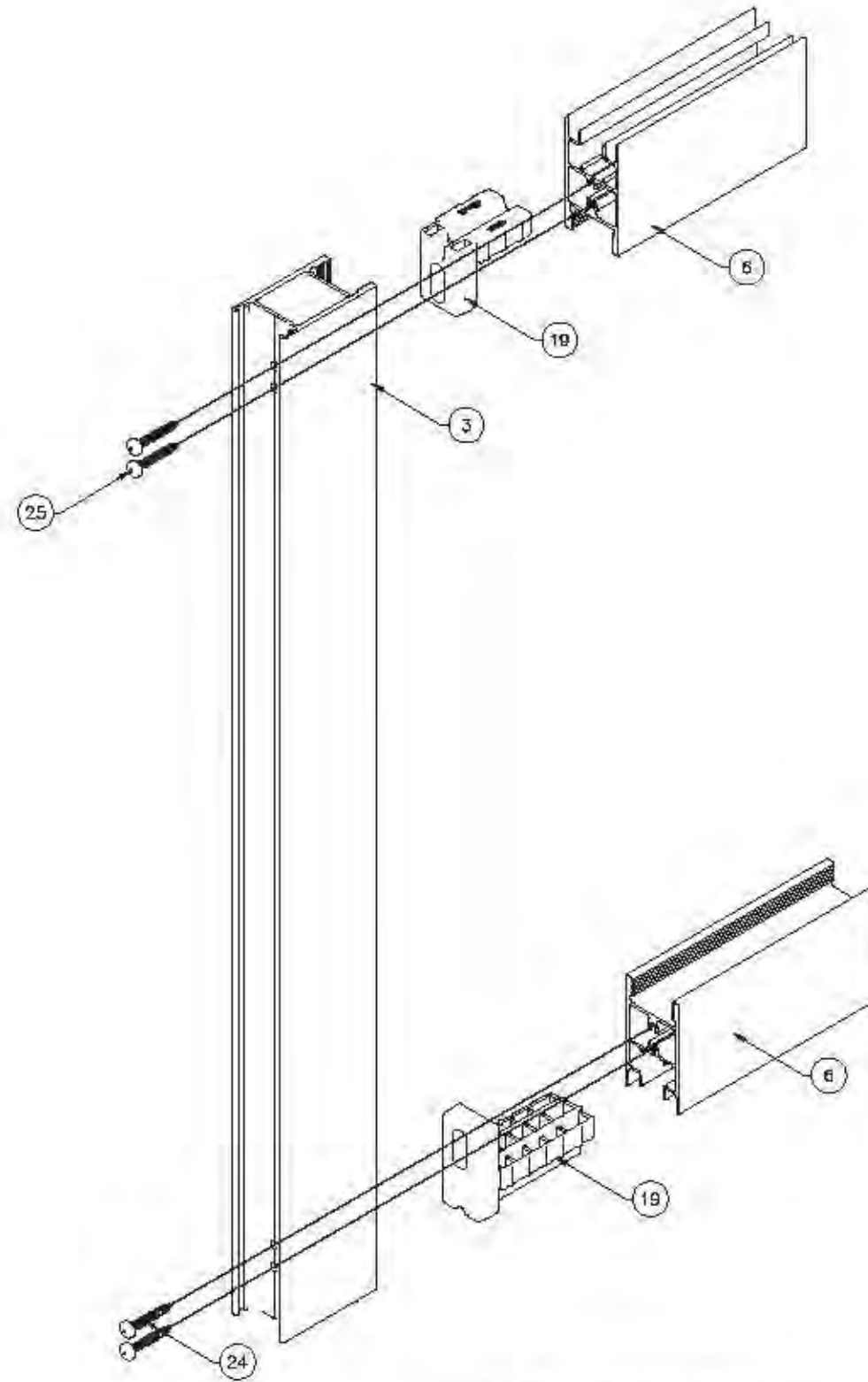


Drawn Date 02/28/2022	Drawn By JAW
DRAWING NO. AD22-05	
BOM	
Sheet No. 13 OF 14	

01 03/07/2022 James Wang
 Design
 02 03/07/2022 James Wang
 Design



FRAME CORNER ASSEMBLY
TOP AND BOTTOM



PANEL ASSEMBLY
TOP AND BOTTOM

FLORIDA APPROVAL:
FL # 41360



01	03/07/2022	James	NEW PRODUCT - APPL. ICA 1317	Design
				Drawn
				Check
				Rev.
				Issued
Drawn Date: 02/28/2022		Drawn By:		
DAKIN INC. HQ.				
AD22 - 05				
ASSEMBLY				
Sheet No. 14 OF 14				