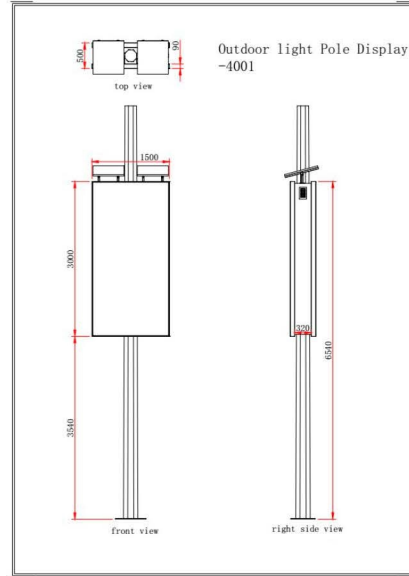


Advertising Board For Solar Street Light Pole — A1

Outdoor Ads Sign Board For All Type of Poles

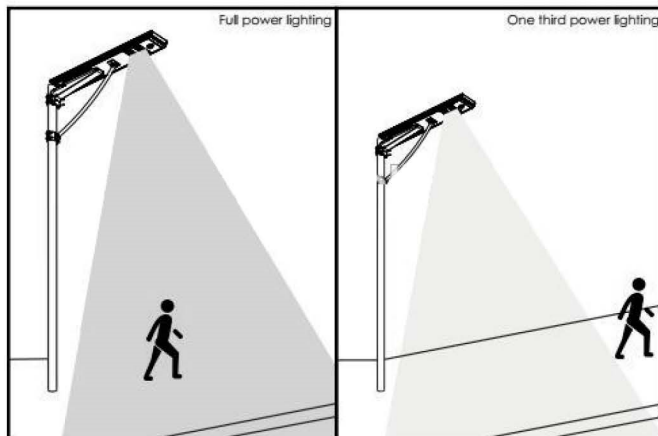
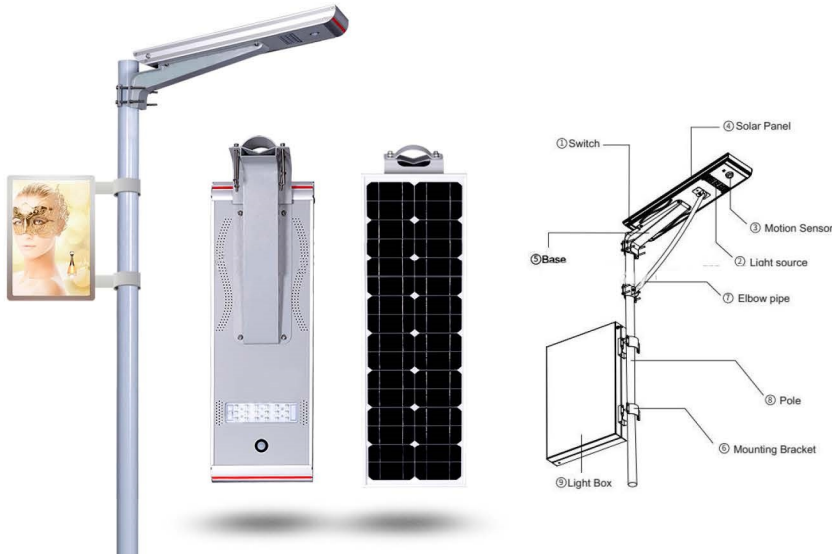


Model	Solar Lamp Pole Advertising Board
Size	
Height(mm)	1800
Length(mm)	1200
Width(mm)	330
Quick Details	
Material	Steel, Aluminum
Shape	Rectangle
Power Consum	None
Product name	Advertisement Customized Lamp Pole Light Box
Front panles:	Toughened glass or PC
Backlit	LED strips or T8 tubes
Poster	PP film
Surface finished	Powder coated
Color	Customized
Easy picture change	Stick or magnetic clip
Poster quantity	12pcs for scrolling and 2pcs for static



Advertising Board For Solar Street Light Pole— A2

Outdoor Ads Sign Board For All Type of Poles



Model	AD Light Box for Solar Street Light Pole 2 in 1 Design
Size	
Height(mm)	900
Length(mm)	600
Width(mm)	120
Quick Details	
Light Source	Solar
Item Type	Advertising Board
LED Light Source	CREE
Input Voltage(V)	12V
Lamp Power(W)	20
Lamp Luminous Flux(lm)	2800
Lamp Luminous	140
CRI (Ra>)	80
Color Temperat	5700K±450K
Working Temperature(°C):	-20 - 60
Working Lifetime	50000
Lamp Body Material	Aluminum Alloy
IP Rating	Ip65, Ip65
Certification	CE, RoHS, SASO
Warranty(Year)	3
Power Supply	Solar Power
Solar Panel	18V/80W
Battery Type	LiFePO4 Lithium
Charge Time	6-8Hours
Mounting Height	6-8M
AD Light Box Size	900*600*120mm
AD Light Box Power	20W
AD Light Box Mounting Height	2.5-3M

Solar Advertising LED BOARD - INDEPENDENT BOX — A3

Outdoor Ads Sign Board For All Type of Poles



Model	Solar Advertising LED BOARD - INDEPENDENT BOX
Size	
Height(mm)	1800
Length(mm)	1200
Width(mm)	330
Quick Details	
Material	Aluminum
Shape	Rectangle
Power Consum	20W
Frame	Steel with powder coated
Color	White
LED source	3014/4014/2835/5630 SMD LED
Average brightness	At least 1000LUX
Lifespan	>50,000h
Application	Street pillar

Solar advertising light box, Solar light box, advertising display light box

1. Solar Batteries Module: Single/ Polycrystalline silicon solar panel
2. Light Source: LED lamp
3. Accumulator Battery: Free of maintenance, special solar battery.
4. Controller: Mini intellectual computer control, light control and time control, over-charge and over-discharge protection
5. Work Time: 6-10 hours/day, last 3-5days in cloudy/rainy days
6. Lamp Body: Alloy aluminum/stainless steel
7. Applicable Temperature: -30°C~50°C

Solar Light Box With Steel Pillar — A4

Outdoor Ads Sign Board For All Type of Poles



Model	Solar light box with steel pillar
Size	
Height(mm)	1800
Length(mm)	1200
Width(mm)	Customized
Quick Details	
Material	Steel, aluminum alloy
Shape	Rectangle
Power Consum	54W
Front panel	Toughened glass or PC
Backlit	LED strips or T8 tubes
Cover	Aluminum alloy
Application	Outdoor
Color	Customized
Surface treatment	Spray painting or hot dip galvanized
MOQ	20pcs



Lightpole light box

Solar Led Street Light With Pole Advertising Light Box — A5

Outdoor Ads Sign Board For All Type of Poles



Technical Specifications.

The Product Structure Resistant To 100 Km / h Wind And 8 Earthquake.

With Excellent Waterproof Performance, Safe And Reliable Power System

All Components Of The Product Can Be Processed According To Customer Requirements.

The Metal Structure Can Be Recycled Again Without Any Impact On The Environment.

Product Life Of Up To 5-8 Years.

We Can Provide Additional Installation, Technical Guidance And Training Services

Model	Solar led street light with pole advertising light box
Size	
Height(mm)	Customized
Length(mm)	Customized
Width(mm)	Customized
Quick Details	
Material	Metal/tempered glass
Shape	Pillar
Power Consum	Low Power
Structure	Steel
Frame	Aluminium
Panel	Tempered glass/PC
Light source	Led side light
Certification	CCC CE UL RoHS ISO
Feature	Water Proof
Type	Solar
Color	Customized Color
Warranty	2 years
Life span	Above 5 years



Smart Solar Compactor

Technical Specifications Sheet



Model	Single station (Compactor)	Double station
Overall Dimensions		
Height(mm)	1280	1280
Length(mm)	600	1200
Width(mm)	620	620
Weight	89kg	150kg
Shipping weight	102kg	168kg
Power & Electronics		
Monocrystalline silicon cell PV module	40 watts	80 watts
Sealed maintenance-free battery	12V36AH	12V36AH
Capacity		
Bin volume	100L	189L
Advertising Window Dimensions		
Length(mm)	1170	1170
Width(mm)	580	580

Product features

Fully automated, microprocessor controlled system senses fullness and machine status
LED status indicate fullness level, machine status and error codes



Compaction

Features a built in, patented solar powered trash compactor which triggers automatically based on the bin's fill level. It's compatible with standard 120L & 240L wheelle bins for easy and safe trash removal.



Telecommunication

Communicates information it collects in real time through wireless transmission to our smart waste management platform. 2G telecommunication modules are available through GSM networks.



Real-time data and analysis

The compaction and fill-level information are sent to the server, which not only helps the operation managers to understand the location and times of waste collections, but also improves the way they collect the trash by recommending the optimal collection routes based on real-time data and predictive analytics.

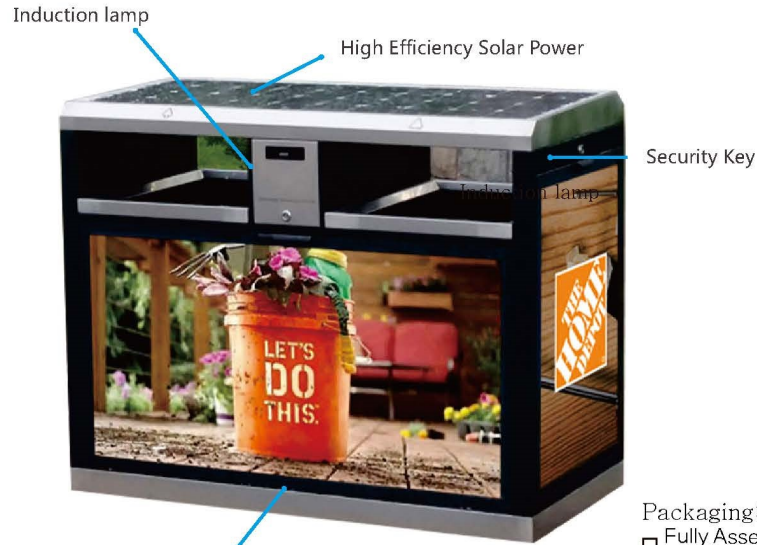


Customizable design & advertisements

The entire solar waste bin can be wrapped and printed for marketing purposes, such as promoting new initiatives and encouraging recycling. What's more, the solar-powered trash cans can be equipped with LED backlighting or LCD video screens to generate additional revenue through advertising.



Solar Advertising Trash Bin – S1



Description: Material, Colors & Sizes all Customizable

- Packaging:
- Fully Assembled
 - Flat Packed
- Flat packed requires assembly by a qualified tradesperson on site. incorrect assembly or assembly by unqualified person/s will void warranty.



Technical Specifications Sheet

Model	Standard	Premium
Overall Dimensions		
Height(mm)	970	1150
Length(mm)	1045	1350
Width(mm)	470	665
Power & Electronics		
Monocrystalline silicon cell PV module	50 watts	110 watts
Sealed maintenance-free battery	12V50AH	12V100AH
Advertisement window	Two sides	Four sides
Material & Design		
Material	Stainless Steel	
Advertising window	Tempered glass	
Strengthened integral frame	●	●
Integrated collecting bucket	●	●
Integral waterproof doorframe	●	●
Self-powered unit requires no wiring	●	●
	●	●
Capacity		
Bin volume	70L*2	100L*2
Advertising Window Dimensions		
Length(mm)	680(side)	1190
Width(mm)	360(side)	605

Premium Version



Solar Advertising Trash Bin—H1



Technical Specifications Sheet

Model	Solar Advertising Trash Bin	Solar Rolling Ads Trash Bin
Overall Dimensions		
Height(mm)	2000	2000
Length(mm)	1000	1000
Width(mm)	420	420
Power & Electronics		
Monocrystalline silicon cell PV module	50 watts	90 watts
Sealed maintenance-free battery	12V24AH	12V48AH
Auto rolling system	○	●
Material & Design		
Material	Galvanized Steel/Stainless Steel	
Advertising window	Acrylic plate or Tempered glass	
Strengthened integral frame	●	●
Integrated collecting bucket	●	●
Integral waterproof doorframe	●	●
Self-powered unit requires no wiring	●	●
Independent butt & Battery collection	●	●
Customized Internal Bin	●	●
Ventilation device	●	●
Capacity		
Customized Internal Bin	100L	100L
Advertising Window Dimensions		
Length(mm)	1800	1800
Width(mm)	840	840

Material, Colors & Sizes all Customizable

Solar Advertising Trash Bin H2

Technical Specifications Sheet



Packaging:

- Fully Assembled
- Flat Packed

Flat packed requires assembly by a qualified tradesperson on site. Incorrect assembly or assembly by unqualified person/s will void warranty.

SIGNAGE:



Tailored - provide artwork

MOUNTING:

- Surface Fixed
- Freestanding

Model	Solar Advertising Trash Bin	Solar Rolling Ads Trash Bin
Overall Dimensions		
Height(mm)	2930	2930
Length(mm)	1200	1200
Width(mm)	450	450
Power & Electronics		
Monocrystalline silicon cell PV module	100 watts	100 watts
Sealed maintenance-free battery	12V100AH	12V100AH
Auto rolling system	○	●
Material & Design		
Material	Galvanized Steel/Stainless Steel	
Advertising window	Acrylic plate or Tempered glass	
Strengthened integral frame	●	●
Integrated collecting bucket	●	●
Integral waterproof doorframe	●	●
Self-powered unit requires no wiring	●	●
Independent butt & Battery collection	●	●
Triangular security Key	●	●
Capacity		
Customized Internal Bin	120L	120L
Advertising Window Dimensions		
Length(mm)	1530	1530
Width(mm)	1000	1000



Solar Advertising Trash Bin H3

Technical Specifications Sheet



Model	Solar Advertising Trash Bin	Solar Rolling Ads Trash Bin
Overall Dimensions		
Height(mm)	2700	2700
Length(mm)	1200	1200
Width(mm)	450	450
Power & Electronics		
Monocrystalline silicon cell PV module	100 watts	100 watts
Sealed maintenance-free battery	12V100AH	12V100AH
Auto rolling system	○	●
Material & Design		
Material	Galvanized Steel/Stainless Steel	
Advertising window	Acrylic plate or Tempered glass	
Strengthened integral frame	●	●
Integrated collecting bucket	●	●
Integral waterproof doorframe	●	●
Self-powered unit requires no wiring	●	●
Independent butt & Battery collection	●	●
Triangular security Key	●	●
Capacity		
Customized Internal Bin	120L	120L
Advertising Window Dimensions		
Length(mm)	1300	1300
Width(mm)	1000	1000

Packaging:

- Fully Assembled
- Flat Packed

Flat packed requires assembly by a qualified tradesperson on site. Incorrect assembly or assembly by unqualified person/s will void warranty.

SIGNAGE:



Tailored - provide artwork

MOUNTING:

- Surface Fixed
- Freestanding

Solar Advertising Trash Bin H4

Technical Specifications Sheet



Packaging:

- Fully Assembled
- Flat Packed

Flat packed requires assembly by a qualified tradesperson on site. Incorrect assembly or assembly by unqualified person/s will void warranty.

SIGNAGE:



Tailored - provide artwork

MOUNTING:

- Surface Fixed
- Freestanding

Model	Solar Advertising Trash Bin	Solar Rolling Ads Trash Bin
Overall Dimensions		
Height(mm)	1800	1800
Length(mm)	1100	1100
Width(mm)	480	480
Power & Electronics		
Monocrystalline silicon cell PV module	100 watts	100 watts
Sealed maintenance-free battery	12V100AH	12V100AH
Auto rolling system	<input type="radio"/>	<input checked="" type="radio"/>
Material & Design		
Material	Galvanized Steel/Stainless Steel	
Advertising window	Acrylic plate or Tempered glass	
Strengthened integral frame	<input checked="" type="radio"/>	<input checked="" type="radio"/>
Integrated collecting bucket	<input checked="" type="radio"/>	<input checked="" type="radio"/>
Integral waterproof doorframe	<input checked="" type="radio"/>	<input checked="" type="radio"/>
Self-powered unit requires no wiring	<input checked="" type="radio"/>	<input checked="" type="radio"/>
Independent butt & Battery collection	<input checked="" type="radio"/>	<input checked="" type="radio"/>
Triangular security Key	<input checked="" type="radio"/>	<input checked="" type="radio"/>
Capacity		
Customized Internal Bin	120L	120L
Advertising Window Dimensions		
Length(mm)	800	800
Width(mm)	1100	1100