

Flat-packed container house



Steel structure, villa house, container, prefab house

CONTENTS

- 1 Advantages and Applications
- 2 Specifications
- 3 Manufacturing details
- 4 Project case



Advantages:

- 1-Quick and simple install on site.** **90% finished in factory:** included the roof & floor system already welded and assembled in workshop, Electrical system embedded. All window panel and door panel pre-cut in workshop, Make less work on site, save time!
- 2-Economical and durable material.** With Q235B galvanized steel structure as the skeleton, it has strong seismic resistance and deformation resistance, good sealing performance, strong and durable.
- 3-Recyclable and low cost.** **20 years Life span,** and can be recycled and reused, avoiding the situation of idle resources, making the cost more low.
- 4-Module design, easy to transport and install.** **Applicable to transport by sea or land,** saving transportation cost. Close range can prefabricated assembly in the factory, hoisting to on site.

Applications:



Worker camp



Site office



Hospital sickroom



Low cost housing



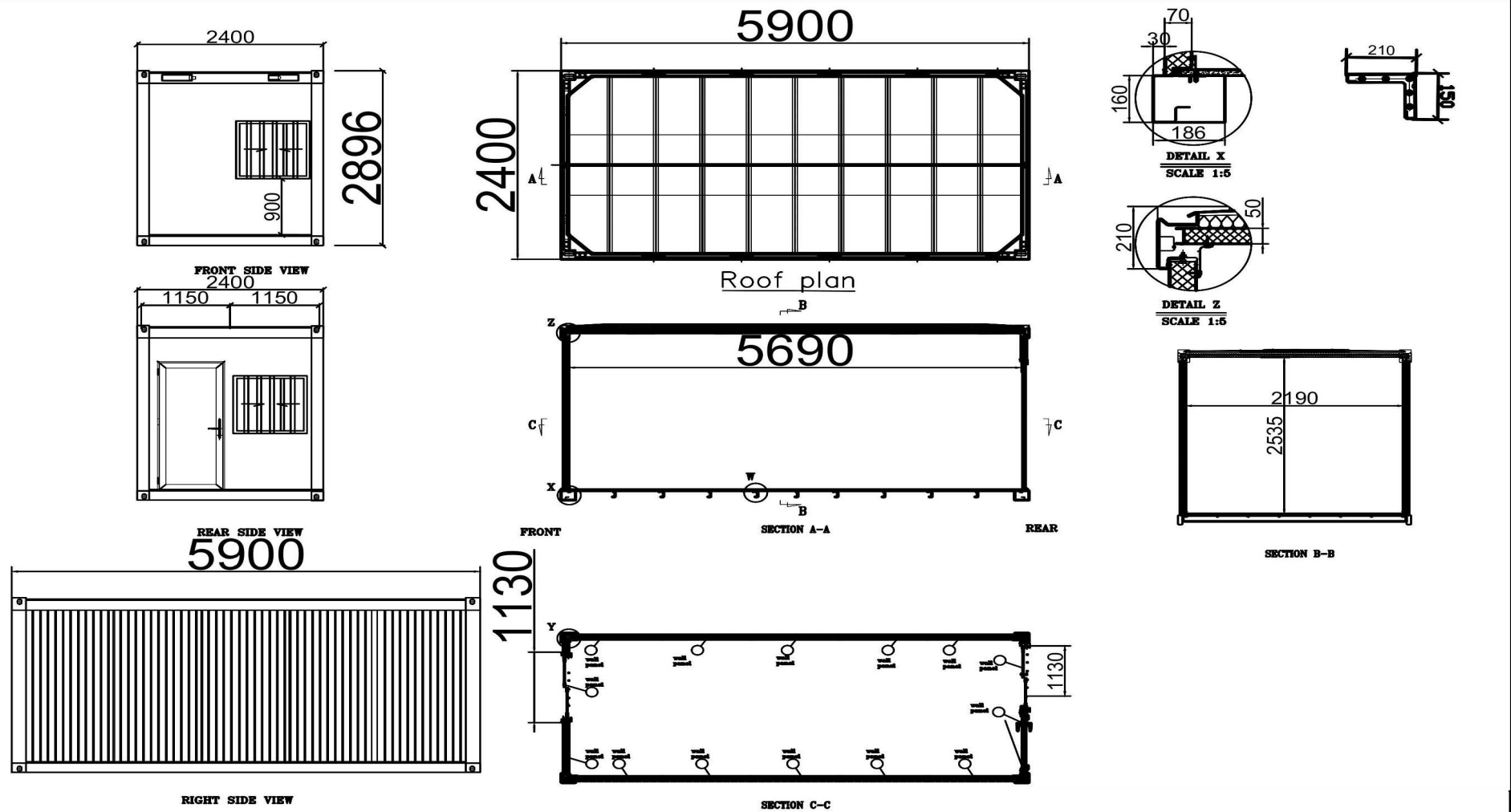
Toilet & cabin

Specification



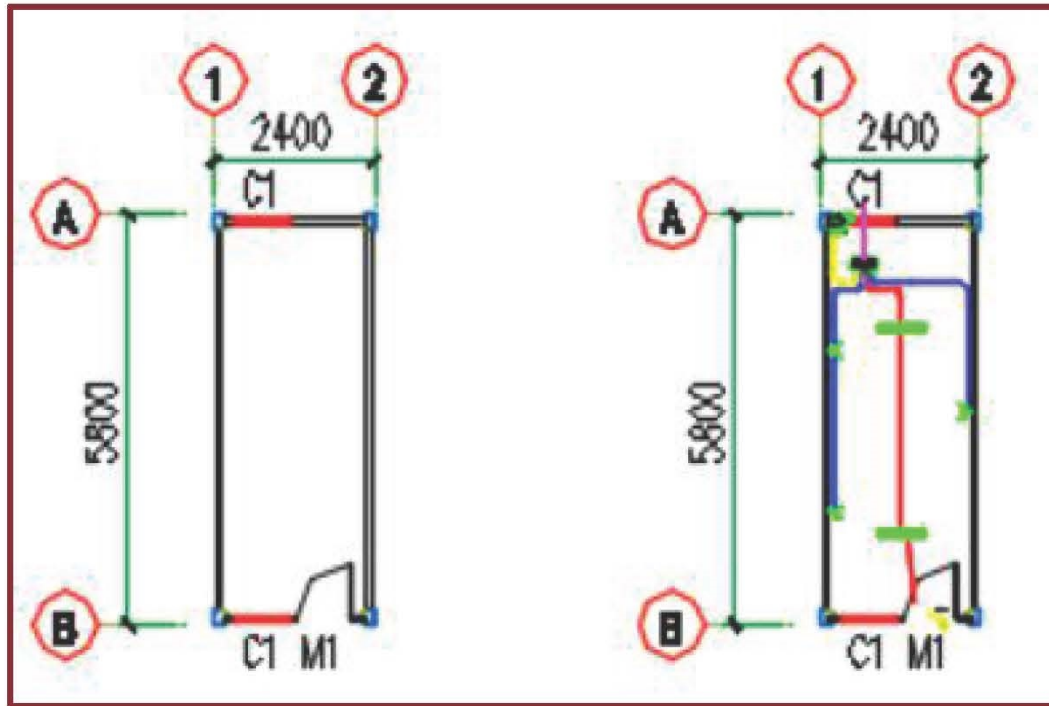
House Code FP-20	
Size (W*L*H)mm	Exterior: 2400*5900*2896
	Interior: 2190*5695*2600
Anti-seismic Degree	7 Degree
Wind Load	120 Km/H
Roof Load	30 Kg/m ²
Floor load	200kg/m ²
Packing	8 Units/40HQ :50mm panel 6units/40HQ: 75mm panel
Available stack up	2~4 floors
Installation time	2 person in 2 hours with crane

Drawing:

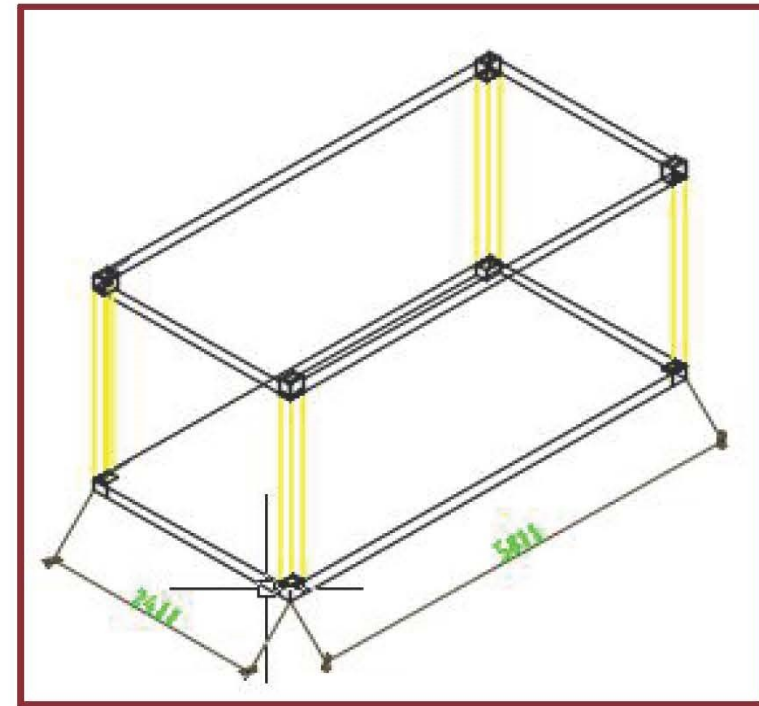


Project Name		6mX24mX6m		
#M/Mapping	#P/Proof	#R/Version	V1	
#S/Design	#R/Review	#R/No.	IS-01	
#P/Profession	#R/Approve	#R/Date	2020.01.11	
EMBEDDED BOLTS ARRANGEMENT				

Drawing:

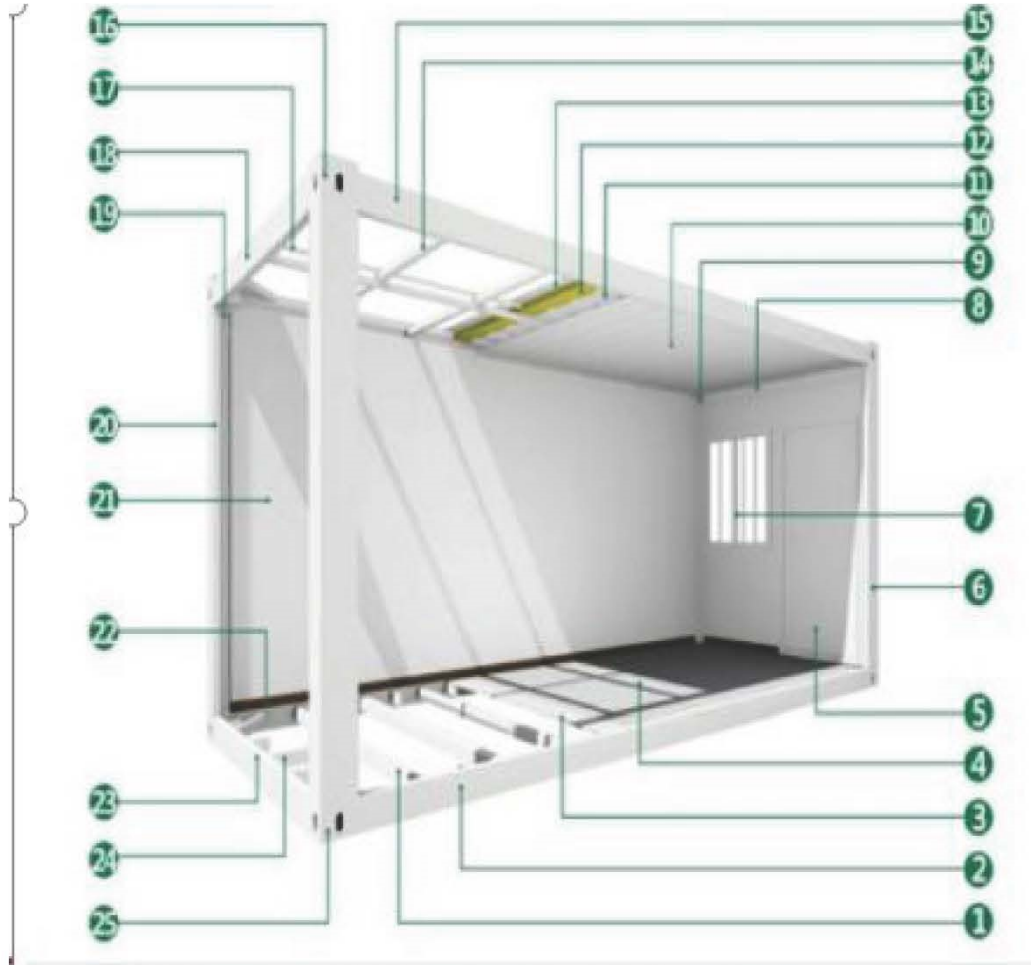


Electrical Plan



Main structure

Component:



NO.	Materials	No.	Materials
1	sub-beam for floor	14	Sub-beam for roof
2	Floor beam	15	Roof beam
3	18mm fiber cement board	16	Top angle corner
4	2.0mm PVC flooring covering	17	Roof cross beam
5	HG steel door	18	Roof side beam
6	Steel column	19	Ø50 PVC rainspout
7	Window	20	Steel column
8	Top steel angle line	21	Wall panel
9	column interior cover	22	PVC skirting
10	Steel ceiling	23	floor sid beam
11	Roofing sheet	24	Floor cross beam
12	Insulation wool layer	25	Bottom angle corner
13	Exterior 360° roofing steel	26	Electrical part: With standard electricity and LED tube, socket, switch.

We have 4 kinds of Spec of the flat packed container with difference price. please contact our sales team to ask for the details list!

Producing details:



Welding



Polishing



Manual printing



Electrical install.



Ceiling fixing.

Packing&loading details:



Modular packing



Completed protecting



Quick loading

Medical container 3D drawing:

Temporary Emergency room

Temporary Clinic room

Temporary Quarantine room



Project case:

Hospital project



Project case:

Site camp:

#site office

meeting room

#toilet

#canteen



Project case:

Accommodation project

worker quarter

Student accommodation

Quarantine building



Project case:

School project





Flat packed container



Detachable container



Portable cabin



Portable home



**Steel structure
warehouse/building**



Steel villa house



Prefab office



Prefab worker camp

Please contact us for more details!