

Product description

Duplex system R800/R900

Mobile track mounted impact crusher R900

Mobile track mounted jaw crusher R800



Kormann Rockster Recycler GmbH - Wirtschaftszeile West 2, 4482 Ennsdorf, Austria
Tel.: +43 (7223) 81 000, Fax.: +43 (7223) 81 000 329, E-mail: office@rockster.at

www.rockster.at

ROCKSTER[®]
RECYCLER

From jaw crusher to impact crusher - in shortest time

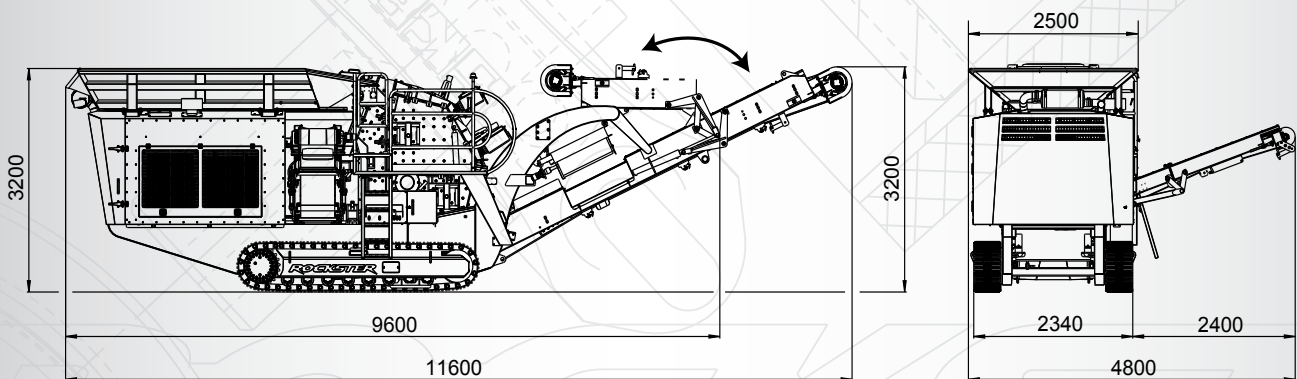
Within a few hours the track mounted crushing plant R800 can be changed from jaw crusher to an impact crusher (R900) - and vice versa.

Therefore the plant can be optimized to the dif-

ferent requirements of the feeding material and guarantees a versatile operation.



Main dimensions



Transport dimensions:

Length: 9,60 m | 31.5 ft
 Width: 2,50 m | 8.2 ft
 Height: 3,20 m | 10.5 ft

Transport Weight: R900: 25,2 t | 55,600 lbs
 R800: 25,7 t | 56,700 lbs

Feeding height:

3,20 m | 10.5 ft

Discharge height:

Main discharge belt: ~ 3,2 m | 10.5 ft
 Side discharge belt: ~ 2,3 m | 7.6 ft

Application areas of Duplex R900 - R800

One machine - unlimited possibilities!

In order to **optimize the machine utilization** and to guarantee a **versatile operation** of the crushing plant, the Rockster team has developed the unique and patented Duplex System which enables the customer to **change the single crushing units**. Both units can be installed on the same chassis and **changed from jaw crusher into impact crusher** in short time - and vice versa.

The **track mounted crushing plant** convinces as **impact crusher R900** with perfect cubic final grain quality and highest performance and allows flexible operation in recycling of asphalt, concrete and rubble. As **jaw crusher R800** it is the ideal solution for any applications which demand highest requirements to the wear parts in recycling of toughest aggregates and in virgin stones.

The Duplex-System is the optimal solution for recycling & processing of:

concrete



demolition debris



asphalt



bricks



virgin stone



The result: perfect final grain

Technical details

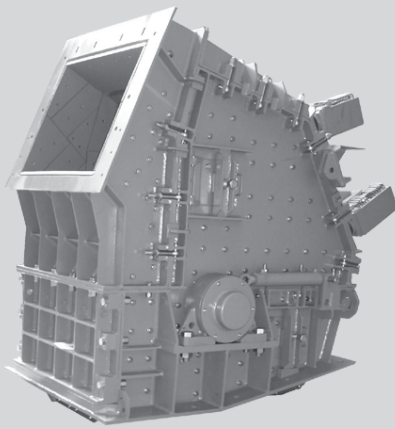
Duplex-System - unique and flexible

The **track-mounted crushing plants R900/R800** are installed fully hydraulically and based on the same basic chassis.

The hydrostatic drive system allows a **clockwise or anti-clockwise operation** of the crusher. So it is possible to install both crushing units on the

same basic frame and the machine can be changed from **impact crusher to jaw crusher - and vice versa** - in shortest time.

Therefore the plant is applicable for a wide spectrum of operations and the machine utilization is maximized.



The **Rockster** impact crusher guarantees **highest performance** at a very high crushing ratio. Due to 2 hydraulically adjustable swing-beams, as well as **variation of the rotor speed**, the final grain can be

Impact crusher

Inlet opening:	900 x 720 mm 36 x 29 in
Impact circle diameter:	1020 mm 41 in
Rotor:	4 hammers
Crushing ratio:	1:10 - 1:50
Performance:	up to 240 t/h 270 st/h
Rotor speed:	up to 850 rpm
Weight:	7.550 kg 16,645 lbs
Drive:	hydrostatic
Gap adjustment:	hydraulic

optimally influenced. The quality of the hammers is chosen individually, depending on the application and can be used bilaterally.

High quality wear materials ensure reduced wear.



The hydraulic adjustable **Rockster jaw crusher** is the ideal solution for all operations requiring highest demands on the wear parts.

Jaw crusher

Inlet opening:	800 x 500 mm 32 x 20 in
Crushing ratio:	1:8
Performance:	up to 120 t/h 140 st/h
Speed adjustment:	0 - 320 rpm
Weight:	8.000 kg 17,637 lbs
Drive:	hydrostatic
Gap adjustment:	hydraulic
Free discharge height:	420 mm 17 in

Even under toughest the R800 guarantees highest crushing power and lowest wear.

Technical details



Drive:

Engine: VOLVO TIER3 200 kW | 268 hp
VOLVO TIER4f 210 kW | 282 hp
electronically regulated
Cylinder: 6
Cooling system: water

The drive system is located at the rear of the machine, enclosed in a sound-proofed housing. For maintenance and service purposes the casing can be opened completely on all sides.

The hydraulic pump for all auxiliary drives (main discharge belt, side discharge belt, vibration chute, crawler gear...) as well as the pump for the hydrostat

are driven via a distributing gear unit which is flange-mounted on the drive engine.

The hydrostat activates the crusher via a V-belt drive.

Advantages of the hydrostatic drive:

- individually **adjustment of crusher speed**
- adjustment of rotating direction (R800)
- the usual **clutch is replaced**



Feedhopper:

Material: Hardox 400
Volume: 4 m³ | 5.3 yd³
Feeding length: 3800 mm | 12.5 ft
Feeding width: 2500 mm | 8.2 ft
Feeding height: 3200 mm | 10.5 ft



Vibration chute with pre-screening:

Material: Hardox 450
Length pre-screening: 1200 mm | 4.0 ft
Width: 900 mm | 3 ft
Type: ZigZag
Option: bar screen
Drive: hydraulic
infinitely variable



Bypass:

The switchable chute (Bypass) allows the discharge of the pre-screened material on the side or main discharge belt.

Easy switch via hand gear -

no special assembly necessary!

Technical details



Main discharge belt:

Belt width: 1000 mm | 40 in
Discharge height: ~ 3,2 m | 10.5 ft
Angle: 26°
Drive: hydraulic, continuously variable
The main discharge belt is foldable hydraulically for transport.



Side discharge belt:

Belt width: 500 mm | 20 in
Discharge height: ~ 2,3 m | 7.6 ft
Angle: 20°
Drive: hydraulic
The side discharge belt is foldable hydraulically for transport.



Magnetic separator:

Type: Permanent magnet
Belt width: 750 mm | 30 in
Weight: 1200 kg | 2,645 lbs
Drive: hydraulic



Caterpillar crawler:

Tread width: 400 mm | 16 in
slanted
Wheel base: 2900 mm | 9.6 ft
Surface: triple ribbed pads
Drive: 2-speed hydraulic



Control panel:

Central control/operating unit ensures an easy operation and machine monitoring in connection with a remote control.

Special features



Environmental Compatibility:

Reduction of emissions through:

- efficient dust suppression and
- sound-proofed housing



Easy service & ideal accessibility:

The large-scale covers allow an optimal accessibility for service and maintenance and furthermore ensure the best ventilation of the drive-unit and the cooler.

Options:



belt weigh scale



water pump



central lubrication



main belt - wear protection
(only for R900)



air compressor



sound protection cover



hammer exchange system
(only for R900)

Option: Screening system Screenbox RS83 + return belt RB75



Defined final grain in one workflow:

The optional screening system - consisting of the compact circular vibrating screen RS83 in combination with the return belt RB75 - is the perfect addition for the track-mounted R900 and R800 (impact crusher and jaw crusher) for the production of 100 % defined final grain. The components are mounted directly on the main discharge belt and are driven through the additional hydraulic system of the crushing plant.



Technical Details:

Screen size: 1830 x 1200 mm | 6.0 x 4.0 ft
Standard screen: 38 mm | 1.5 in
Special meshes on demand.

Discharge conveyor fines:

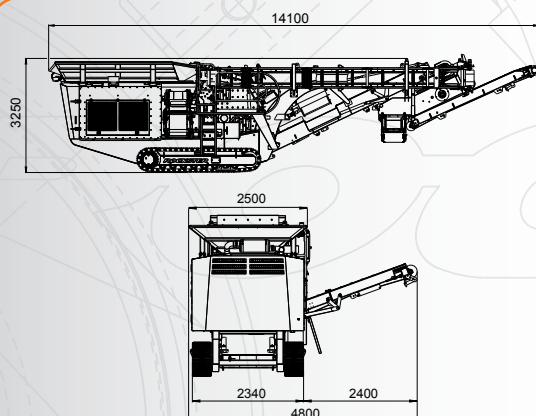
Belt width: 800 mm | 32 in
Discharge height: ~ 3,2 m | 10.5 ft

Discharge conveyor oversize grain:

Belt width: 500 mm | 20 in

RB75 return belt:

Belt width: 400 mm | 16 in



Transport dimensions R800/R900+RS83+RB75:

Length: 14,10 m | 46.3 ft
Width: 2,50 m | 8.2 ft
Height: 3,25 m | 10.7 ft
Total weight: R900 - 28,6 t | 63,100 lbs
R800 - 29,1 t | 64,200 lbs

General information

The company

The company **Kormann Rockster Recycler GmbH** specializes in the development and production of mobile crushing and screening systems. The Rockster-team consists exclusively of long-time market insiders, each bringing **years of experience** into perfecting the Rockster design concept, as well as being personally available to share their expertise with customers.

Customer orientation and maximum customer care is the ultimate ambition of all Rockster products and services.

The key criteria specified by Rockster are **maximum performance** and **quality**, operating and maintenance friendliness as well as easy transportation due to **compact dimensions** and low weight.

The ROCKSTER concept

RELIABILITY - maximum reliability due to the highest product quality standards.

OPERATING EFFICIENCY - higher operational efficiency due to the transport dimensions (easy transport – no special permits in many cases), simple maintenance and handling.

CAPACITY - higher production capacity as a result of special high-speed rotor and enormous power reserves for the drive systems.

KNOWLEDGE - many years of practical experience in advanced machine design creates tremendous value for customers.

SERVICE - round-the-clock service and support is the company hallmark, with rapid response and immediate availability of spare and wear parts.

TECHNOLOGY - using industry-standard brand components assures adherence to the highest technical standard.

ENVIRONMENT FRIENDLY - engineered to meet the highest environmental standards with the installation of low-pollution engines and complex sound suppression systems.

REVENUE - designed to meet customers' revenue and return-on-investment requirements due to low investment and operating costs, plus the unique advantages of the DUPLEX system – maximizing machine utilization with multiple crusher capabilities on one carrier.

www.rockster.at

Print and punctuation errors excepted. Content is subject to change without notice.

Kormann Rockster Recycler GmbH - Wirtschaftszeile West 2, 4482 Ennsdorf, Austria
Tel.: +43 (7223) 81 000, Fax.: +43 (7223) 81 000 329, E-mail: office@rockster.at



ROCKSTER[®]
RECYCLER